



CHEETAH



CHEETAH - XLS
ASSEMBLY MANUAL
AND
PARTS LIST



Section 1 Table of Contents

Section 1	Table of Contents	1.2
Section 2	Amendment record	2.0
Section 3	General	3.1
Section 4	Symbols0
Section 5	Fuselage centre bracket.....	5.1
Section 6	Main fuselage section.....	6.1
Section 7	Cockpit centre tube	7.1
Section 8	Engine mounting & front cabin strut	8.1
Section 9	Cockpit assembly top	9.3
Section 10	Cockpit assembly bottom	10.1
Section 11	Fuselage assembly top	11.1
Section 12	Fuselage assembly bottom	12.1
Section 13	Cockpit & fuselage assembly	13.3
Section 14	Fuselage cross section	14.1
Section 15	Battery mounting.....	15.1
Section 16	Fuel tank support tube	16.1
Section 17	Fuselage diagonal struts	17.1
Section 18	Cockpit diagonal support tubes	18.1
Section 19	Brake hub & shoes	19.1
Section 20	Rear axle & tension struts	20.1
Section 21	Rear suspension.....	21.1
Section 22	Rear wheel & brake assembly.....	22.1
Section 23	Rear wheels installation	23.1
Section 24	Landing gear installation	24.1
Section 25	Fuselage sail installation	25.1
Section 26	Vertical stabilizer	26.1
Section 27	Vertical stabilizer installation	27.1
Section 28	Fuselage sail fastening	28.1
Section 29	Fuselage sail front end	29.1
Section 30	Fuselage sail top & bottom.....	30.1
Section 31	Fuselage sail & frame	31.1
Section 32	Rudder pedals.....	32.2
Section 33	Joystick pulley assembly	33.1
Section 34	Joystick assembly.....	34.1
Section 35	joystick installation	35.1
Section 36	Flap handle	36.1
Section 37	Flap handle installation	37.1
Section 38	Flap push rods installation.....	38.1
Section 39	Main Fairing.....	39.1
Section 40	Main fairing (Rotax & Jabiru)	40.3
Section 41	Main fairing installation	41.1
Section 42	Cabin struts (top & bottom).....	42.2
Section 43	Battery Installation	43.2
Section 44	Front fork & wheel.....	44.1
Section 45	Front fork & wheel with fairing.....	45.1
Section 46	Front fork installation	46.1
Section 47	Front fork installation continued	47.1





Section 48 Front fork installation continued 48.1

Section 49 Front fork installation continued 49.1

Section 50 Safety BELTS 50.1

Section 51 Rear wheel fairing..... 51.1

Section 52 Seat installation..... 52.1

Section 53 Centre consol..... 53.1

Section 54 Centre consol & fire wall 54.1

Section 55 Control stick cover 55.1

Section 56 Throttle control 56.1

Section 57 Arm rest installation 57.1

Section 58 Aileron control butterfly 58.1

Section 59 Flap bell crank 59.1

Section 60 Leading edge tube..... 60.1

Section 61 Trailing edge tube 61.1

Section 62 Wing frame..... 62.2

Section 63 Wing stretch mechanism 63.1

Section 64 Wing sail instalation..... 64.1

Section 65 Wing battens installation 65.1

Section 66 Flap assembly 66.1

Section 67 Aileron assembly 67.1

Section 68 Wing strut assembly 68.1

Section 69 Wing strut installation 69.1

Section 70 Wing installation 70.1

Section 71 Wing installation continued 71.1

Section 72 Aileron & flap installation 72.1

Section 73 Wing tip installation..... 73.1

Section 74 Wing tip installation continued 74.1

Section 75 Wing tip installation continued 75.1

Section 76 Wing tip installation continued 76.1

Section 77 Wing tip installation continued 77.1

Section 78 Horizontal stabilizer 78.1

Section 79 Horizontal stabilizer installation 79.1

Section 80 Horizontal stabilizer installation 80.1

Section 81 Control system cables 81.2

Section 82 Control system cables installation 82.1

Section 83 Control system push rods..... 83.1

Section 84 Elevator assembly..... 84.1

Section 85 Elevator assembly assembly..... 85.1

Section 86 Elevator installation..... 86.1

Section 87 Elevator trim..... 87.2

Section 88 Rudder assembly 88.1

Section 89 Rudder installation 89.1

Section 90 Brake cable installation..... 90.1

Section 91 Brake cable installation..... 91.1

Section 92 Thottle & choke cable 92.3

Section 93 Fuel line installation..... 93.3

Section 94 Battery installation 94.1

Section 95 Rotax 582 installation 95.1

Section 96 Rotax 582 exhauts system..... 96.2

Section 97 Rotax 582 cooling system..... 97.1

Section 98 Rotax 912 installation 98.2

Section 99 Rotax 912 installation continued 99.1





Section 100 Rotax 912 installation continued 100.1

Section 101 Rotax 912 installation continued 101.1

Section 102 Water cooling system 102.1

Section 103 Oil cooling system 103.1

Section 104 Fuel line installation 104.1

Section 105 Rotax 912 exhaust system 105.1

Section 106 Rotax 582 wiring diagram 106.7

Section 107 Instrument pannel 107.1

Section 108 Windscreen installation 108.1

Section 109 Windscreen installation 109.1

Section 110 Windscreen installation 110.1

Section 111 Windscreen installation 111.0

Section 112 Door frame & wing fairing 112.1

Section 113 Door assembly 113.2

Section 114 Door installation 114.1

Section 115 Cowling assembly 115.1

Section 116 Cowling installation 116.1

Section 117 Luggage compartment 117.1

Section 118 Wing compartment 118.1

Section 119 Sun shield 119.1

Section 120 Antena & spot light 120.1

Section 121 Prop installation 582 121.1

Section 122 Prop installation 912 122.1

Section 123 Aileron aerodynamic compinsator 123.1

Section 124 Rudder trim 124.1

Section 125 Cabin heater system 125.1

Section 126 Elevator setup 126.0

Section 127 Rudder setup 127.0

Section 128 Aileron setup 128.0

Section 129 Flap setup 129.0

Section 130 Cable tensions 130.0

Section 131 Throttle and choke safety wire 131.0

Section 132 Exhaust strap 132.1

Section 133 Decals 133.0





Section 2 Amendment record

Revision/Amendment record sheet

Section	Rev No	Rev Date
1	Revision 0	July 2009
2	Revision 0	July 2009
3	Revision 0	July 2009
4	Revision 0	July 2009
5	Revision 0	July 2009
6	Revision 0	July 2009
7	Revision 0	July 2009
8	Revision 0	July 2009
9	Revision 0	July 2009
10	Revision 0	July 2009
11	Revision 0	July 2009
12	Revision 0	July 2009
13	Revision 0	July 2009
14	Revision 0	July 2009
15	Revision 0	July 2009
16	Revision 0	July 2009
17	Revision 0	July 2009
18	Revision 0	July 2009
19	Revision 0	July 2009
20	Revision 0	July 2009
21	Revision 0	July 2009
22	Revision 0	July 2009
23	Revision 0	July 2009
24	Revision 0	July 2009
25	Revision 0	July 2009
26	Revision 0	July 2009
27	Revision 0	July 2009
28	Revision 0	July 2009
29	Revision 0	July 2009
30	Revision 0	July 2009
31	Revision 0	July 2009
32	Revision 0	July 2009
33	Revision 0	July 2009
34	Revision 0	July 2009
35	Revision 0	July 2009
36	Revision 0	July 2009
37	Revision 0	July 2009
38	Revision 0	July 2009
39	Revision 0	July 2009
40	Revision 0	July 2009
41	Revision 0	July 2009
42	Revision 0	July 2009
43	Revision 0	July 2009
44	Revision 0	July 2009
45	Revision 0	July 2009
46	Revision 0	July 2009
47	Revision 0	July 2009
48	Revision 0	July 2009
49	Revision 0	July 2009
50	Revision 0	July 2009

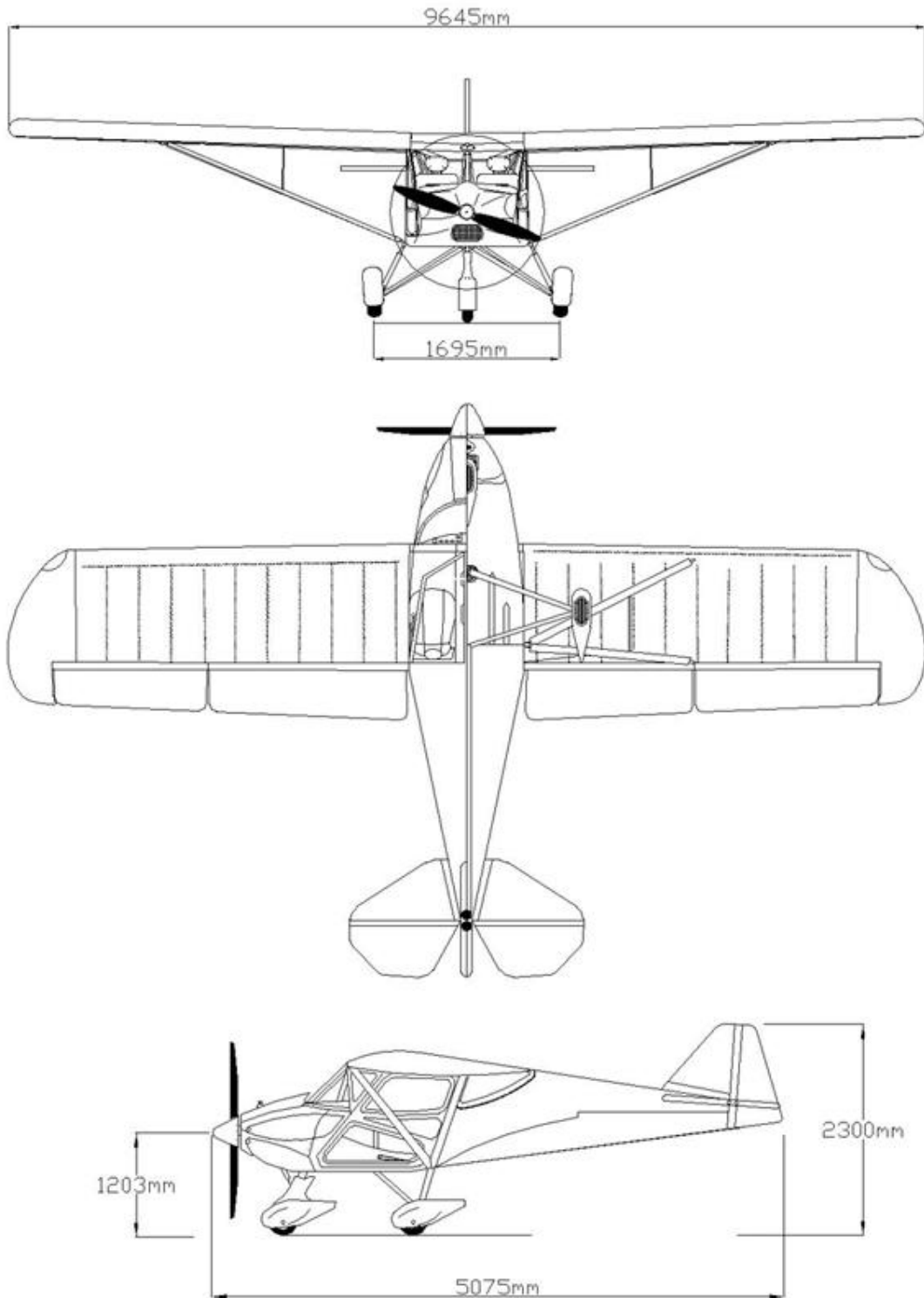
Section	Rev No	Rev Date
51	Revision 0	July 2009
52	Revision 0	July 2009
53	Revision 0	July 2009
54	Revision 0	July 2009
55	Revision 0	July 2009
56	Revision 0	July 2009
57	Revision 0	July 2009
58	Revision 0	July 2009
59	Revision 0	July 2009
60	Revision 0	July 2009
61	Revision 0	July 2009
62	Revision 0	July 2009
63	Revision 0	July 2009
64	Revision 0	July 2009
65	Revision 0	July 2009
66	Revision 0	July 2009
67	Revision 0	July 2009
68	Revision 0	July 2009
69	Revision 0	July 2009
70	Revision 0	July 2009
71	Revision 0	July 2009
72	Revision 0	July 2009
73	Revision 0	July 2009
74	Revision 0	July 2009
75	Revision 0	July 2009
76	Revision 0	July 2009
77	Revision 0	July 2009
78	Revision 0	July 2009
79	Revision 0	July 2009
80	Revision 0	July 2009
81	Revision 0	July 2009
82	Revision 0	July 2009
83	Revision 0	July 2009
84	Revision 0	July 2009
85	Revision 0	July 2009
86	Revision 0	July 2009
87	Revision 0	July 2009
88	Revision 0	July 2009
89	Revision 0	July 2009
90	Revision 0	July 2009
91	Revision 0	July 2009
92	Revision 0	July 2009
93	Revision 0	July 2009
94	Revision 0	July 2009
95	Revision 0	July 2009
96	Revision 0	July 2009
97	Revision 0	July 2009
98	Revision 0	July 2009
99	Revision 0	July 2009
100	Revision 0	July 2009

Section	Rev No	Rev Date
101	Revision 0	July 2009
102	Revision 0	July 2009
103	Revision 0	July 2009
104	Revision 0	July 2009
105	Revision 0	July 2009
106	Revision 0	July 2009
107	Revision 0	July 2009
108	Revision 0	July 2009
109	Revision 0	July 2009
110	Revision 0	July 2009
111	Revision 0	July 2009
112	Revision 0	July 2009
113	Revision 0	July 2009
114	Revision 0	July 2009
115	Revision 0	July 2009
116	Revision 0	July 2009
117	Revision 0	July 2009
118	Revision 0	July 2009
119	Revision 0	July 2009
120	Revision 0	July 2009
121	Revision 0	July 2009
122	Revision 0	July 2009
123	Revision 0	July 2009
124	Revision 0	July 2009
125	Revision 0	July 2009
126	Revision 0	July 2009
127	Revision 0	July 2009
128	Revision 0	July 2009
129	Revision 0	July 2009
130	Revision 0	July 2009
131	Revision 0	July 2009
132	Revision 0	July 2009
133	Revision 0	July 2009



Section 3 General

3_1 THREE VIEW

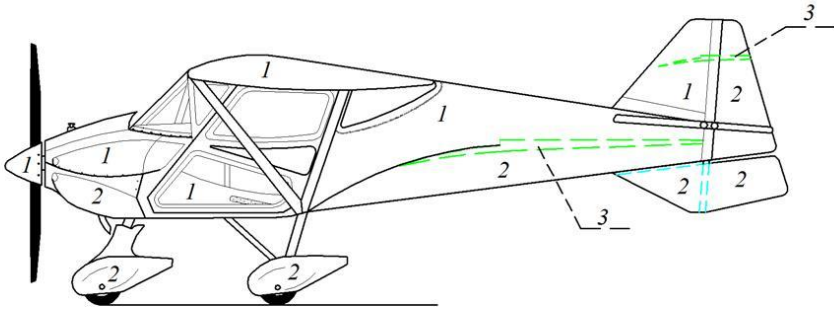
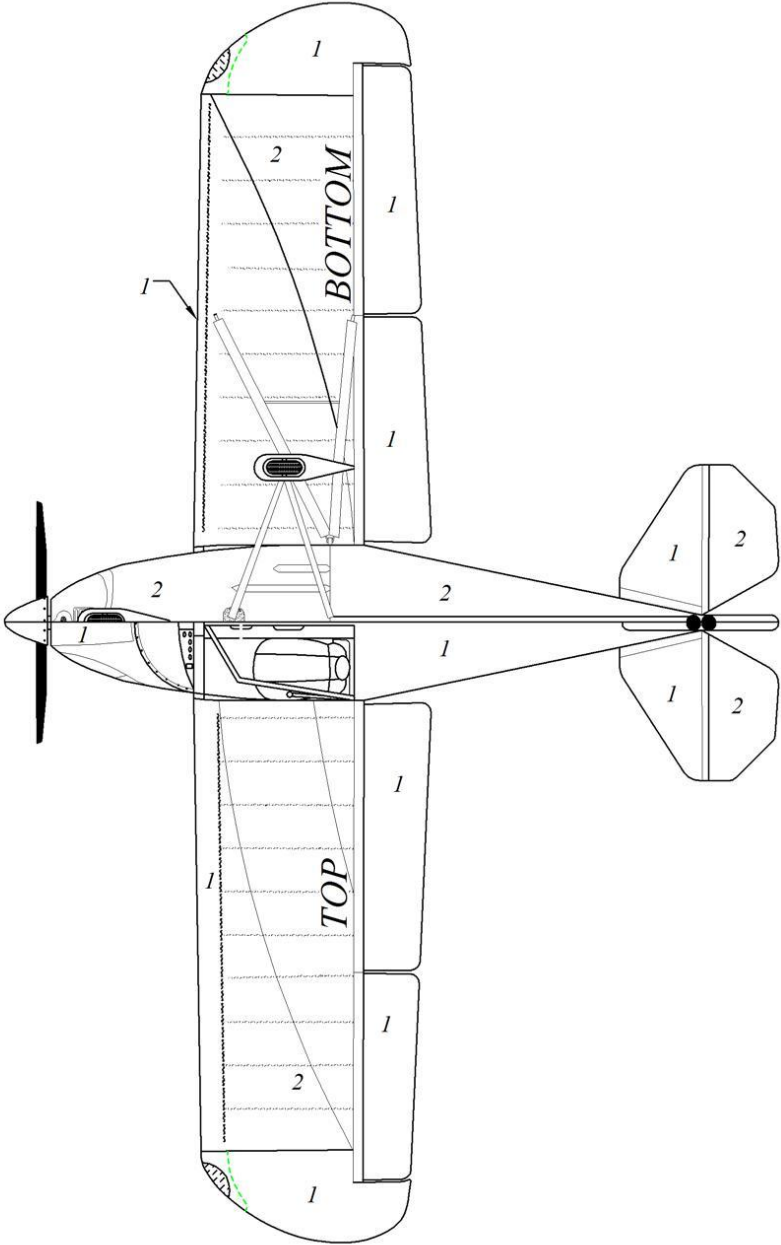




Revision	0									Dated July 2009
----------	---	--	--	--	--	--	--	--	--	-----------------



3_2 COLOUR SCHEME LAYOUT





Section 4 **SYMBOLS YOU MAY ENCOUNTER**



Attention



Spray painting



Glue or Loctite (see page for details)



Glue or Loctite (see page for details)



Drill



Pop-rivet



Rivet Nut



Screw-driver



Spanner



Crimping tool



Saw/cut



Hammer (russian spanner)... use as last resort ;-)



...



Assembly sequence

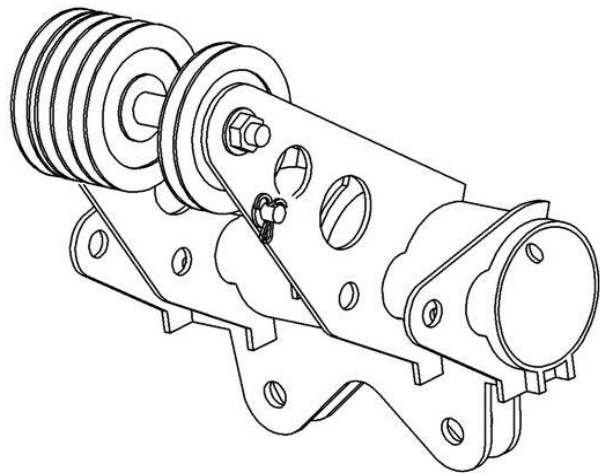
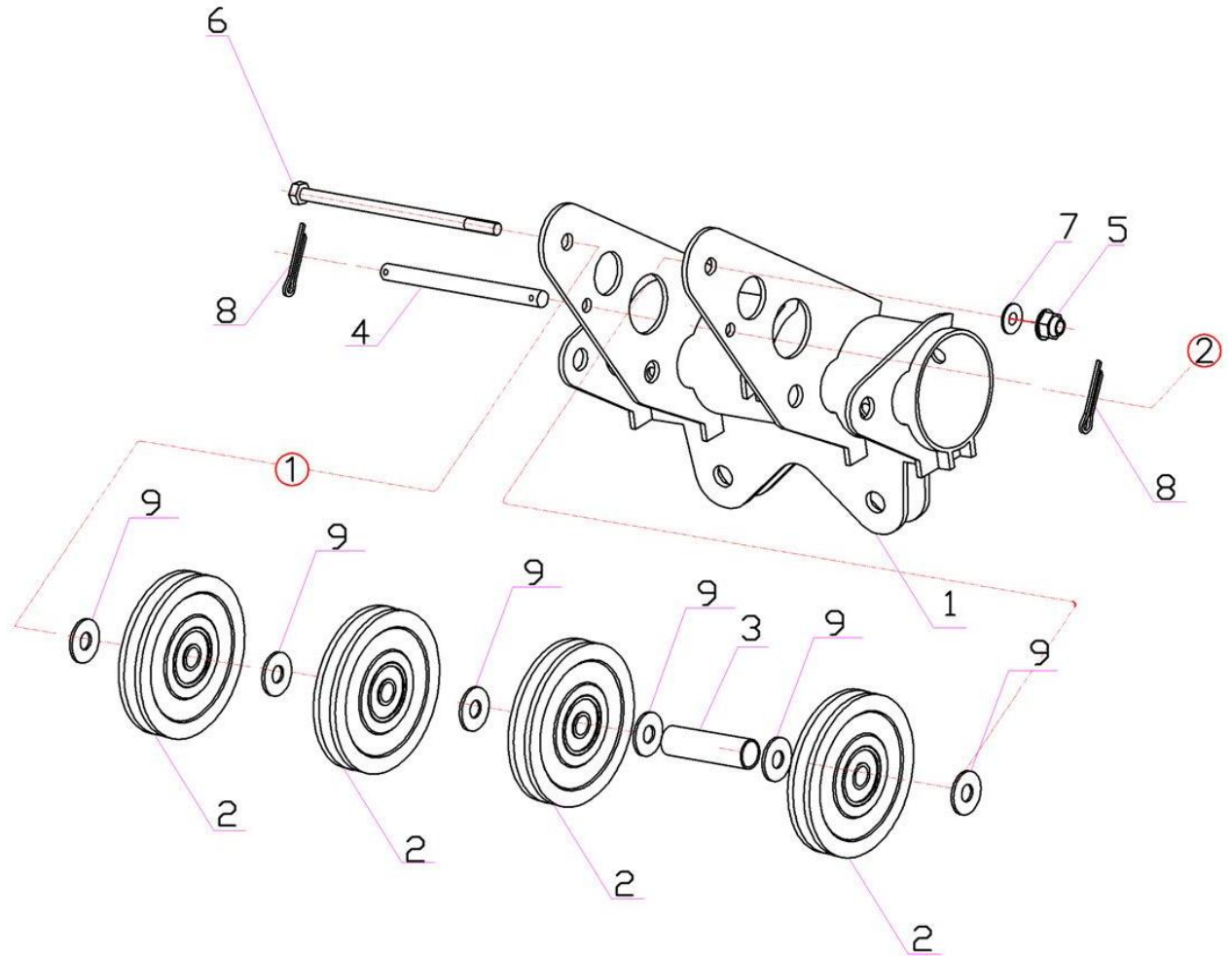


Section 5 Bottom fuselage centre bracket

No.	Description	Qty each	Qty Total	Part No:
1	Bottom fuselage centre-bracket	1	1	CH-00-12080
2	Pulley	4	4	CH-00-12290
3	Spacing Sleeve	1	1	CH-00-12438
4	Pin	1	1	CH-00-12437
5	Nylock Nut M6	1	1	
6	Bolt M6x75 (Shank 57)	1	1	
7	Washer M6 x 12	1	1	
8	Split pin di 2.0 x 20	2	2	
9	Washer M6 x 19	6	6	
10	M5 Flat washer	2	2	



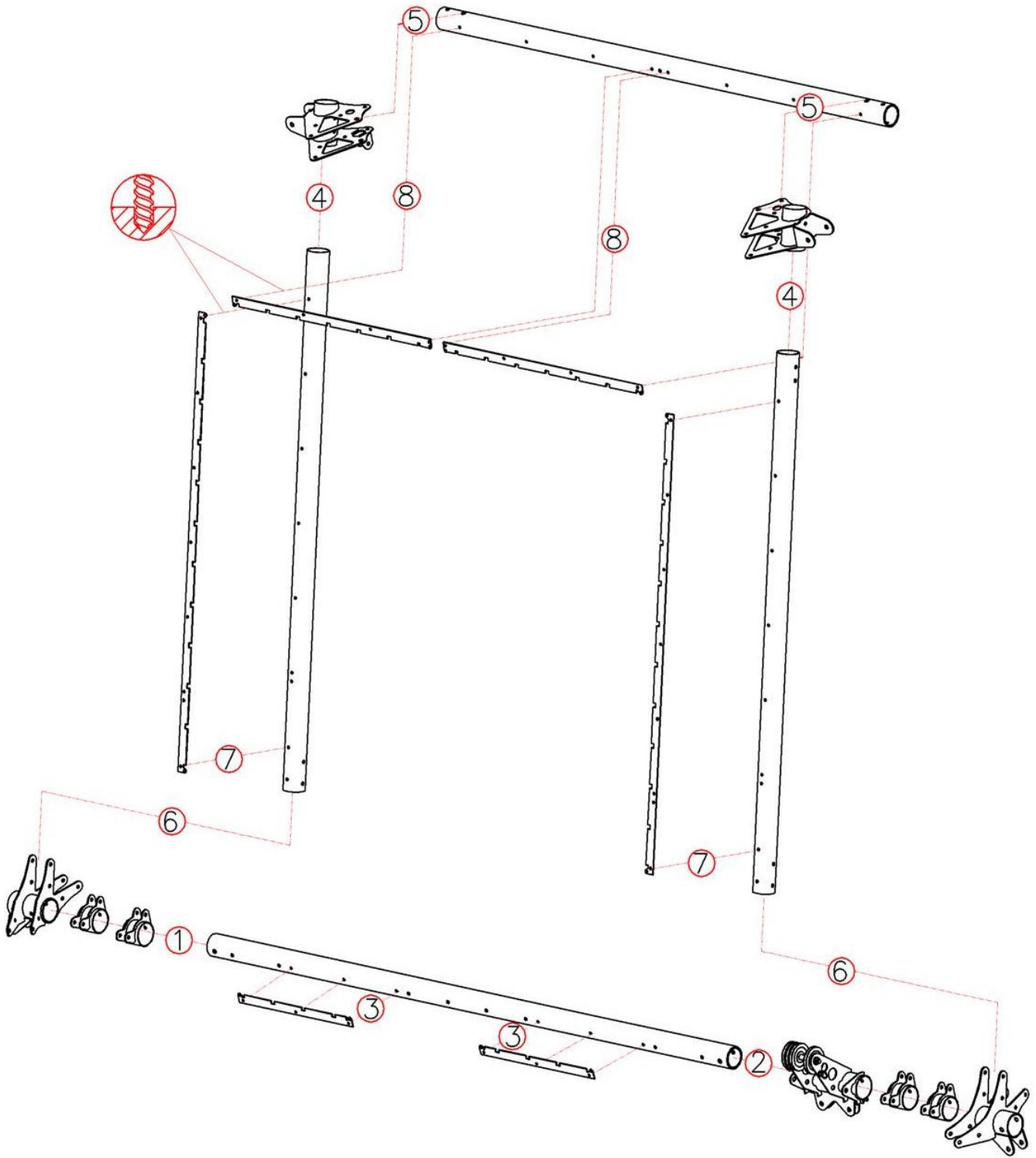
5_1 Bottom fuselage centre bracket assembly



Direction flight



Section 6 Main fuselage section assembly (overview)



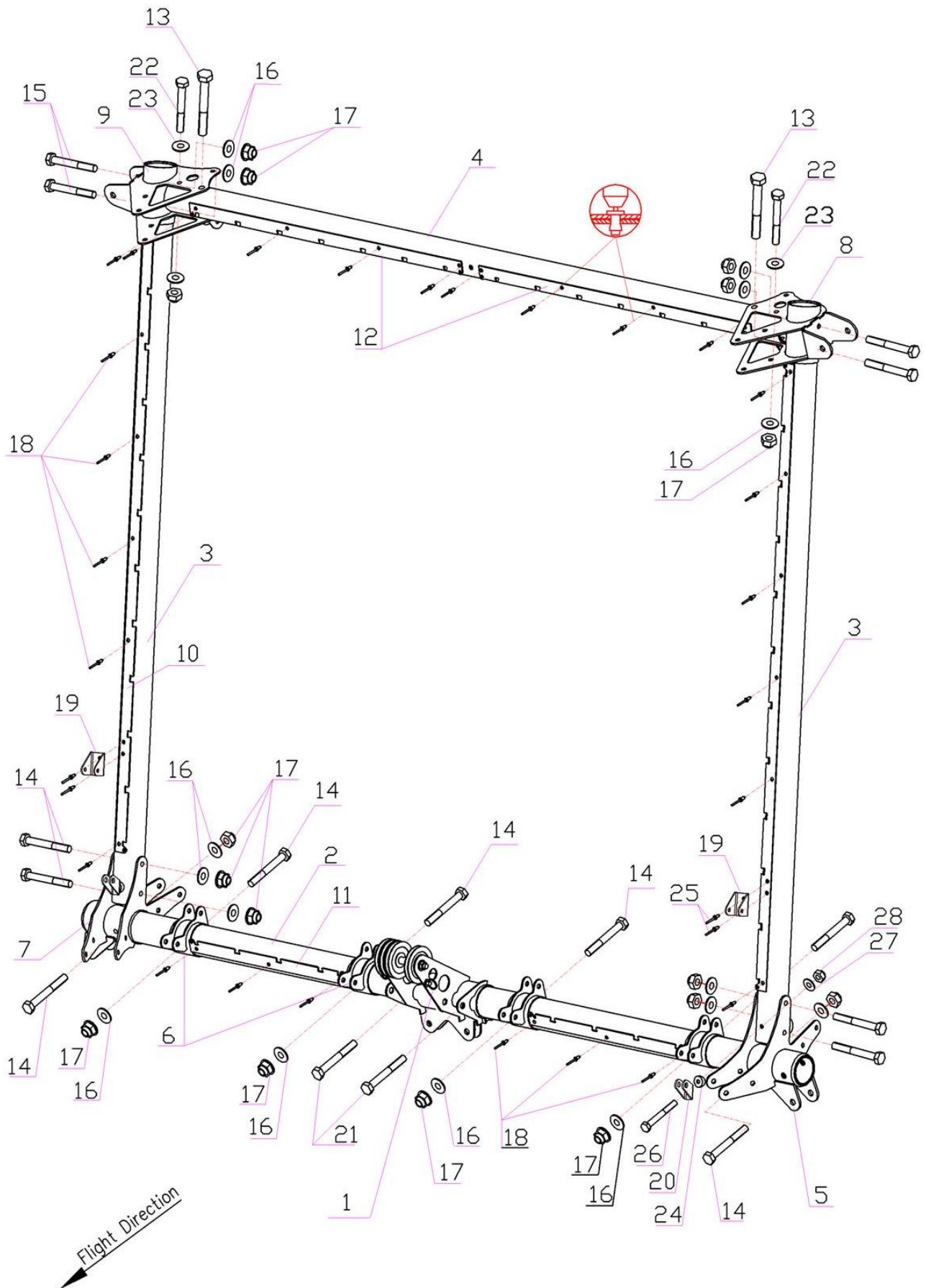
Flight Direction

**6_1 Main fuselage section assembly**

No.	Description	Qty each	Qty Total	Part No:
1	Page 4	1	1	
2	Bottom Cabin Transverse Tube	1	1	CH-00-12160
3	Back Cabin Strut	2	2	CH-00-12231
4	Top Cabin Transverse Strut	1	1	CH-00-12170
5	Bottom side cabin joining bracket - left	1	1	CH-00-12060-01
6	Armchair, pilot & passenger bracket	4	4	CH-00-12070
7	Bottom side cabin joint - right	1	1	CH-00-12060-02
8	Top side wing & fuselage joint - left	1	1	CH-00-12050-01
9	Top side wing & fuselage joint - right	1	1	CH-00-12050-02
10	Side sail attachment plate	2	2	CH-00-12232
11	Bottom sail attachment plate	2	2	CH-00-12429
12	Top sail attachment plate	2	2	CH-00-12431
13	Bolt M8 x 65 (Shank 50)	2	2	CH-00-12443
14	Bolt M6 x 55	10	10	
15	Bolt M6 x 60	4	4	
16	M6 Flat washer	16	16	
17	M6 Nylock nut	16	16	
18	4.8 x 10 pop-rivet Aluminium	30	30	
19	Arm-rest top mounting bracket	2	2	CH-00-12233-
20	Arm-rest bottom mounting bracket	2	2	CH-00-12235
21	Special Bolt M6 x 58 (Shank 48)	2	2	CH-00-12441
22	Bolt M6 x 60	2	2	
23	Washer M6 x 19	2	2	
24	Arm-rest mounting saddle washer	2	2	CH-00-12234
25	4.8 x 10 pop-rivet St. Steel	4	4	
26	Bolt M5 x 55	2	2	
27	M5 Flat washer	2	2	
28	M5 Nylock nut	2	2	



6_2 Main fuselage section assembly



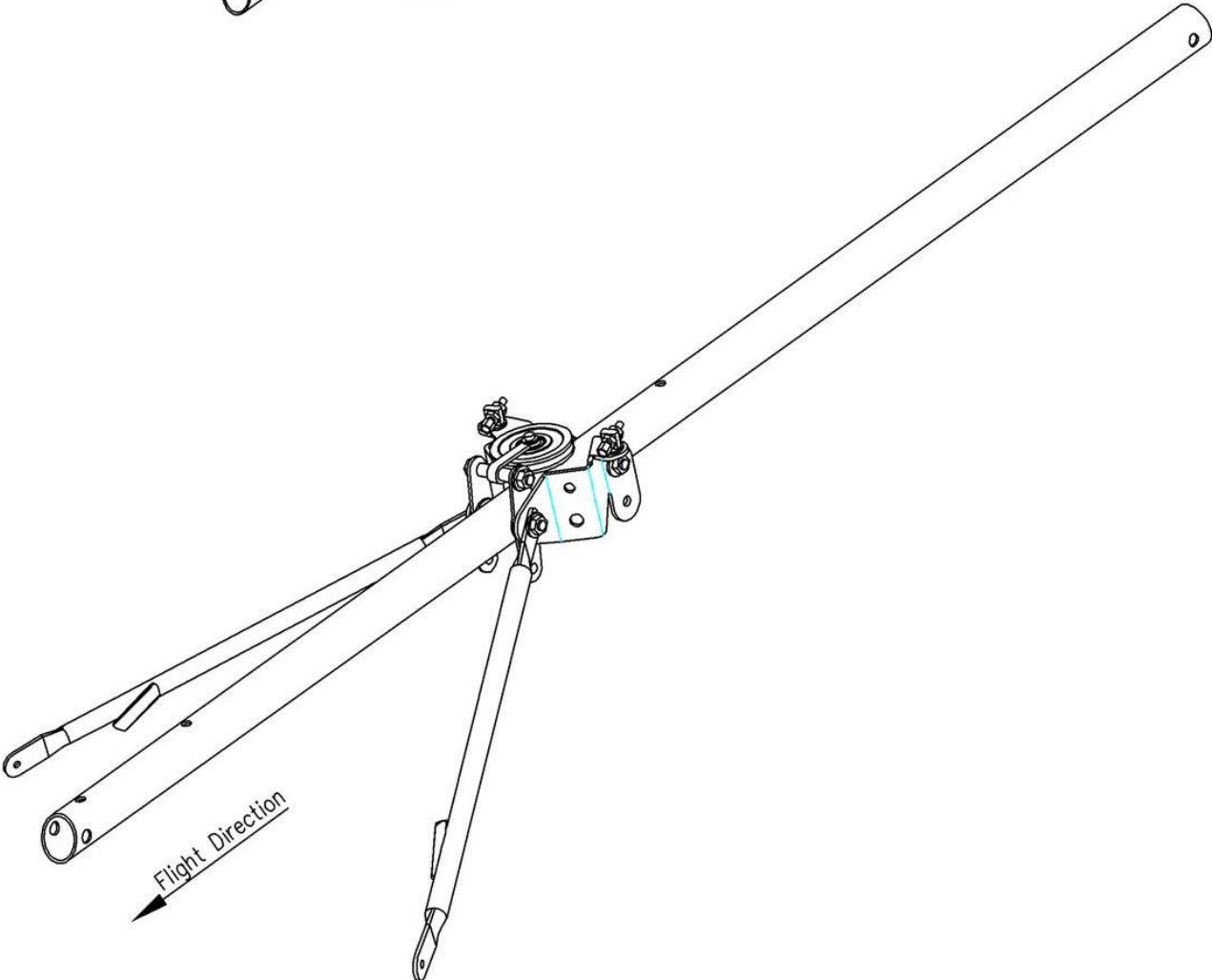
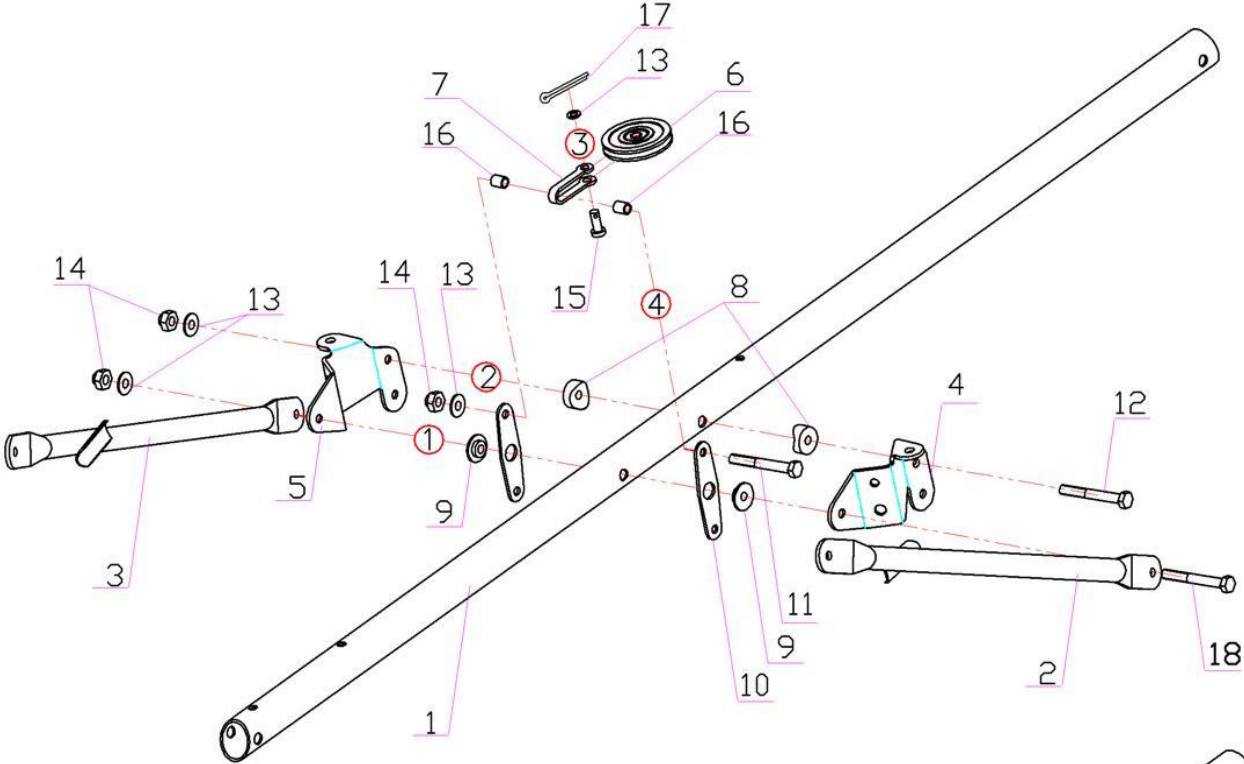


Section 7 Cockpit lower support tube

No.	Description	Qty each	Qty Total	Part No:
1	Lower-Cabin centre tube	1	1	CH-00-12280
2	Diagonal cabin-consol support tube – LH	1	1	CH-00-12030-01
3	Diagonal cabin-consol support tube – RH	1	1	CH-00-12030-02
4	Landing gear & fuselage joining bracket – LH	1	1	CH-00-12419-01
5	Landing gear & fuselage joining bracket – RH	1	1	CH-00-12419-02
6	Pulley	1	1	CH-00-61503
7	U-plate	1	1	CH-00-61501
8	Saddle Washer	2	2	CH-00-12434
9	Brake system attachment space-washer	2	2	CH-00-12435
10	Brake lever plate	2	2	CH-00-12433
11	Bolt M6 x 40	1	1	
12	Bolt M6 x 50	1	1	
13	M6 Flat washer	4	4	
14	M6 Nylock nut	3	3	
15	M6 Tapered Clevis Pin	1	1	CH-00-61502
16	Spacer bush	2	2	CH-00-61506
17	Split pin di 2.0 x 20	1	1	CH-00-20002
18	Bolt M6 x 55	1	1	



7_1 Cockpit lower support tube



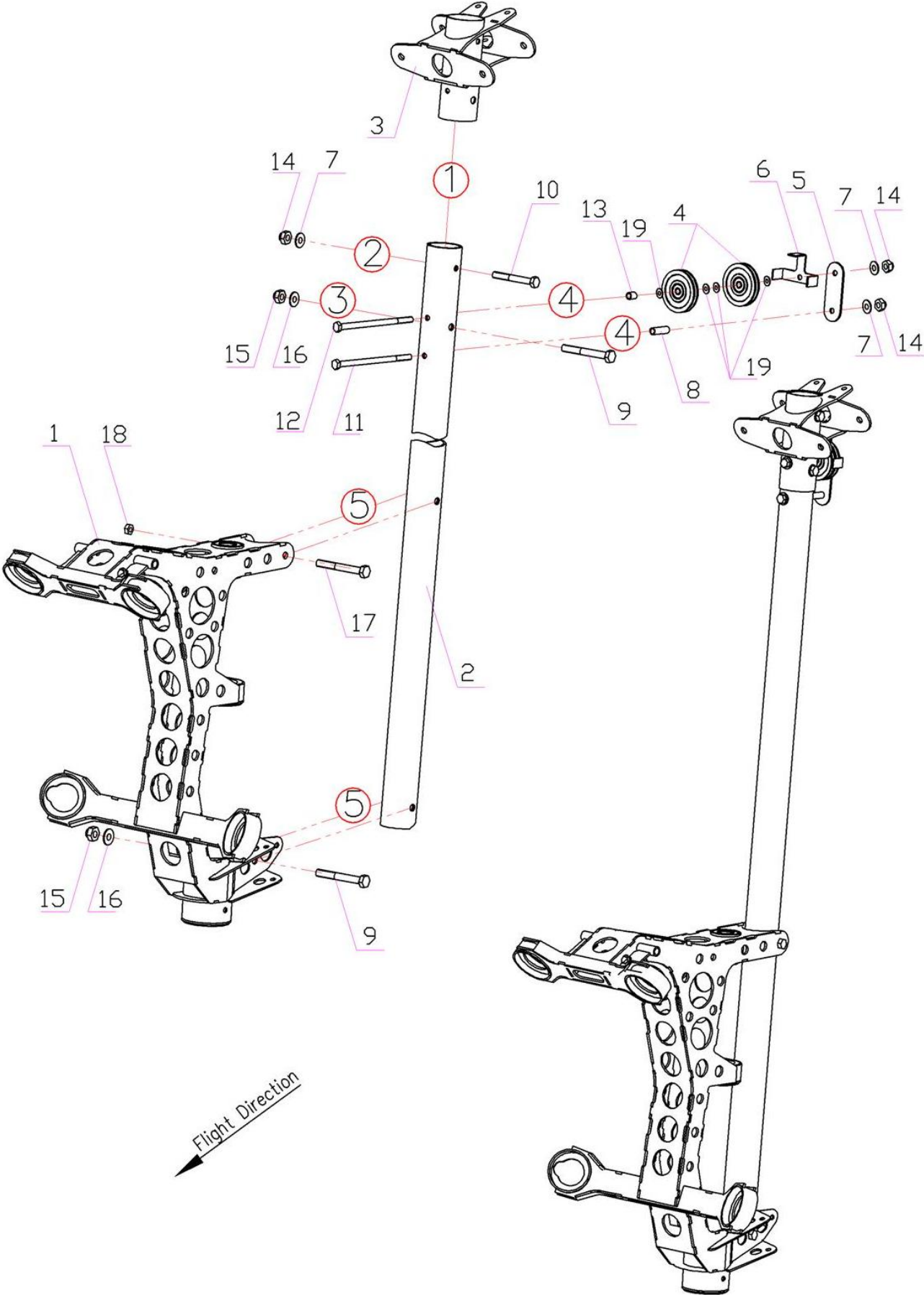


Section 8 Main engine mounting and Front cabin strut

No.	Description	Qty each	Qty Total	Part No:
1	Main Engine Mounting Bracket (Rotax)	1	1	CH-00-12010
1	Main Engine Mounting Bracket (Jabiru)	1	1	CH-00-12700
2	Front Cabin Strut	1	1	CH-00-12150
3	Top front wing & fuselage joining bracket	1	1	CX-00-12040
4	Pulley	2	2	CH-00-12290
5	Aileron control system pulley joining plate	1	1	CH-00-12426
6	Cable limiter for aileron control	1	1	CH-00-00008
7	Washer M6 x 12	3	3	
8	Bottom pulley bush	1	1	CX-00-00007
9	Bolt M8 x 60 (Shank 38)	2	2	
10	Bolt M6 x 55 (Shank 37)	1	1	
11	Bolt M6 x 100	1	1	
12	Bolt M6 x 100	1	1	
13	Top Pulley Bush	1	1	CX-00-00008
14	Nylock Nut M6	3	3	
15	Nylock Nut M8	2	2	
16	Washer M8	2	2	
17	Special Bolt M8 x 142 (Shank 130)	1	1	CH-00-12403
18	Temporary Nut M8	1	1	
19	Washer M6 x 19	3	3	



8_1 Main engine mounting and front cabin strut

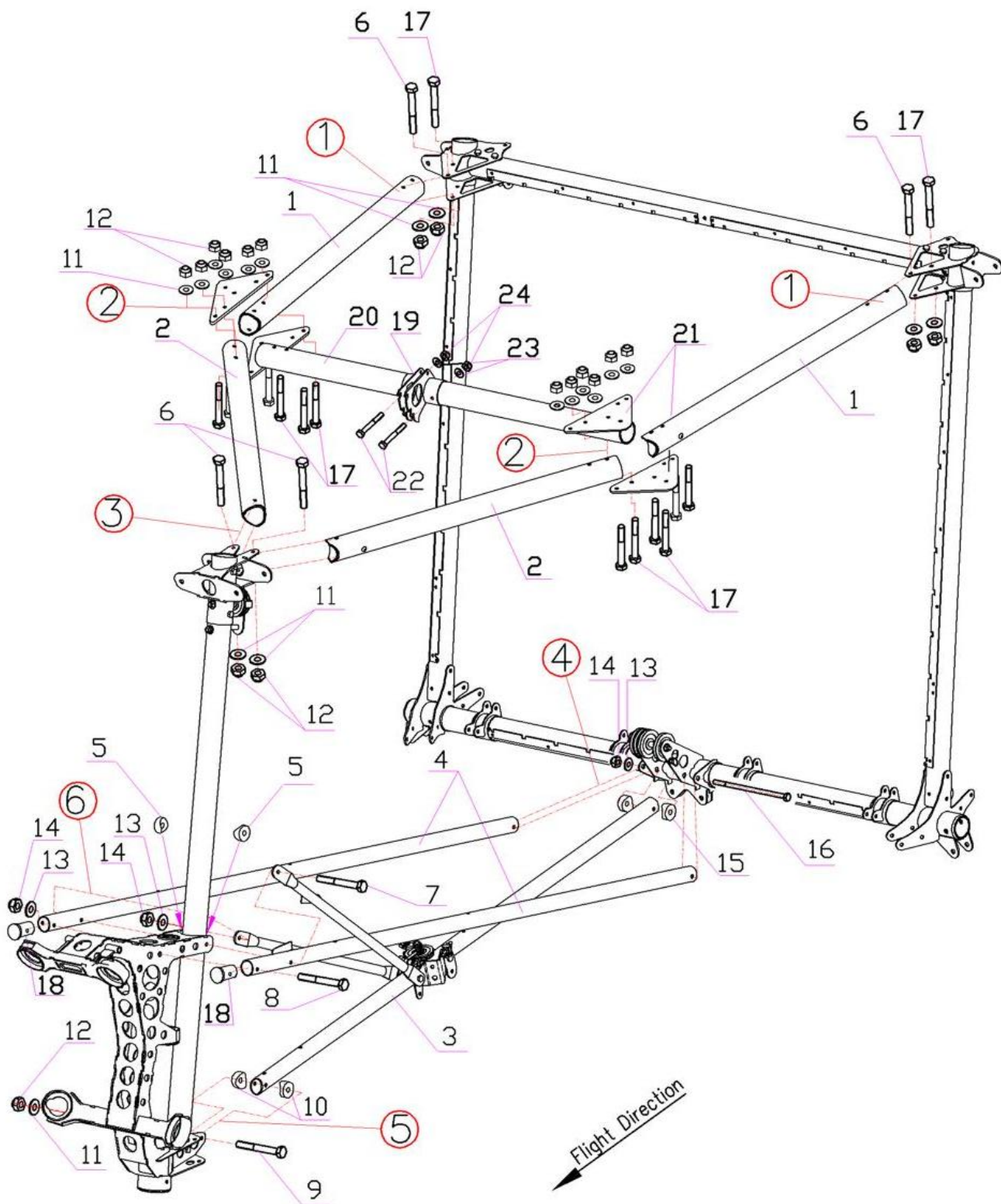


**Section 9 Cockpit assembly top**

No.	Description	Qty each	Qty Total	Part No:
1	Top cabin tube	2	2	CX-00-12002
2	Top cabin longitudinal tube	2	2	CX-00-12030
3	Page 7			
4	Cabin Console Tube	2	2	CH-00-12407
5	Console tube space-washer	2	2	CH-00-12427
6	Bolt M6 x 60 (Shank 42)	4	4	
7	Special Bolt M8 x 140 (Shank 127)	1	1	CH-00-12403
8	Special Bolt M8 x 132 (Shank 117)	1	1	CH-00-12404
9	Bolt M6 x 55 (Shank 37)	1	1	
10	Saddle washer	2	2	CH-00-12432
11	M6 Flat washer	19	19	
12	M6 Nylock nut	19	19	
13	M8 Flat washer	3	3	
14	M8 Nylock nut	3	3	
15	Saddle Washer	2	2	CH-00-12436
16	Bolt M8 x 140 (Shank 127)	1	1	CH-00-12403
17	Bolt M6 x 55	14	14	
18	Bush	2	2	CH-00-12439
19	Flap lever ratchet	1	1	CX-00-61110
20	Top cabin cross-brace tube	1	1	CX-00-12009
21	Joining plate	4	4	CX-00-12001
22	Bolt M5 x 55	2	2	
23	M5 Flat washer	2	2	
24	M5 Nylock nut	2	2	
25	Consol tube washer M8 x 30 (Jabiru)	2	2	
26	Con sol tube saddle washer (Jabiru)	2	2	CH-00-12444

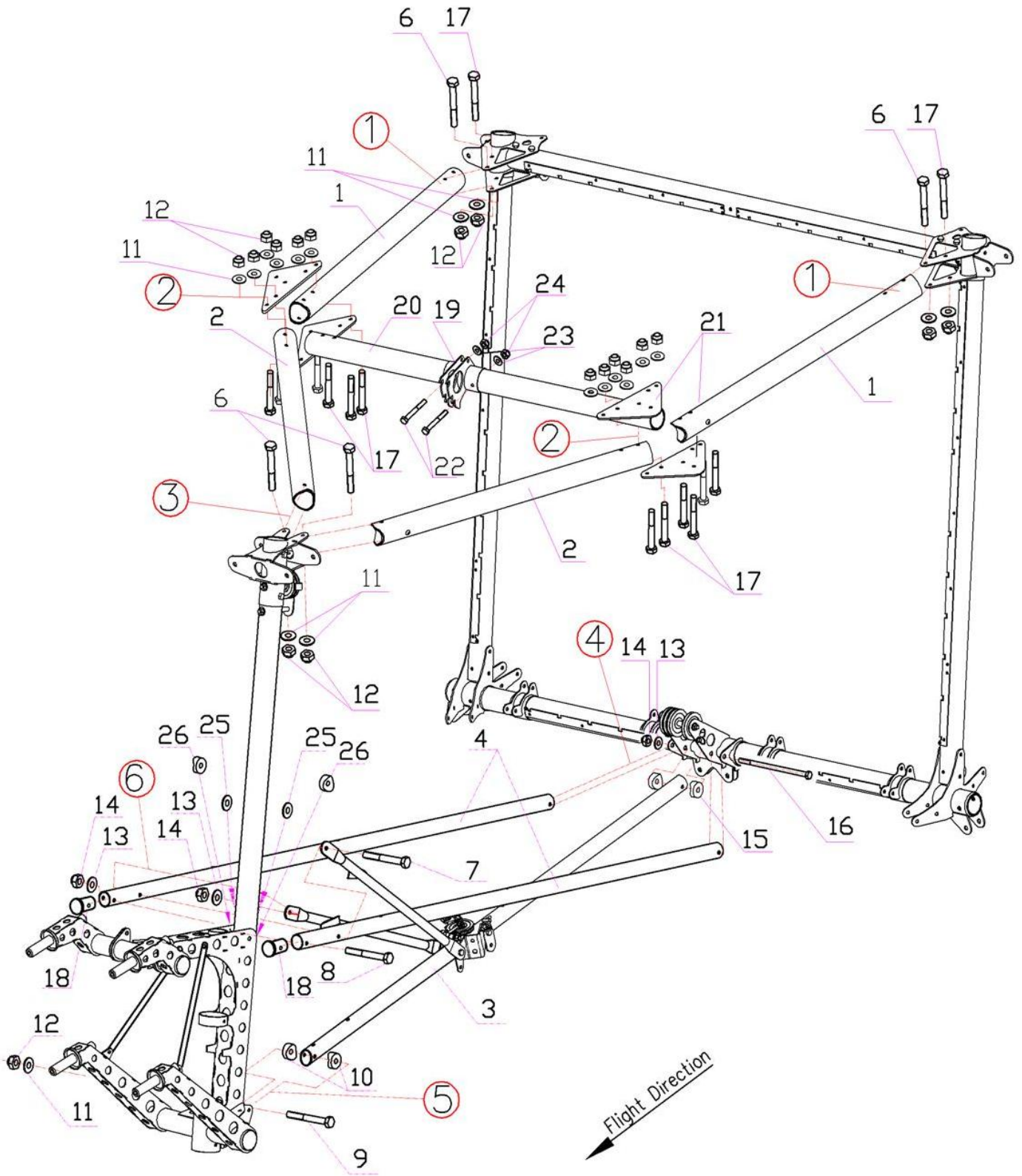


9_1 Cockpit assembly top (Rotax)



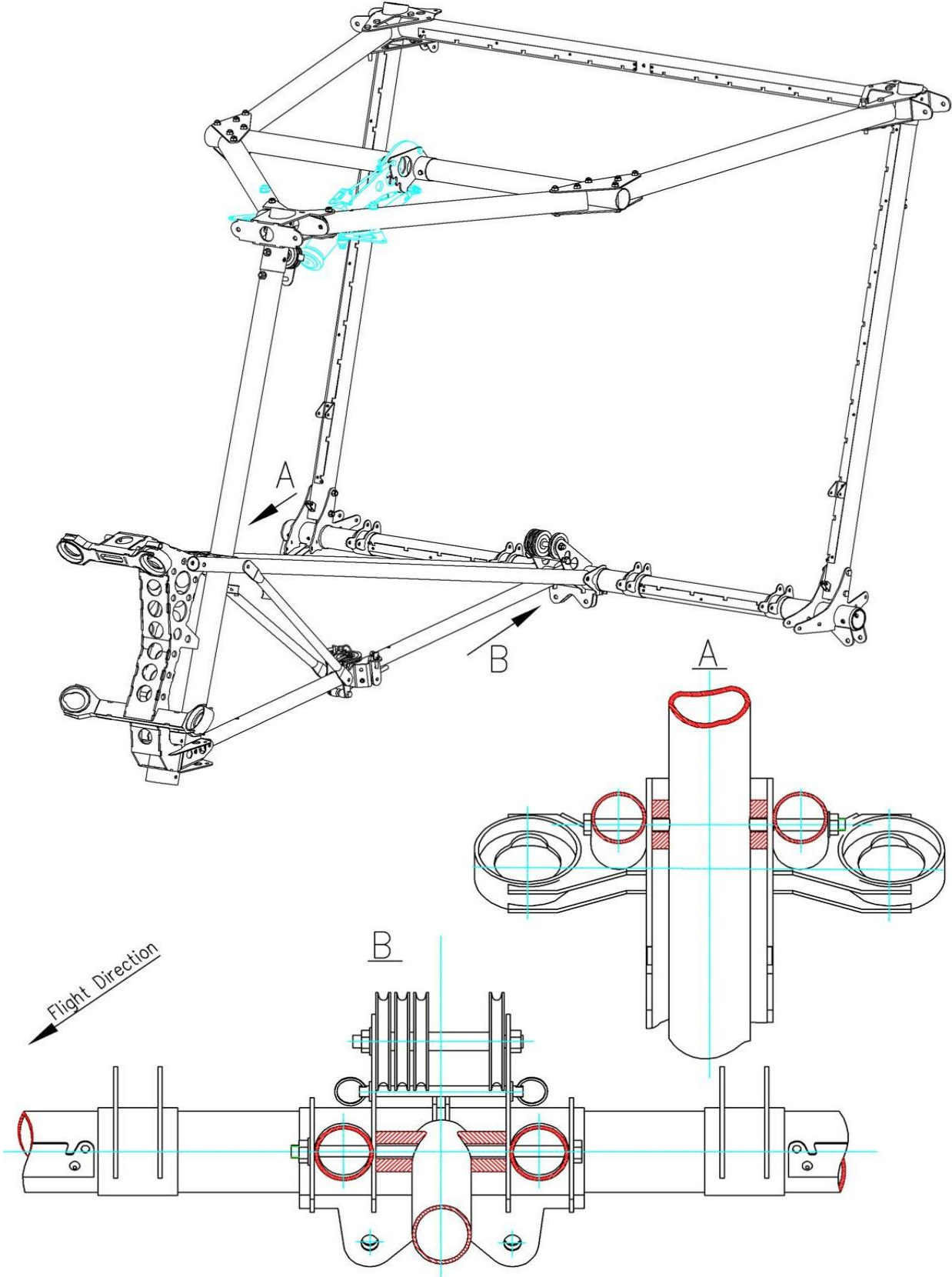


9_2 Cockpit assembly top (Jabiru)





9_3 Cockpit assembly top (overview)



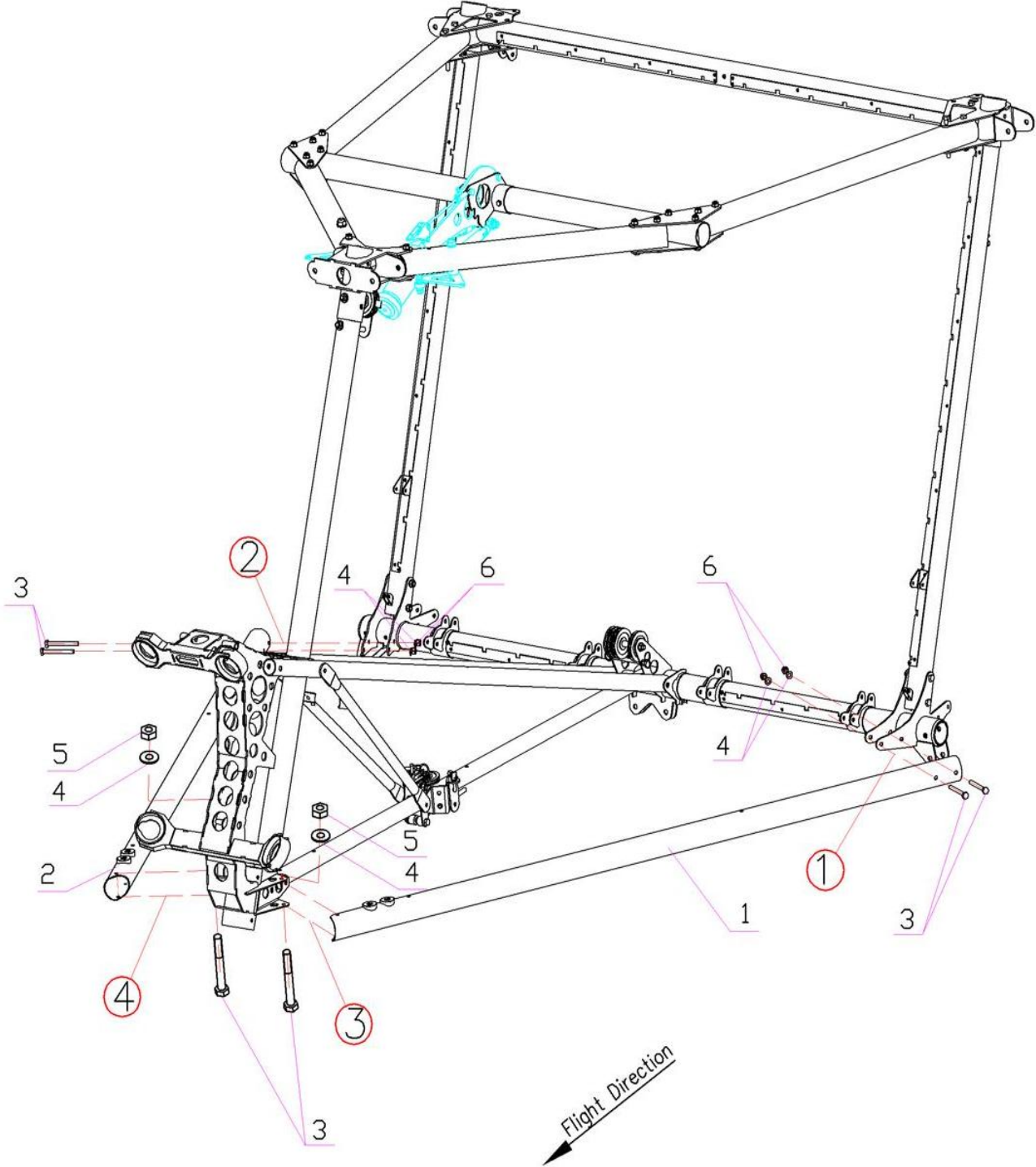


Section 10 Cockpit assembly bottom

No.	Description	Qty each	Qty Total	Part No:
1	Bottom cabin longitudinal strut – LH	1	1	CH-00-12210-01
2	Bottom cabin longitudinal strut – RH	1	1	CH-00-12210-02
3	Bolt M6 x 60	6	6	
4	M6 Flat washer	6	6	
5	Temporary Nut M6	2	2	
6	M6 Nylock nut	4	4	



10_1 Cockpit assembly bottom



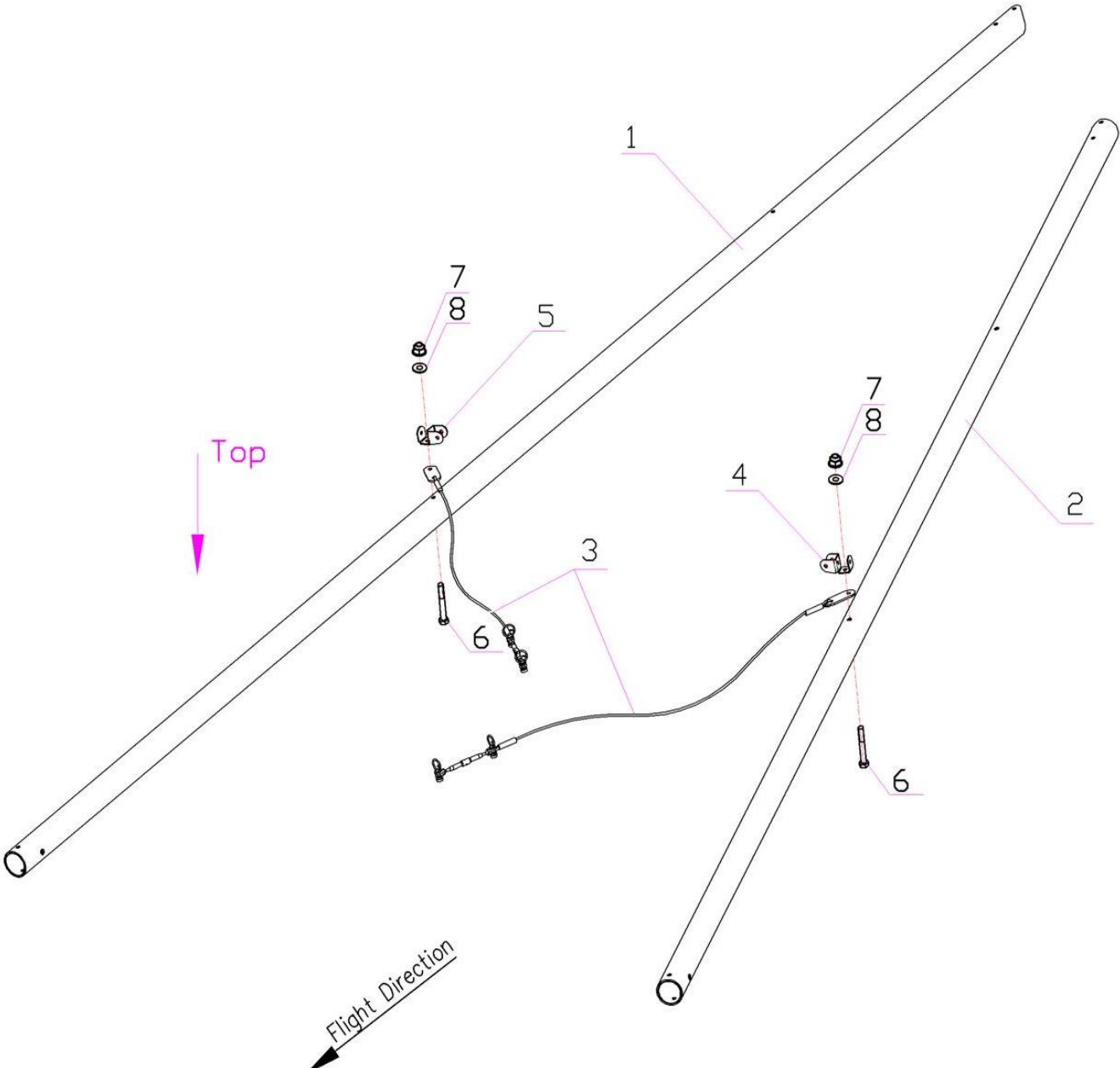


Section 11 Fuselage assembly, top

No.	Description	Qty each	Qty Total	Part No:
1	Top Fuselage Tube	1	1	CH-00-12190
2	Top Fuselage Tube	1	1	CH-00-12190
3	Fuselage tensioning cable	2	2	CH-00-12250
4	Top fuselage support tube bracket – LH	1	1	CH-00-12423-01
5	Top fuselage support tube bracket – RH	1	1	CH-00-12423-02
6	Special Bolt M6 x 53 (Shank 44)	2	2	CH-00-12401
7	M6 Flat washer	2	2	
8	M6 Nylock nut	2	2	



11_1 Fuselage assembly, top



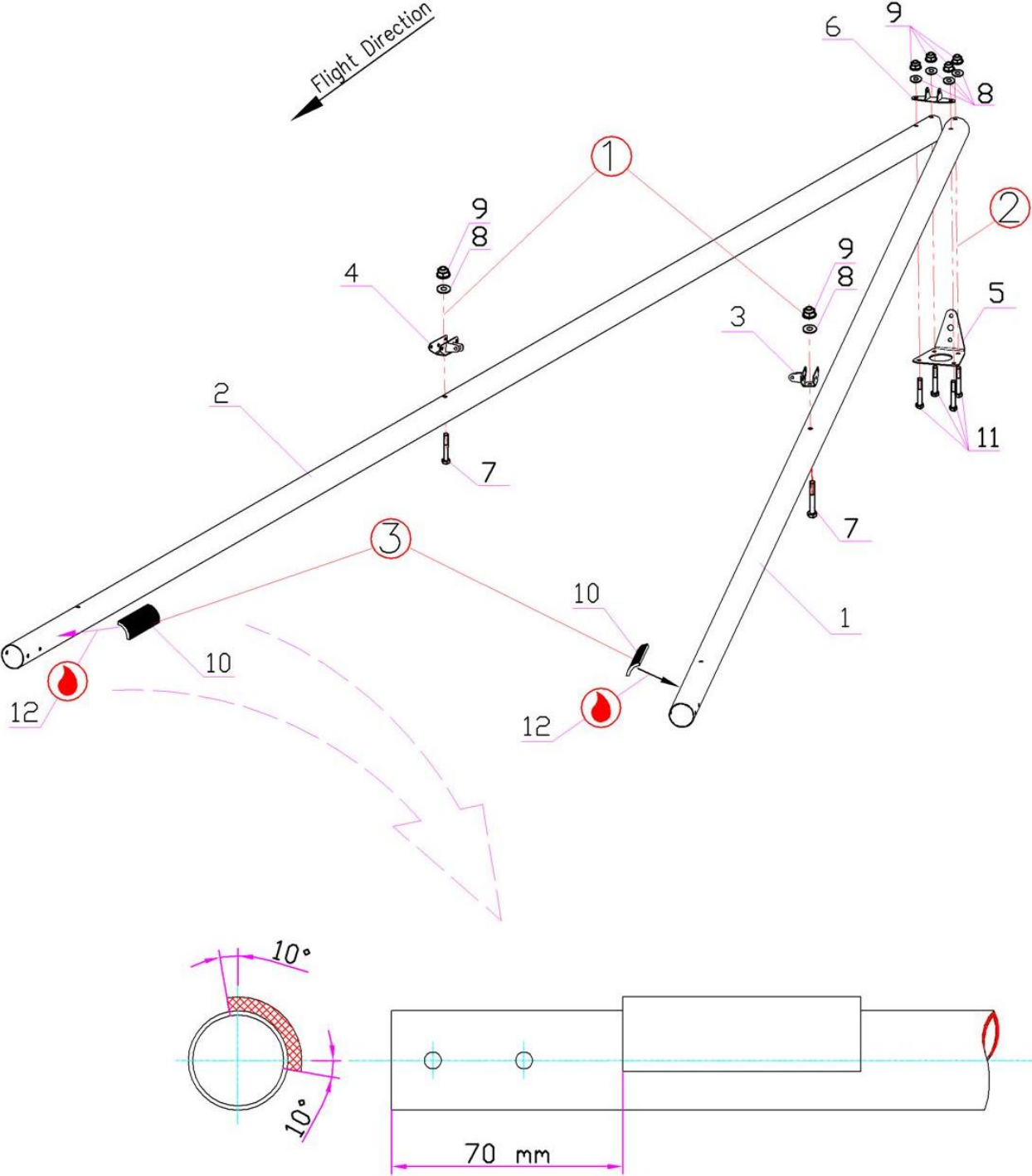


Section 12 Fuselage assembly, bottom

No.	Description	Qty each	Qty Total	Part No:
1	Bottom fuselage tail tube – LH	1	1	CH-00-12310-01
2	Bottom fuselage tail tube – RH	1	1	CH-00-12310-02
3	Bottom central fuselage bracket – LH	1	1	CH-00-12120-01
4	Bottom central fuselage bracket – RH	1	1	CH-00-12120-02
5	Tail & fuselage joining bracket- bottom	1	1	CH-00-12424
6	Back fuselage lower support-strut bracket	1	1	CH-00-12140
7	Bolt M6 x 52	2	2	CH-00-12402
8	M6 Flat Washer	6	6	
9	M6 Nylock nut	6	6	
10	Protection Rubber	2	2	CH-00-12312
11	Bolt M6 x 55	4	4	
12	Glue	2	2	



12_1 Fuselage assembly, bottom



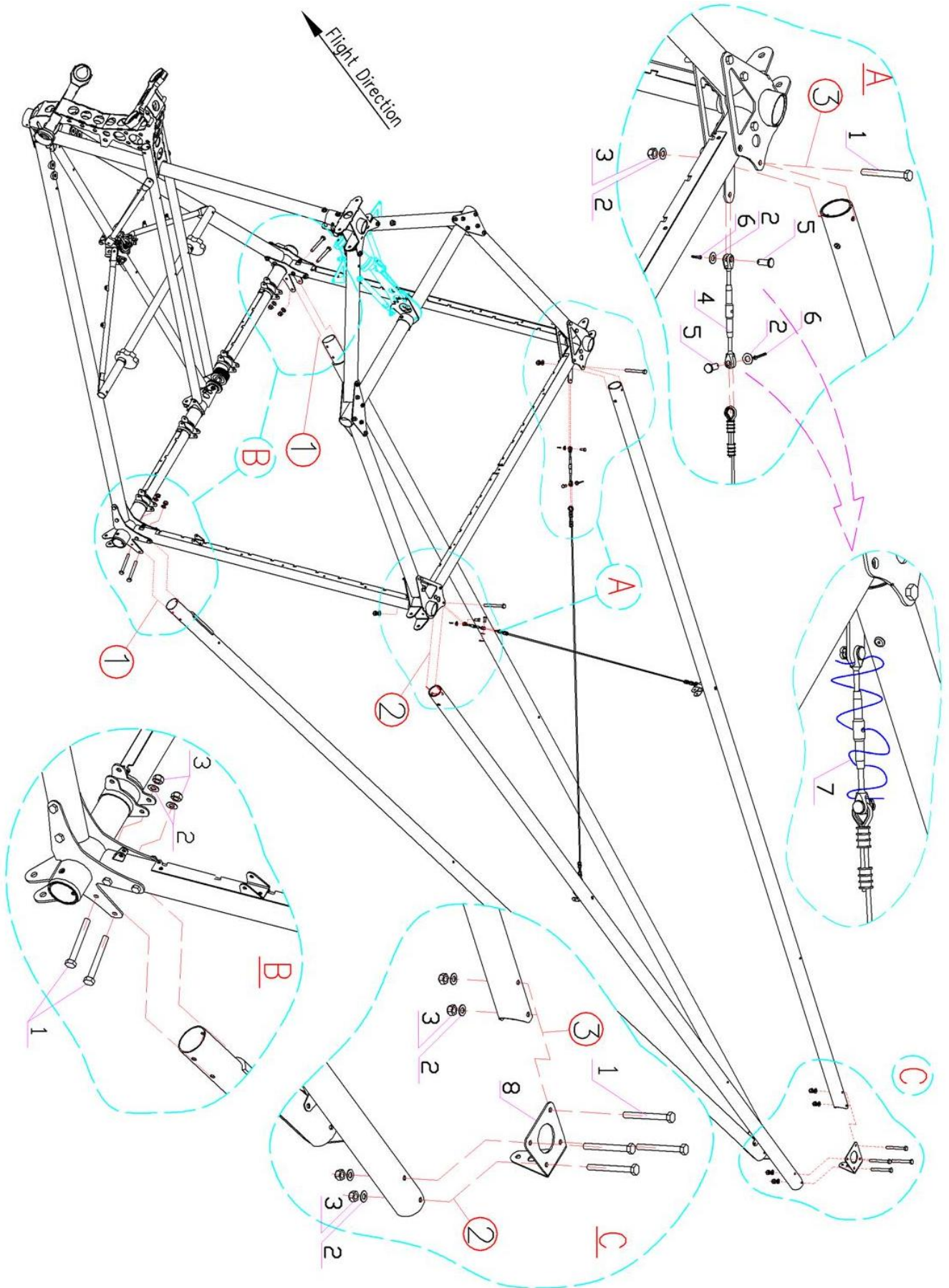


Section 13 Cockpit and Fuselage assembly

No.	Description	Qty each	Qty Total	Part No:
1	Bolt M6 x 55	10	10	
2	M6 Flat washer	14	14	
3	M6 Nylock nut	10	10	
4	Turnbuckle	2	2	CH-00-12260
5	Clevis Pin M6 x 5	4	4	CH-00-20001
6	Split pin dia2.0 x 50	4	4	
7	Safety Wire di 0.9 x 400	2	2	
8	Tail & fuselage joining bracket top	1	1	CH-00-12421



13_1 Cockpit and Fuselage assembly

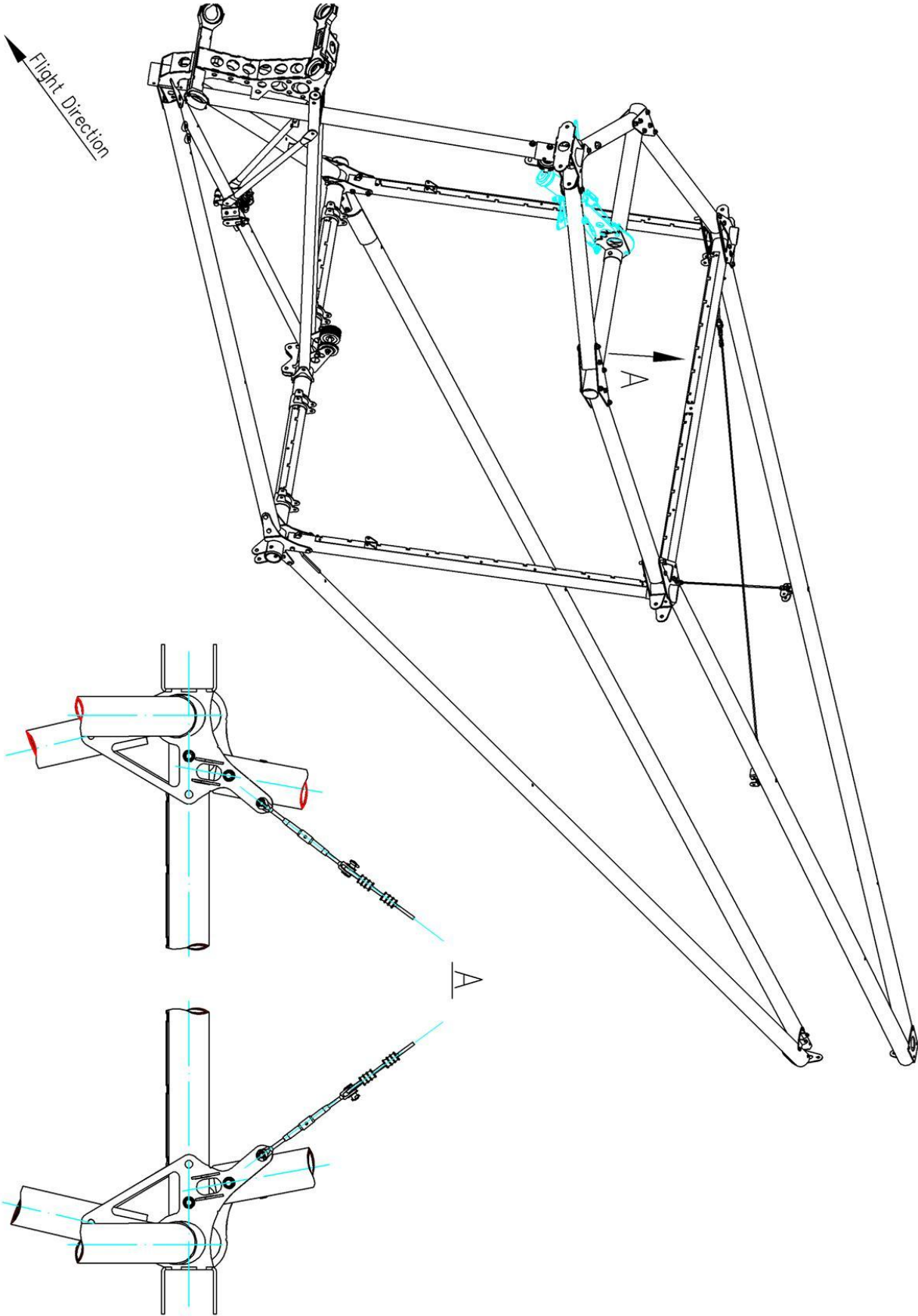




Revision	0										Dated July 2009
----------	---	--	--	--	--	--	--	--	--	--	-----------------

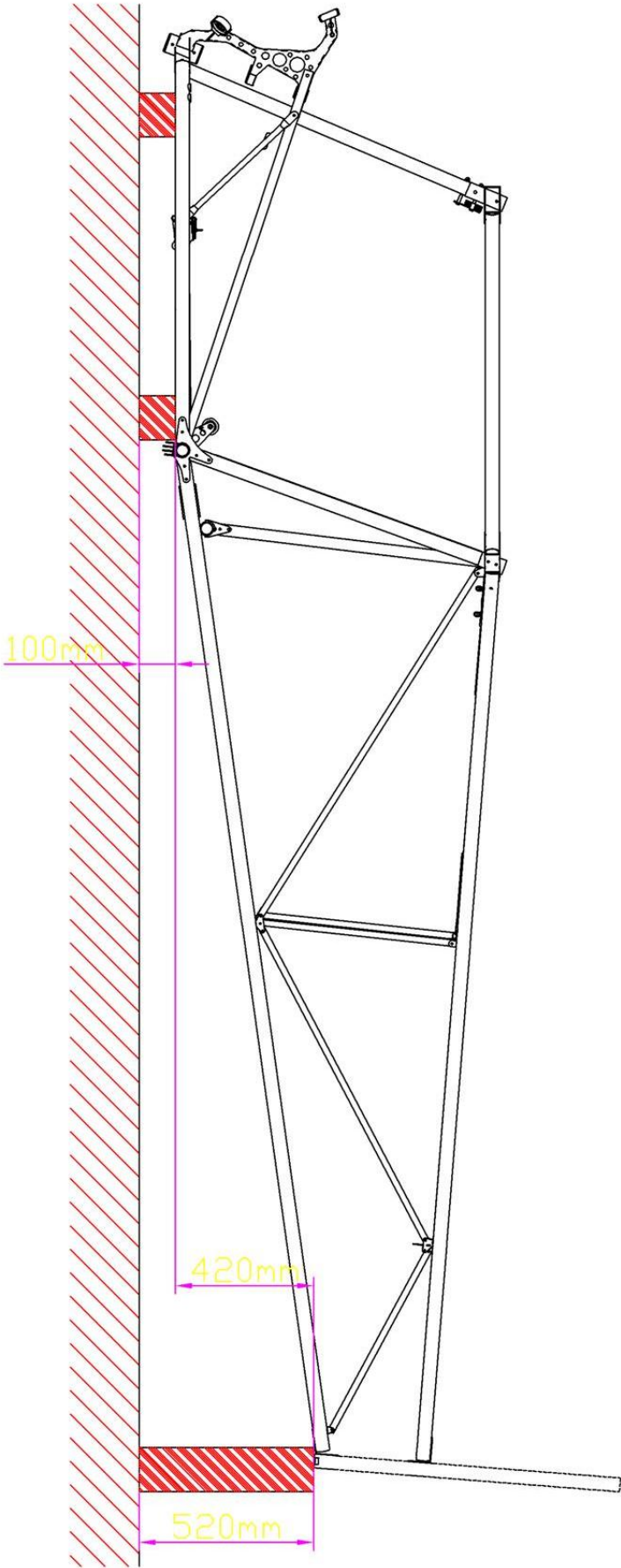


13_2 Cockpit and Fuselage assembly (overview)





13_3 Cockpit and Fuselage assembly (overview)



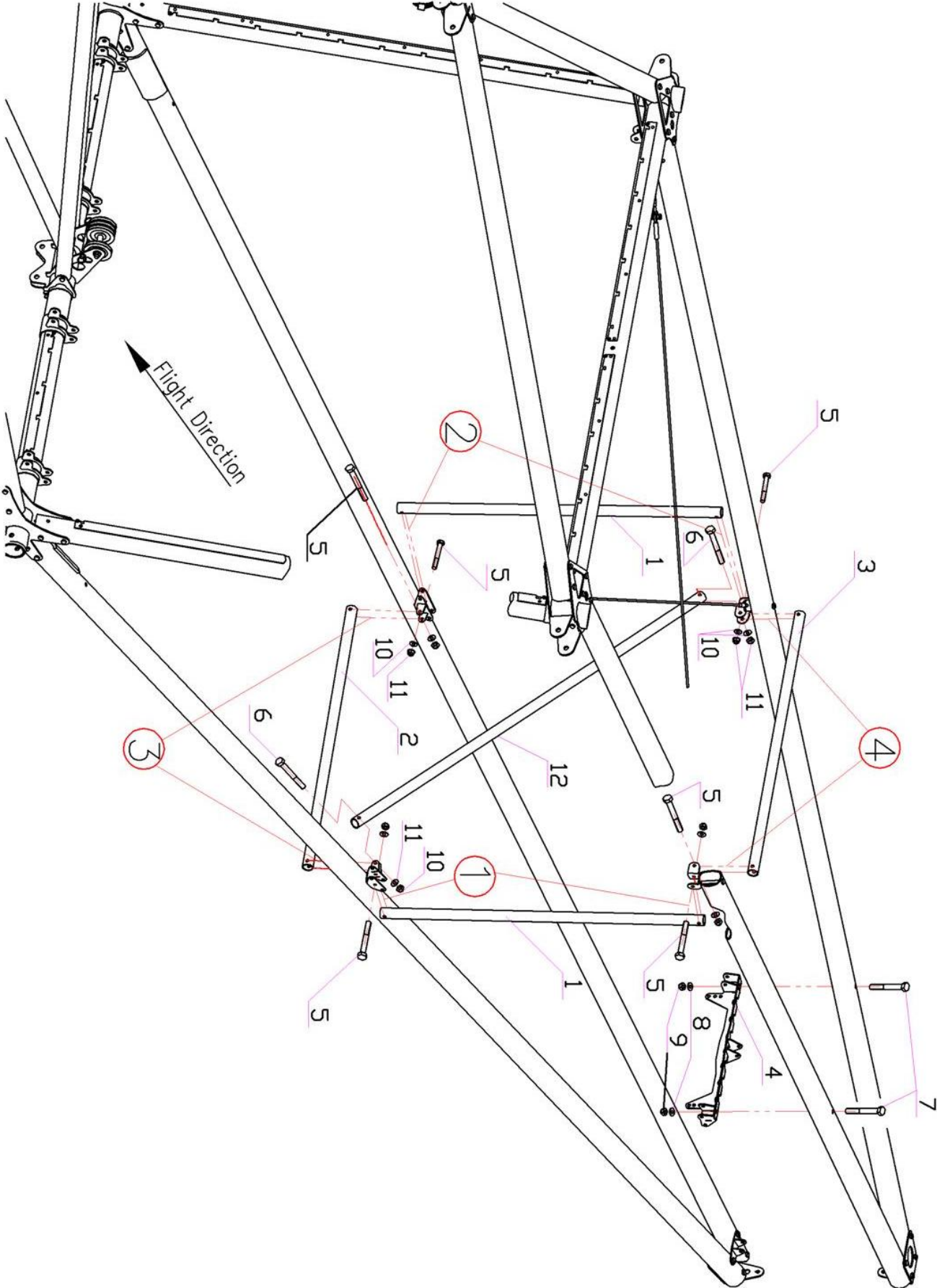


Section 14 Fuselage cross-section support struts

No.	Description	Qty each	Qty Total	Part No:
1	Mid fuselage vertical strut	2	2	CH-00-12413
2	Lower fuselage transverse strut	1	1	CH-00-12414
3	Top fuselage transverse strut L = 592.0	1	1	CH-00-21415
4	Empennage front mounting bracket	1	1	CX-00-12130
5	Bolt M5 x 30 (Shank 12)	6	6	
6	Bolt M5 x 50 (Shank 32)	2	2	
7	Special Bolt M6 x 52 (Shank 42)	2	2	CH-00-12402
8	M6 Flat washer	2	2	
9	M6 Nylock nut	2	2	
10	M5 Flat washer	8	8	
11	M5 Nylock nut	8	8	
12	Diagonal fuselage strut	1	1	CH-00-12416



14_1 Fuselage cross-section support struts





Section 15 Battery mounting brackets

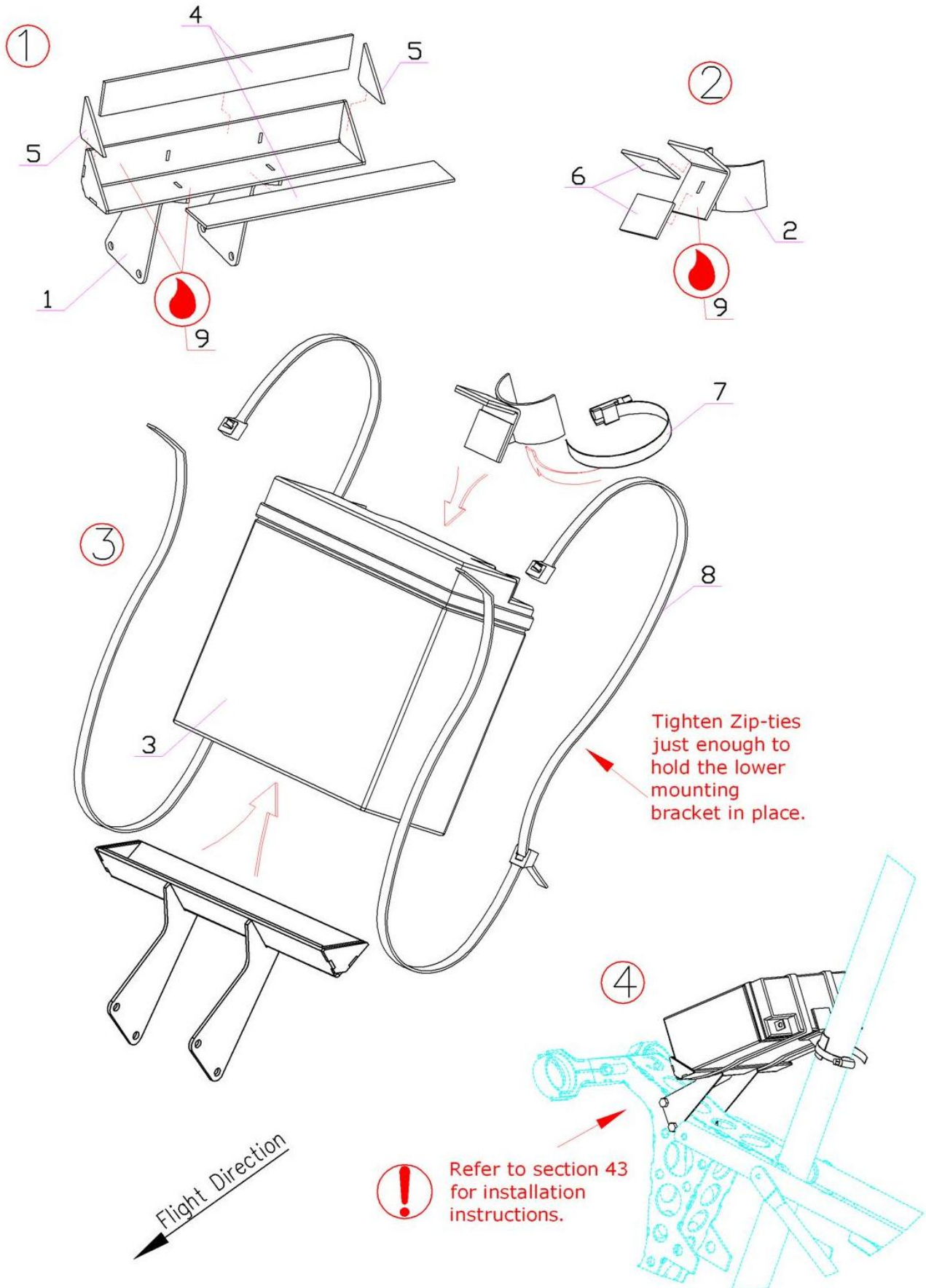
No.	Description	Qty each	Qty Total	Part No:
1	Bottom battery bracket	1	1	CX-00-03310-10
2	Top battery bracket	1	1	CX-00-03330-10
3	Battery 12V 18Ah	1	1	
4	Protection pad (rectangular)	2	2	CX-00-03312
5	Protection pad (triangular)	2	2	CX-00-03311
6	Protection pad (square)	2	2	CX-00-03331
7	Zebra Clamp 32/50	1	1	
8	Cable tie large 390 x 7.8	4	4	
9	Glue	1	1	

Note: In case self adhesive sponge is provided, glue is not required

*Glue is not supplied with kit



15_1 Battery mounting brackets



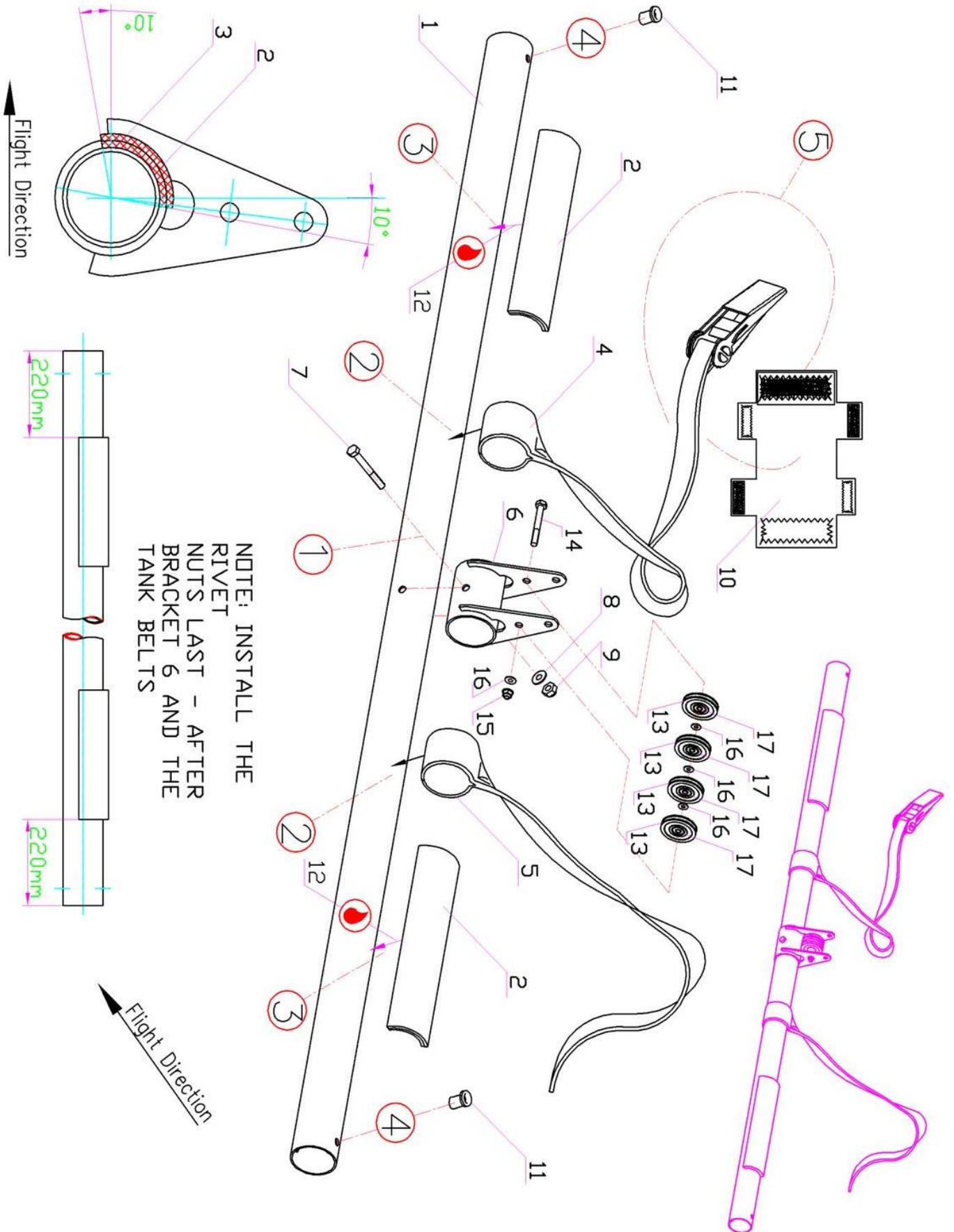


Section 16 Fuel tank support tube

No.	Description	Qty each	Qty Total	Part No:
1	Fuel tank support tube	1	1	CH-00-12321
2	Outer protection rubber	2	2	CH-00-12322
3	Inner protection rubber	2	2	CH-00-12323
4	Ratchet belt	1	1	CH-00-12320-10
5	Joining belt	1	1	CH-00-12320-20
6	Parachute strut mounting bracket	1	1	CH-00-12320-30
7	Bolt M6 x 50 (Shank 32)	1	1	
8	M6 Flat washer	1	1	
9	M6 Nylock nut	1	1	
10	Fuel tank belt pocket	1	1	CH-00-04260
11	M6 Rivet nut	2	2	
12	Glue	2	2	
13	Pulley Ø30.0	4	4	CH-00-12324
14	Bolt M6 x 50.0	1	1	
15	M6 Nylock nut	1	1	
16	M6 x 20.0 washer	3	3	
17	Spacer	4	4	CH-00-12325



16_1 Fuel tank support tube



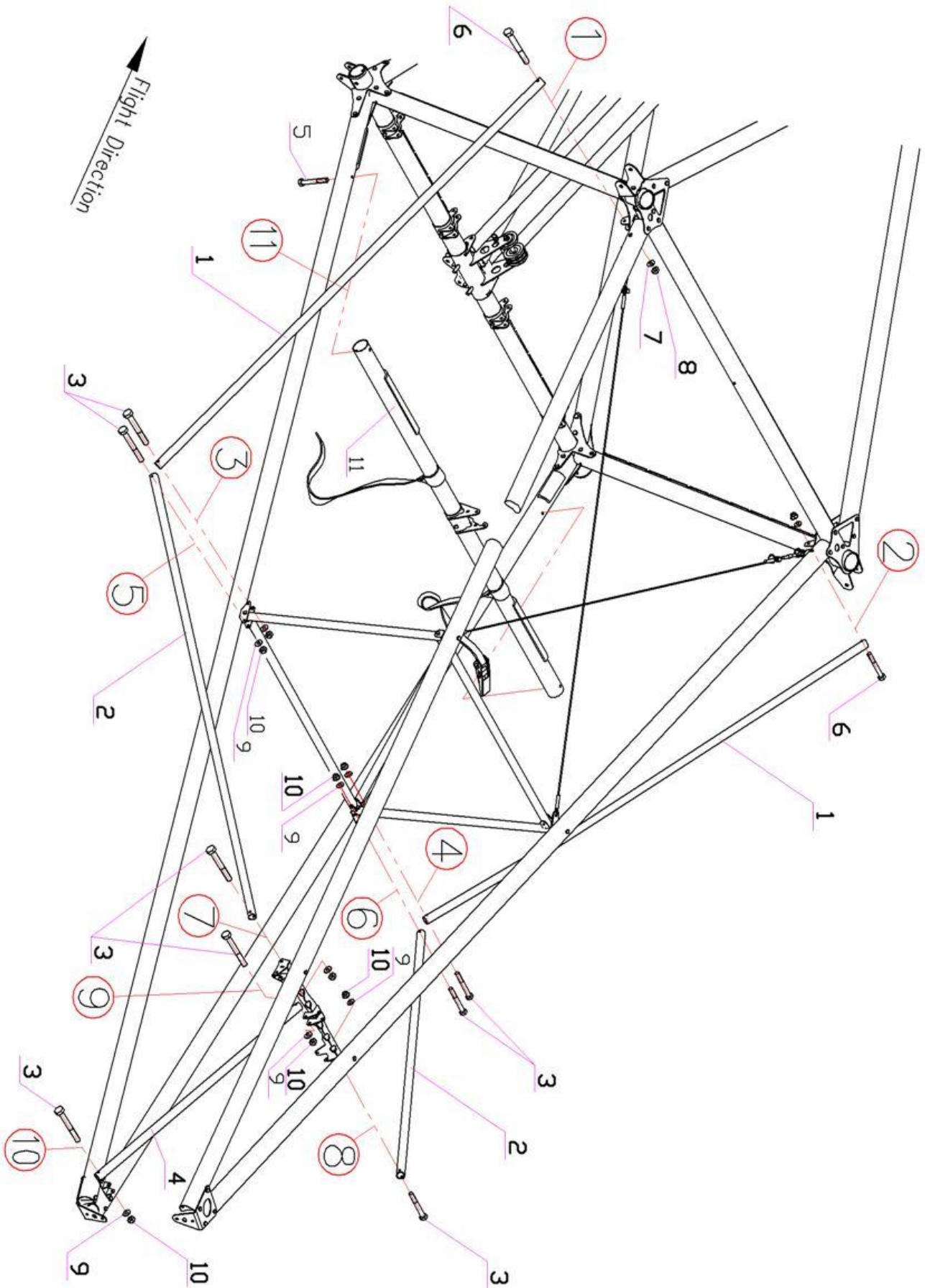


Section 17 Fuselage and diagonal support struts

No.	Description	Qty each	Qty Total	Part No:
1	Front fuselage strut	2	2	CH-00-12411
2	Centre fuselage strut	2	2	CH-00-12412
3	Bolt M5 x 30	8	8	
4	Back fuselage strut	1	1	CH-00-12417
5	Special Bolt M6 x 80 (Shank 58)	2	2	CH-00-12442
6	Bolt M6 x 35	2	2	
7	Washer M6 x 12	2	2	
8	M6 Nylock Nut	2	2	
9	Washer M5 x 10	8	8	
10	M5 Nylock Nut	8	8	
11	Page 22			



17_1 Fuselage and diagonal support struts





Section 18 Cockpit diagonal supports

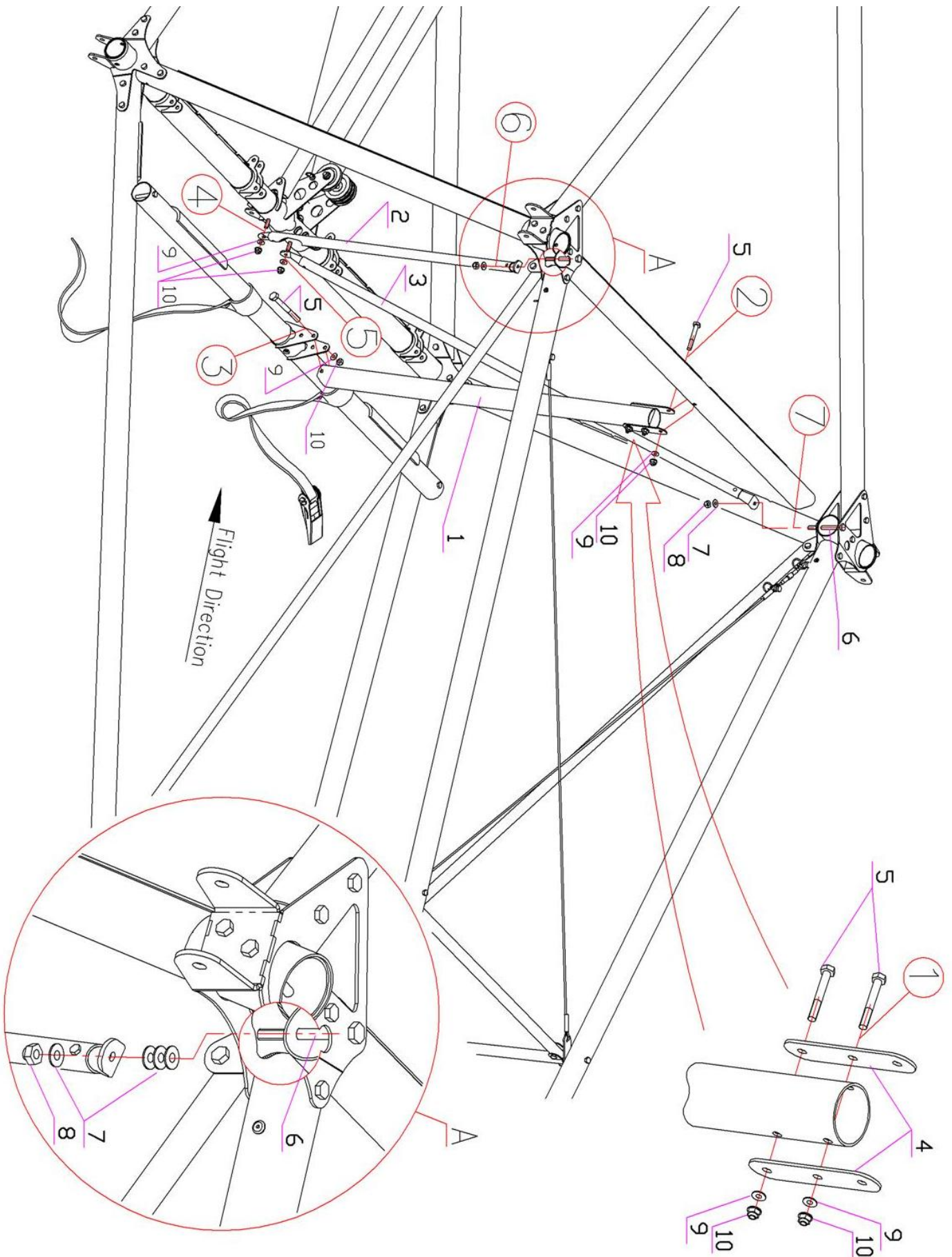
No.	Description	Qty each	Qty Total	Part No:
1	Parachute support strut	1	1	CH-00-12418
2	Cabin diagonal support tube - left	1	1	CH-00-12240-01
3	Cabin diagonal support tube - right	1	1	CH-00-12240-02
4	Joining Plate	2	2	CH-00-12422
5	Bolt M6 x 55	4	4	
6	Bolt M8 x 65	2	2	
7	M8 Flat washer	8	8	
8	M8 Nylock nut	2	2	
9	M6 Flat washer	6	6	
10	M6 Nylock Nut	6	6	



Revision	0													Dated July 2009
----------	---	--	--	--	--	--	--	--	--	--	--	--	--	-----------------



18_1 Cockpit diagonal supports



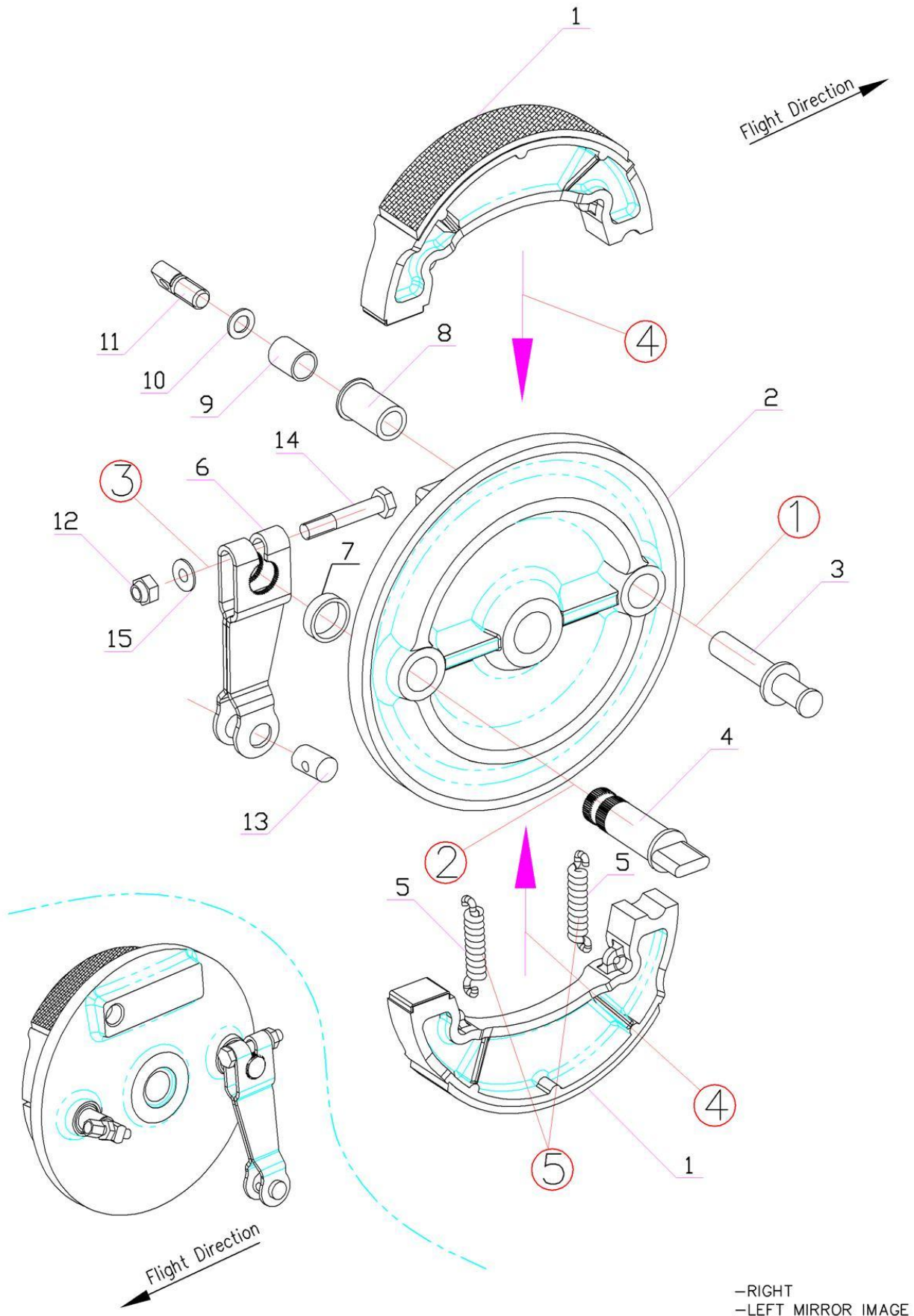


Section 19 Brake hub and shoes assembly

No.	Description	Qty each	Qty Total	Part No:
1	Brake Shoe	2	4	
2	Brake Hub	1	2	CH-00-42111
3	Brake pads axis	1	2	CH-00-42112
4	Camshaft	1	2	
5	Spring	2	4	
6	Lever Camshaft	1	2	CH-00-42119
7	Spacer Sleeve	1	2	CH-00-42117
8	Interchange Sleeve	1	2	CH-00-42114
9	Spacer Sleeve	1	2	CH-00-42113
10	Washer M7	1	2	CH-00-00035
11	Eye Bolt Cable Adjuster	1	2	
12	Nylock Nut M6	1	2	
13	Sleeve Pin	1	2	CH-00-42118
14	Bolt M6 x 35	1	2	
15	Washer M6 x 12	1	2	



19_1 Brake hub and shoe assembly





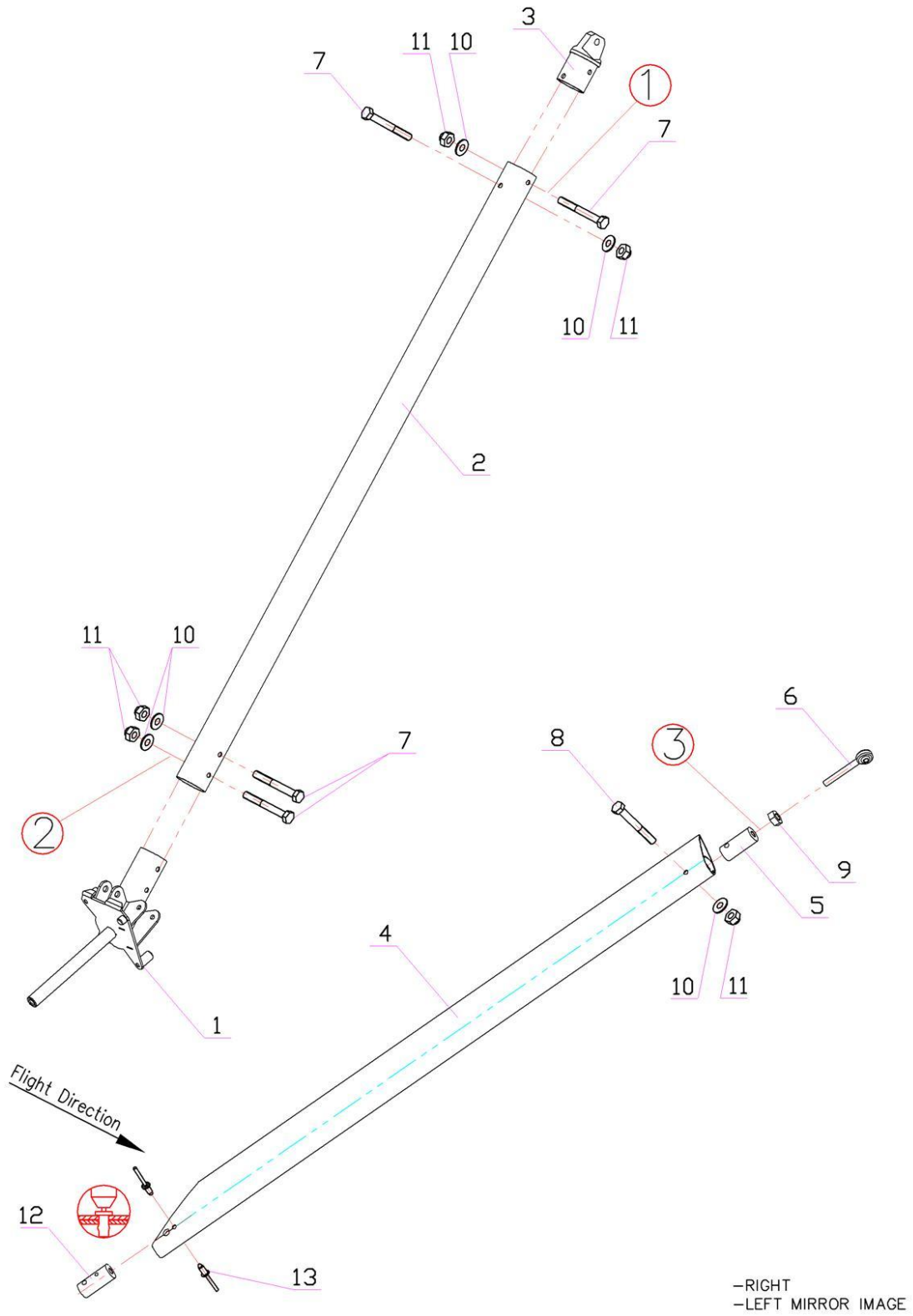
Section 20 Rear axle and tension strut assembly

No.	Description	Qty each	Qty Total	Part No:
1	Rear stub axle	1	2	CH-00-42210- 01 02
2	Rear axle tube	1	2	CH-00-42201
3	Rear axle end plug	1	2	CH-00-42202
4	Tension Strut	1	2	CH-00-42400
5	Nut	1	2	CH-00-42401
6	Eye Bearing Bolt M8	1	2	
7	Bolt M6 x 50	4	8	
8	Bolt M6 x 35	1	2	
9	M8 Thin nut	1	2	
10	Washer M6 x 12	5	10	
11	M6 Nylock nut	5	10	
12	Bush	1	2	CH-00-42402
13	Pop-rivet di 4.8 x 10 St Steel	2	4	

Note: Parts 5 and 12 are supplied installed in the tension strut tube.



20_1 Rear axle and tension strut assembly



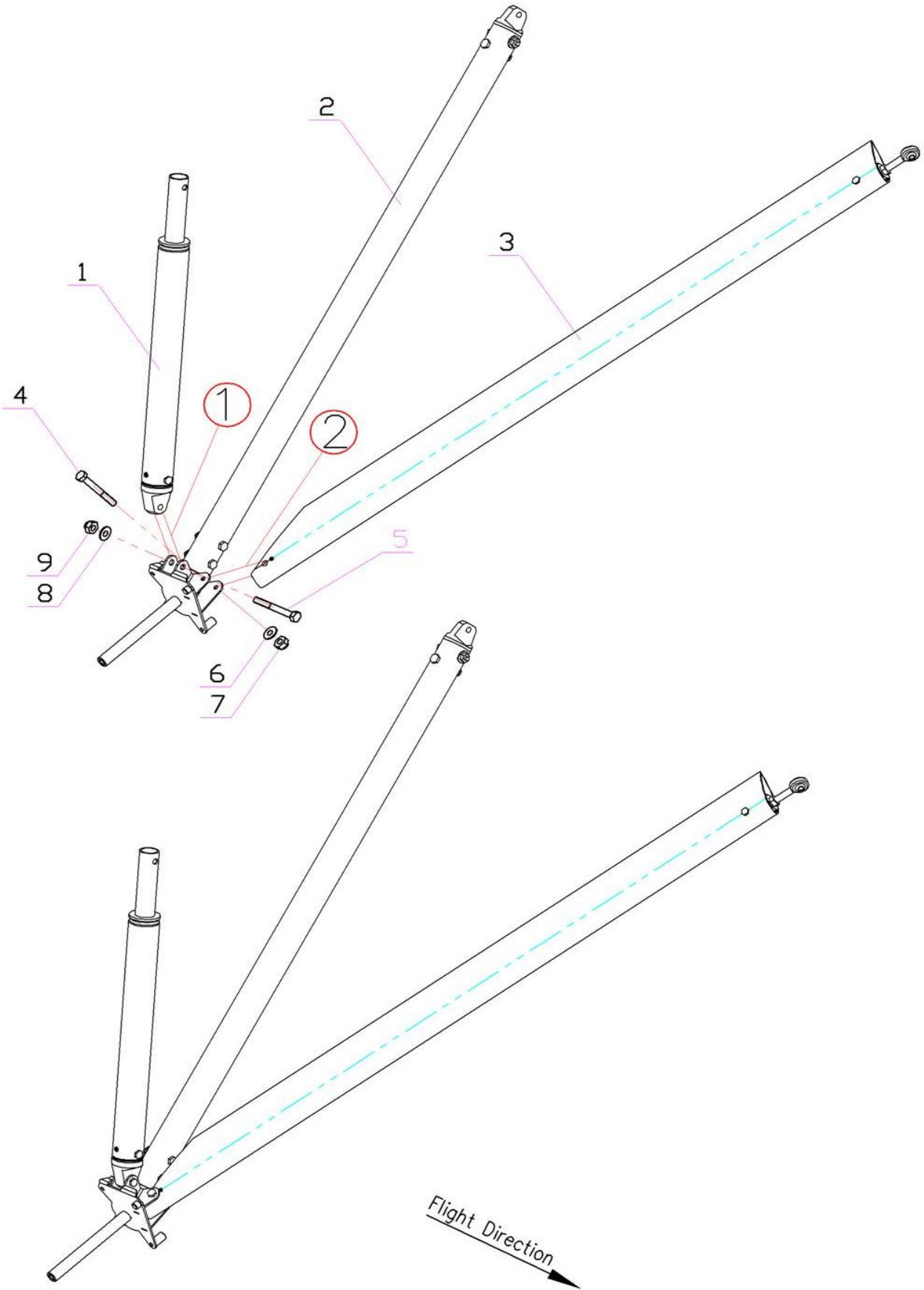


Section 21 Main suspension assembly

No.	Description	Qty each	Qty Total	Part No:
1	Rear Shock assembly	1	2	CH-00-42300
2	Rear Axle (Page 29)			
3	Tension Strut (Page 29)			
4	Bolt M6 x 40	1	2	
5	Special Bolt M8 x 39	1	2	CH-00-00027
6	Washer M6 x 12	1	2	
7	M6 Nylock nut	1	2	
8	Washer M8 x 16	1	2	
9	M8 Nylock nut	1	2	



21_1 Main suspension assembly



-RIGHT
-LEFT MIRROR IMAGE

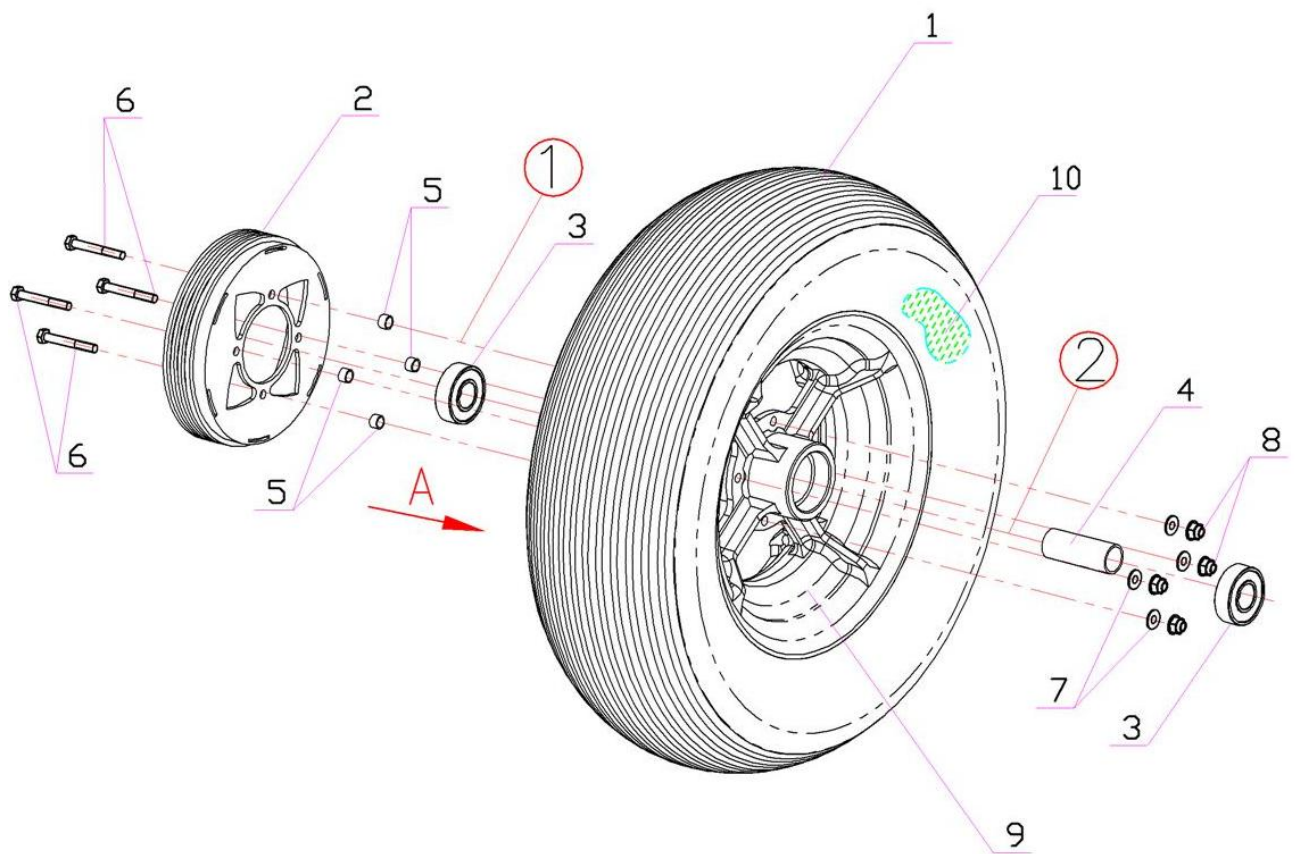


Section 22 Main wheel and Brake drum assembly

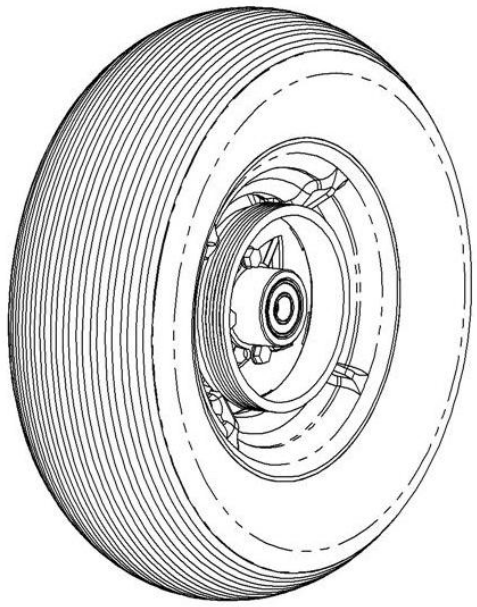
No.	Description	Qty each	Qty Total	Part No:
1	Tyre	1	2	
2	Brake drum	1	2	CH-01-42122
3	Bearing	2	4	
4	Big Spacer	1	2	CH-00-42103
5	Small Spacer	4	8	CH-00-42104
6	Bolt M6 x 25	4	8	
7	Washer M6 x 12	4	8	
8	M6 Nylock nut	4	8	
9	Wheel rim	1	2	CH-00-42101
10	Inner tube	1	2	



22_1 Main wheel and brake drum assembly



A



-RIGHT
-LEFT MIRROR IMAGE

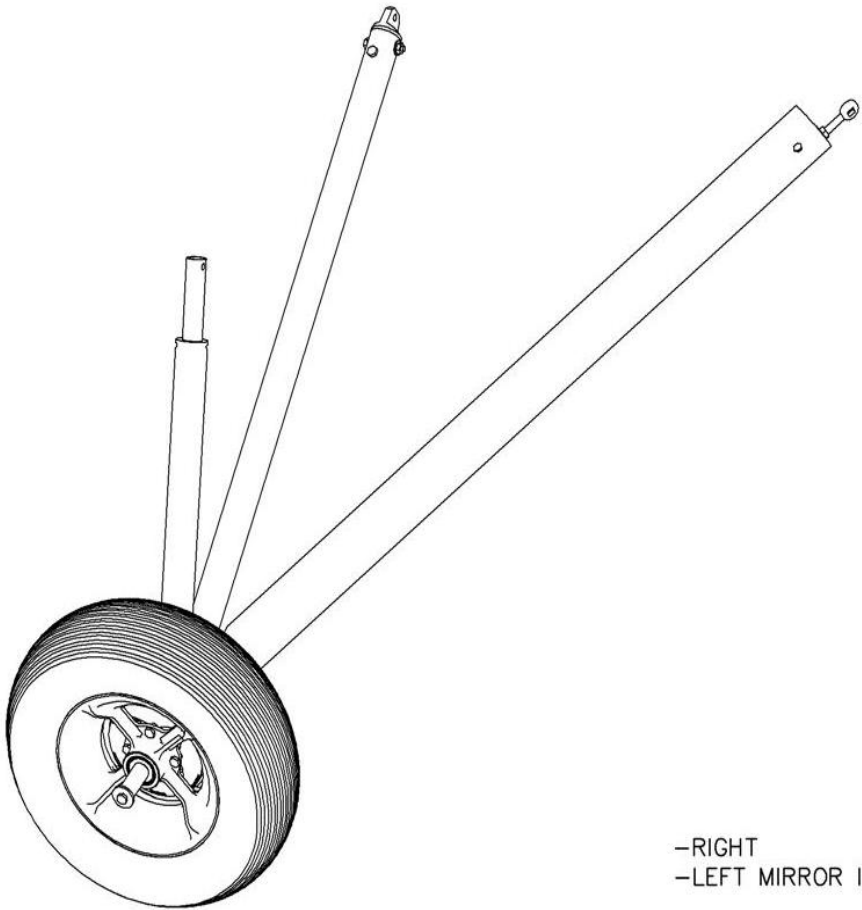
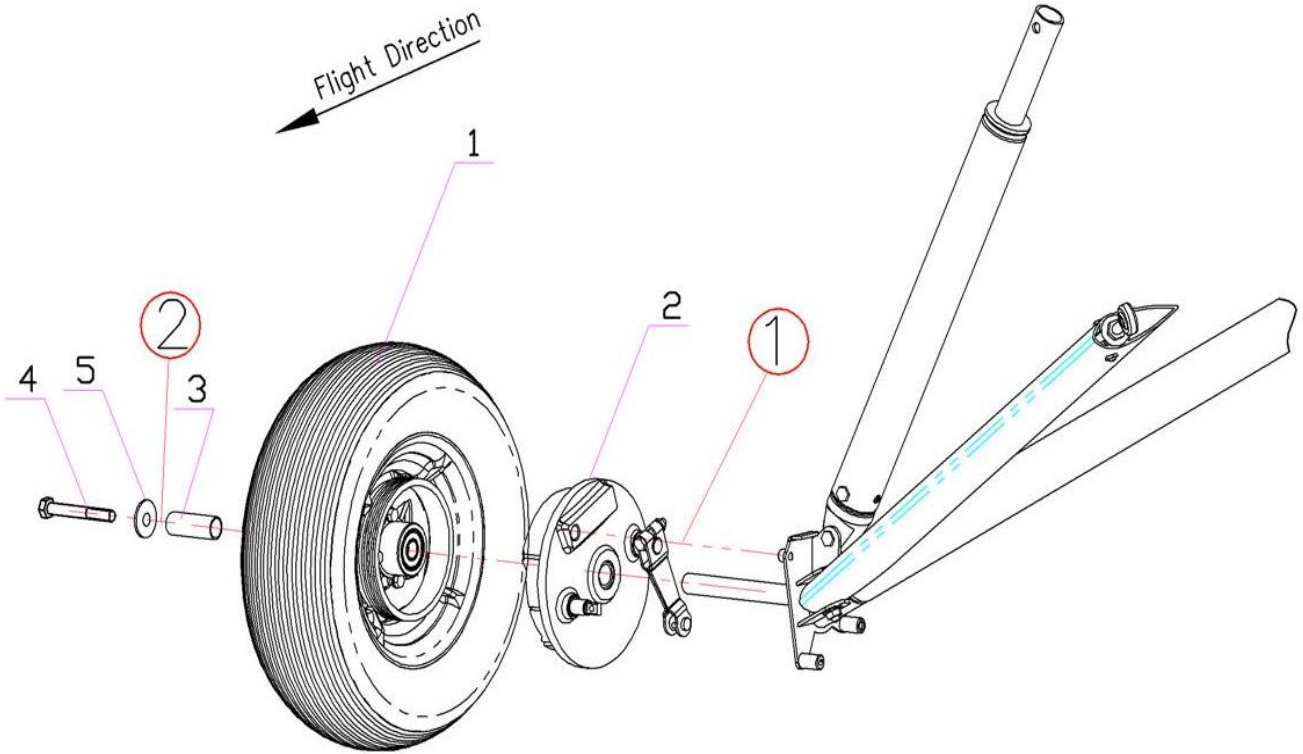


Section 23 Main wheels installation

No.	Description	Qty each	Qty Total	Part No:
1	PAGE 31			
2	PAGE 28			
3	Fairing Spacer	1	2	CH-00-42001
4	Special Bolt M8 x 25	1	2	CH-00-42006
5	Washer M8 x 25	1	2	



23_1 Main wheels installation



-RIGHT
-LEFT MIRROR IMAGE

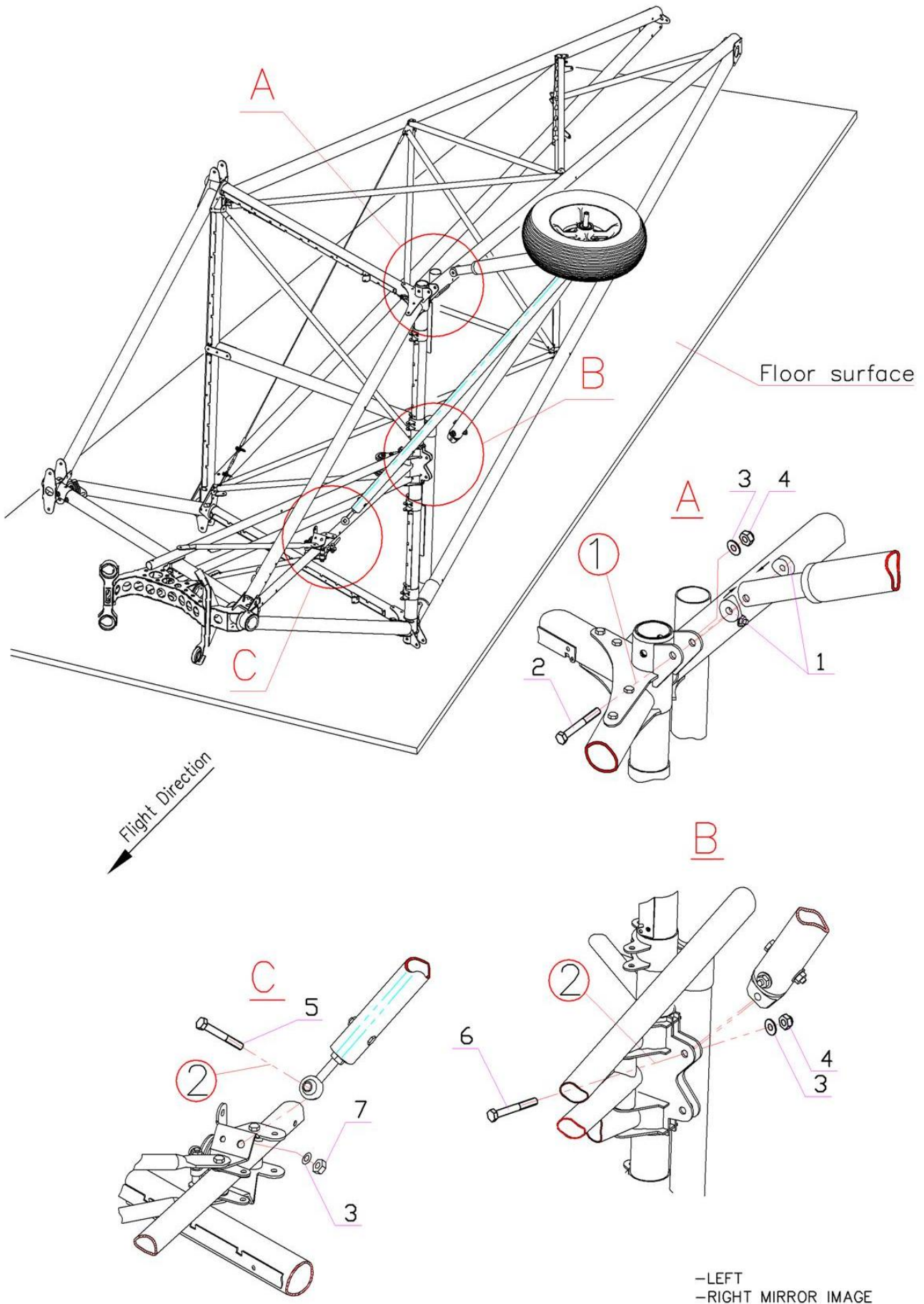


Section 24 Main landing gear installation

No.	Description	Qty each	Qty Total	Part No:
1	Saddle Washer	2	4	CH-00-00014
2	Special Bolt M8 x 53 (Shank 41)	1	2	CH-00-00028
3	Washer M8 x 16	3	6	
4	Nylock Nut M8	2	4	
5	Special Bolt M8 x 28 (Shank 16)	1	2	CH-00-00026
6	Special Bolt M8 x 39 (Shank 27)	1	2	CH-00-00027
7	Temporary Nut M8	1	2	



24_1 Main landing gear installation





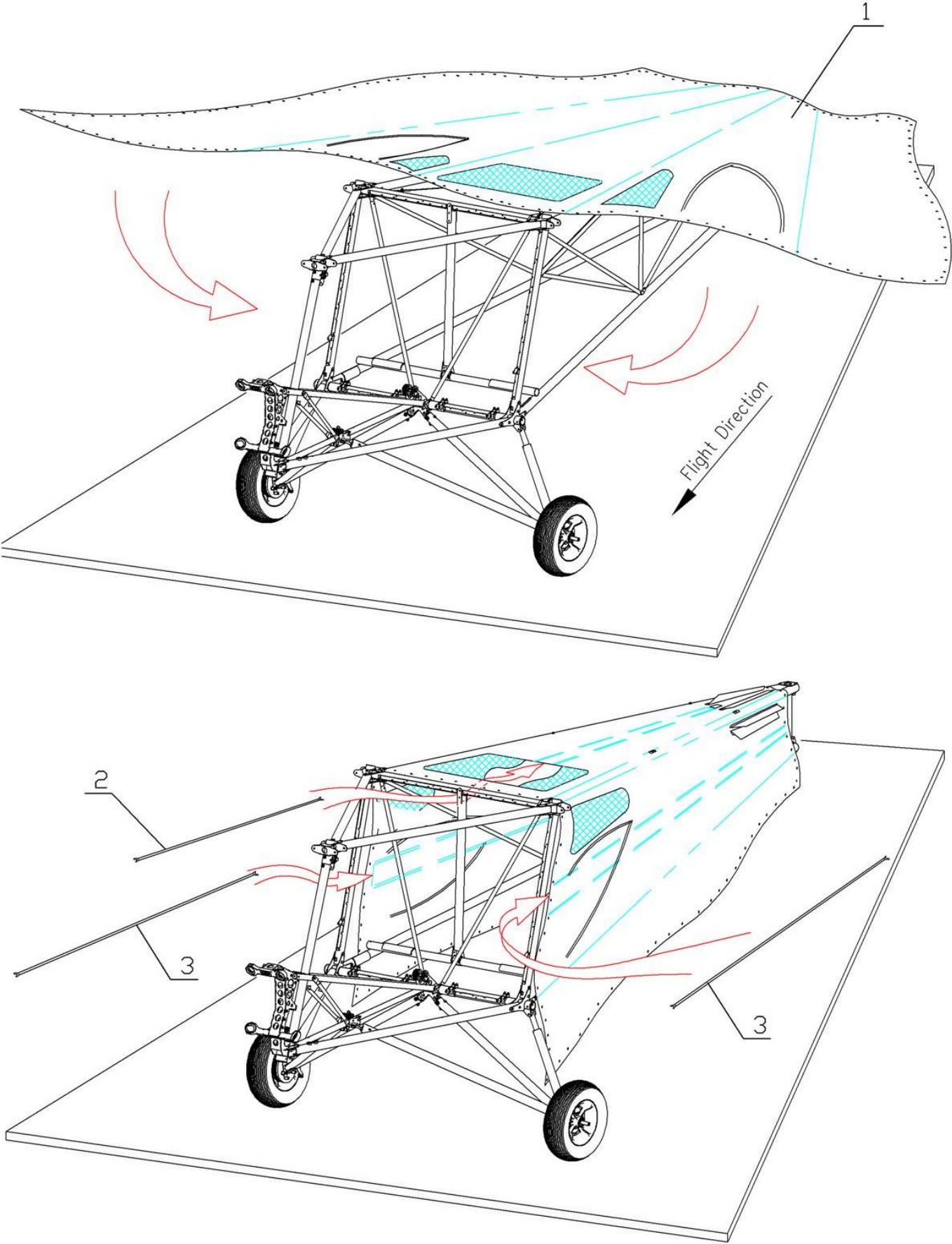
Section 25 Fuselage Sail Installation

No.	Description	Qty each	Qty Total	Part No:
1	Fuselage sail (cover)	1	1	CH-00-17000
2	Top fuselage batten	1	1	CH-00-04340
3	Bottom fuselage batten	2	2	CH-00-04330

Note: Before installing the sail clean the frame with acetone and then rub with baby powder.



25_1 Fuselage sail installation

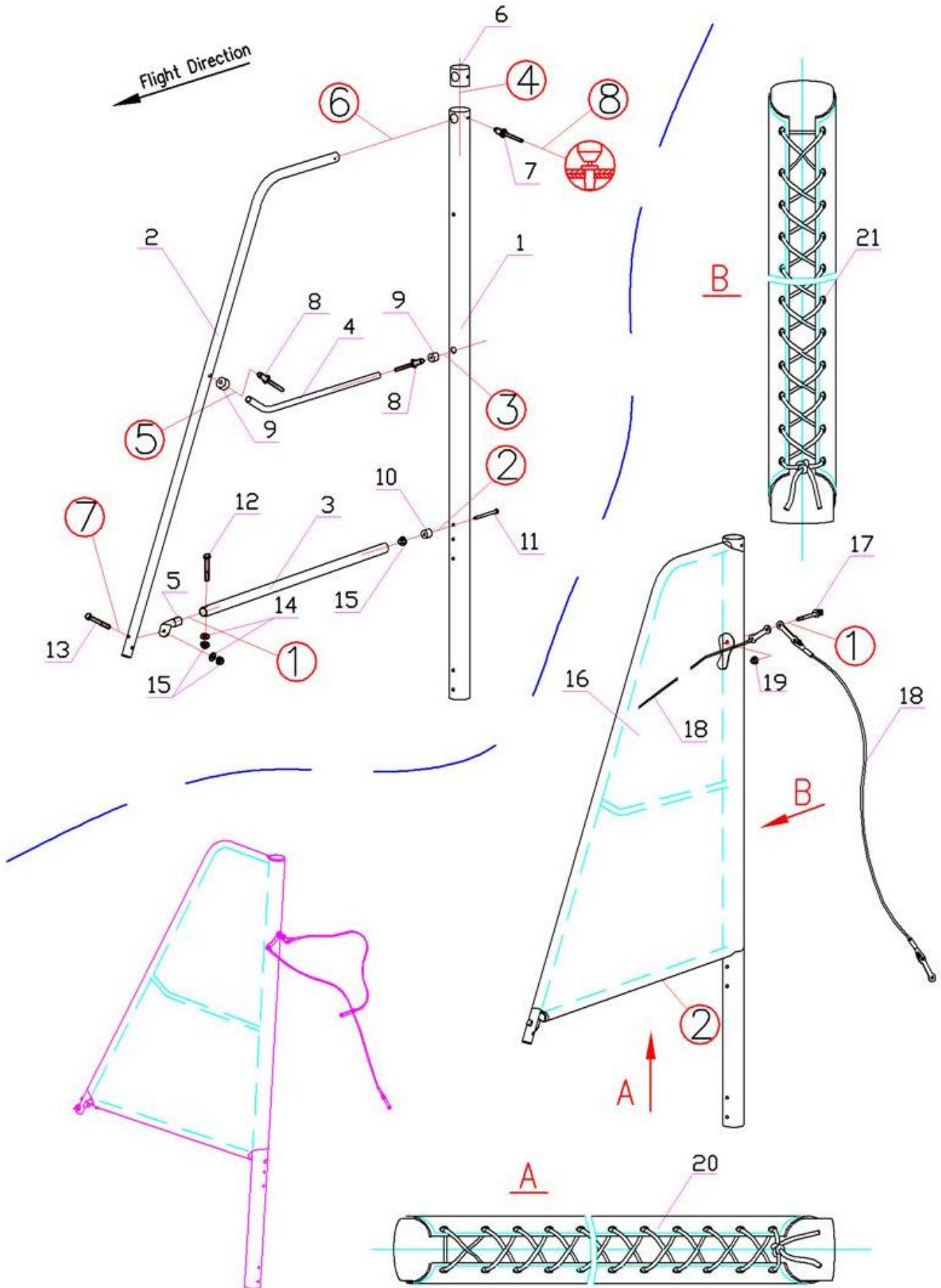


**Section 26 Vertical stabilizer assembly**

No.	Description	Qty each	Qty Total	Part No:
1	Trailing edge tube	1	1	CH-00-31121
2	Leading edge tube	1	1	CH-00-31111
3	Bottom Strut	1	1	CH-00-31101
4	Middle Strut	1	1	CH-00-31102
5	Goose foot vertical stabilizer	1	1	CH-00-31104
6	Sleeve	1	1	CH-00-31103
7	Pop Rivet di 4.8 x 20 St Steel	1	1	
8	Pop Rivet di 3.2 x 10 St Steel	2	2	
9	Bush	2	2	CH-00-22112
10	Support Saddle Bush	1	1	CH-00-31105
11	Bolt M5 x 60	1	1	
12	Bolt M5 x 25	1	1	
13	Bolt M5 x 30	1	1	
14	Washer M5 x 10	3	3	
15	M5 Nylock Nut	3	3	
16	Vertical stabilizer sail	1	1	CH-00-31300
17	Eye-bolt female	1	1	CH-00-31001
18	Top tension cable	2	2	CH-00-02100
19	M6 Nylock nut	1	1	
20	Polyester string di 2.0 x 2300	1	1	
21	Polyester string di 2.0 x 3500	1	1	



26_1 Vertical stabilizer assembly



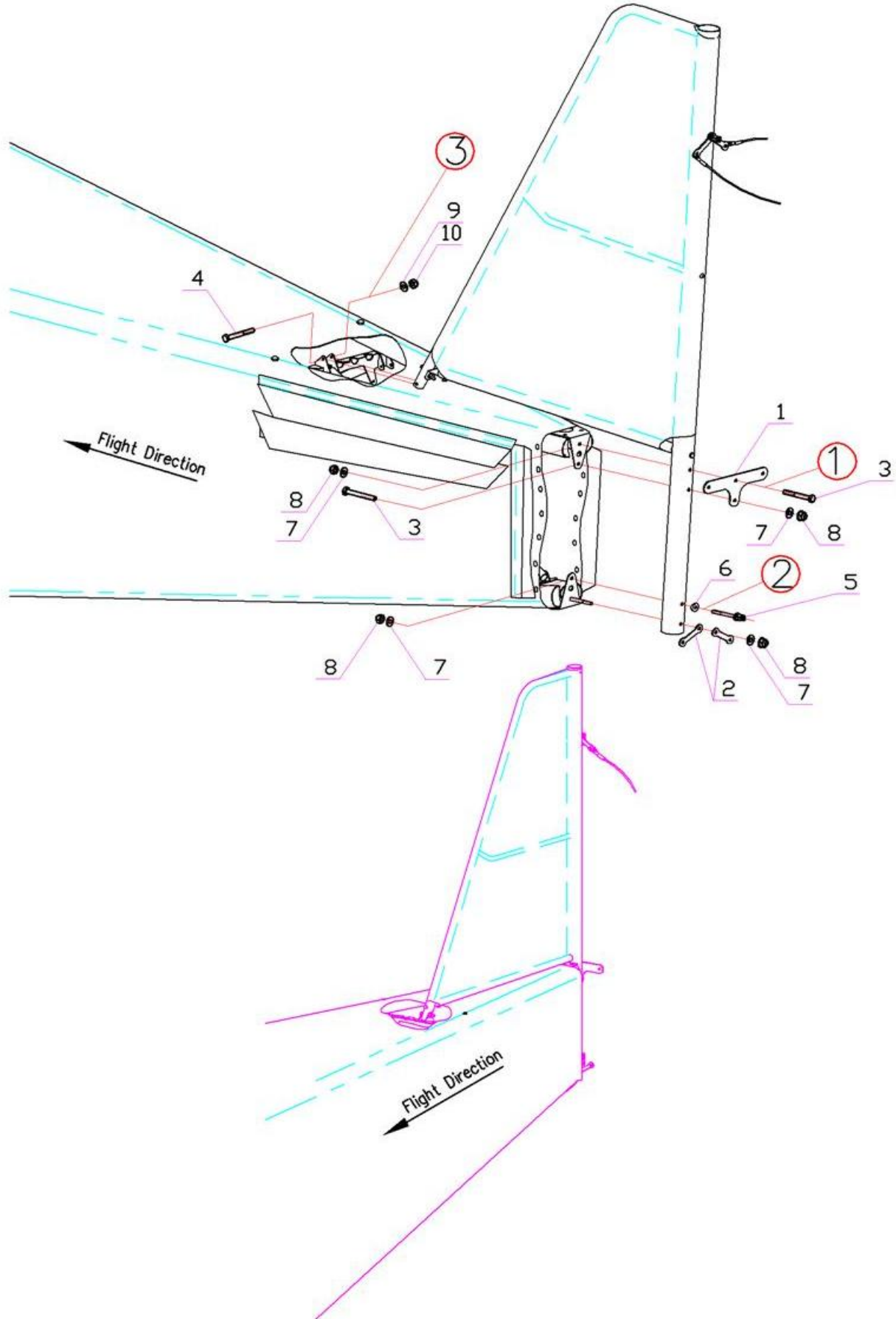


Section 27 Fuselage & Vertical stabilizer installation

No.	Description	Qty each	Qty Total	Part No:
1	Tail Support Bracket	1	1	CH-00-0006
2	Joining Plate	2	2	CH-00-12251
3	Bolt M6 x 55	2	2	
4	Bolt M5 x 30	1	1	
5	Ear Bolt Female	1	1	CH-00-31001
6	Saddle Washer	1	1	CH-00-33001
7	M6 Washer	4	4	
8	M6 Nylock Nut	4	4	
9	Washer M5 x 10	1	1	
10	M5 Nylock Nut	1	1	



27_1 Fuselage & Vertical stabilizer installation





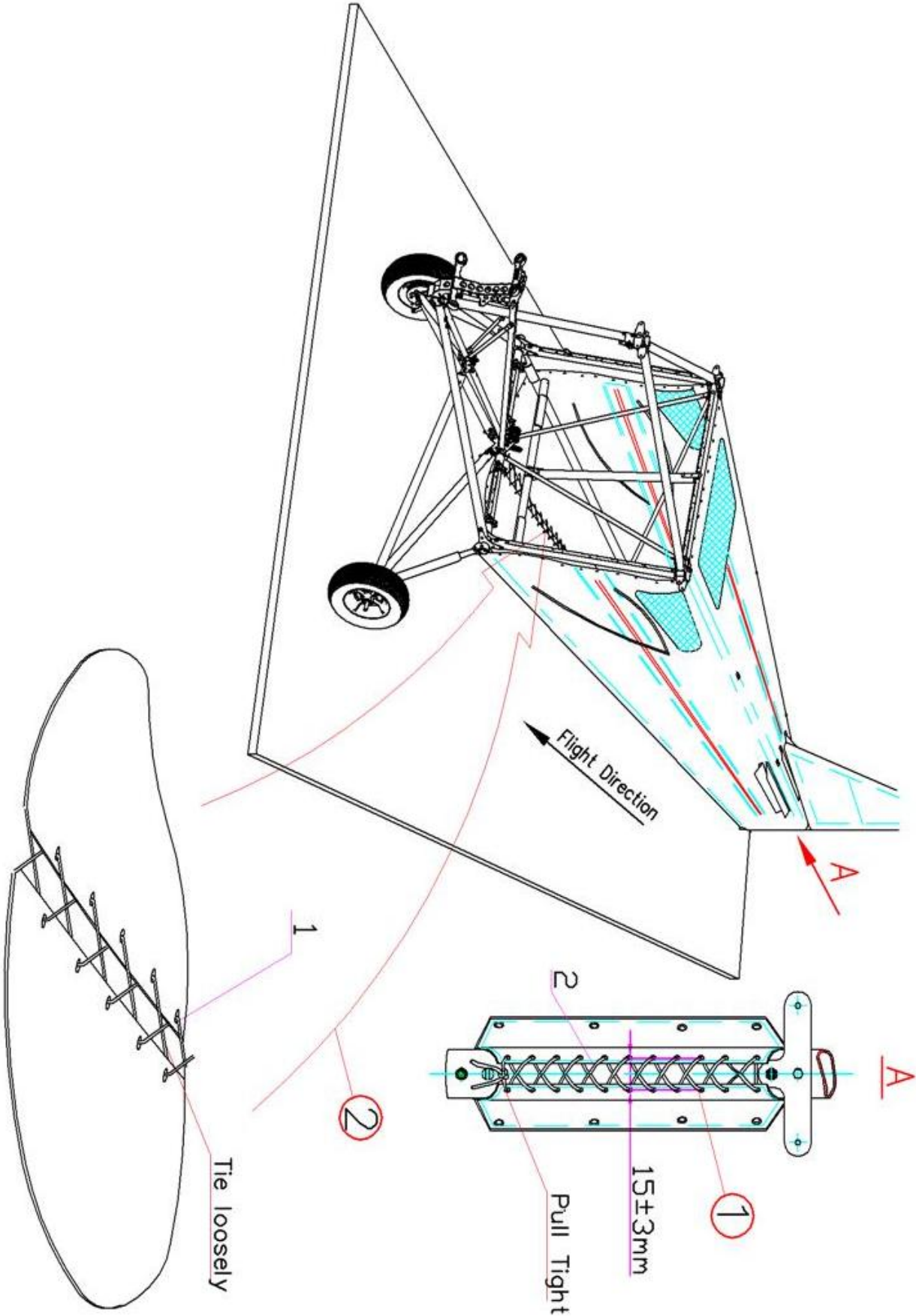
Section 28 Fuselage Sail Fastening

No.	Description	Qty each	Qty Total	Part No:
1	Polyester String L = 10 000mm	1	1	
2	Polyester String L = 1 100mm	1	1	

Note: Fasten fuselage sail loosely using string provided.
Do not fully tighten the string at this point.



28_1 Fuselage sail fastening





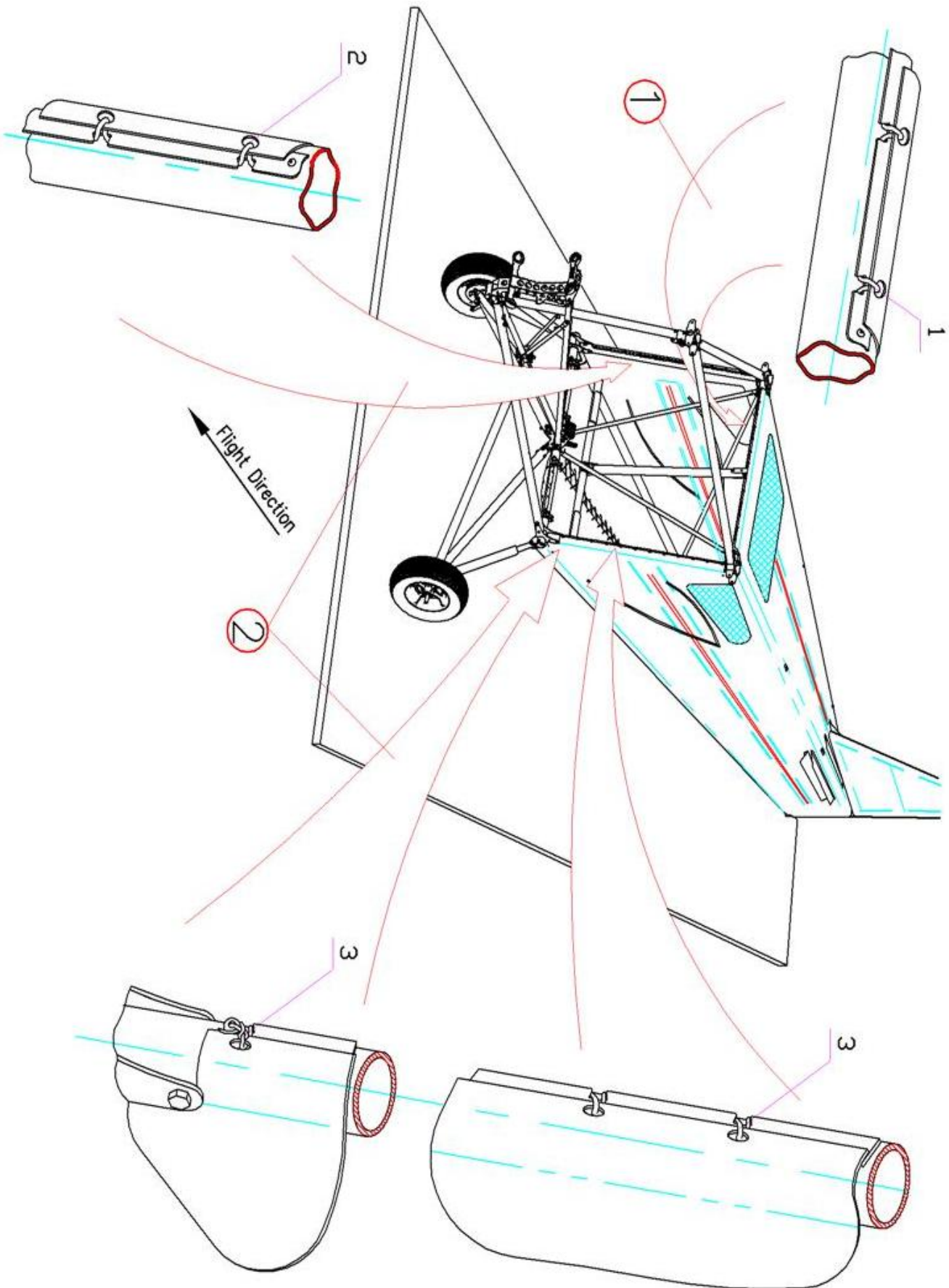
Section 29 Fuselage Sail fastening, front end

No.	Description	Qty each	Qty Total	Part No:
1	Polyester String 2 x 3 500mm	1	1	
2	Polyester String 2 x 2 800mm	1	1	
3	Polyester String 2 x 2 800mm	1	1	

Note: Fasten fuselage sail tightly using string provided.
Make sure sail overlaps fuselage frame as shown in the drawing.



29_1 Fuselage sail fastening, front end



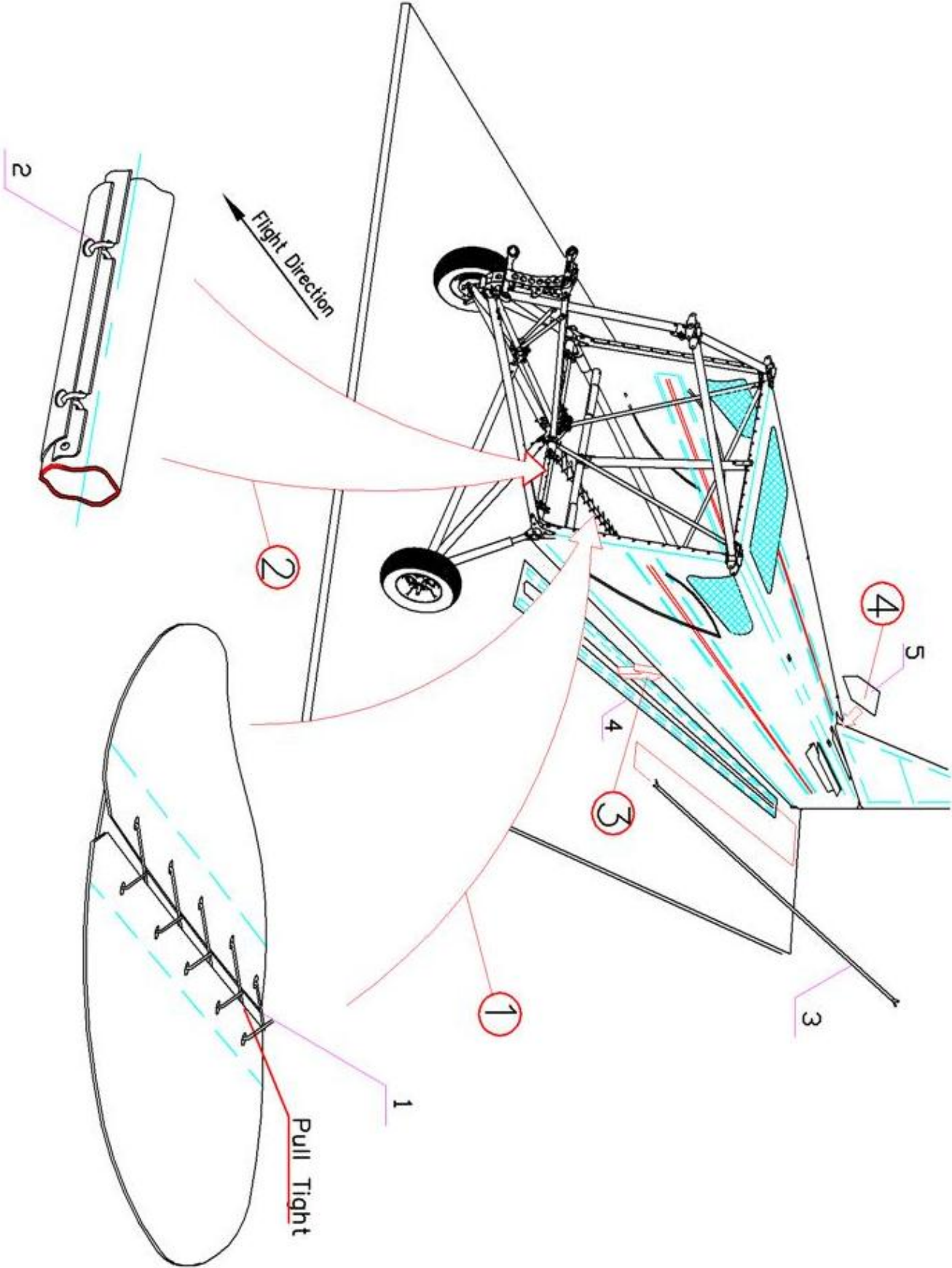


Section 30 Fuselage Sail fastening, bottom and front end

No.	Description	Qty each	Qty Total	Part No:
1	Page 42	1	1	
2	Polyester String 2 x 1600	2	2	
3	Bottom batten	1	1	CH-00-04350
4	Bottom cover(Velcro)	1	1	CH-00-17500
5	Fin cover(Velcro)	1	1	CH-00-17400



30_1 Fuselage sail fastening, bottom and front end



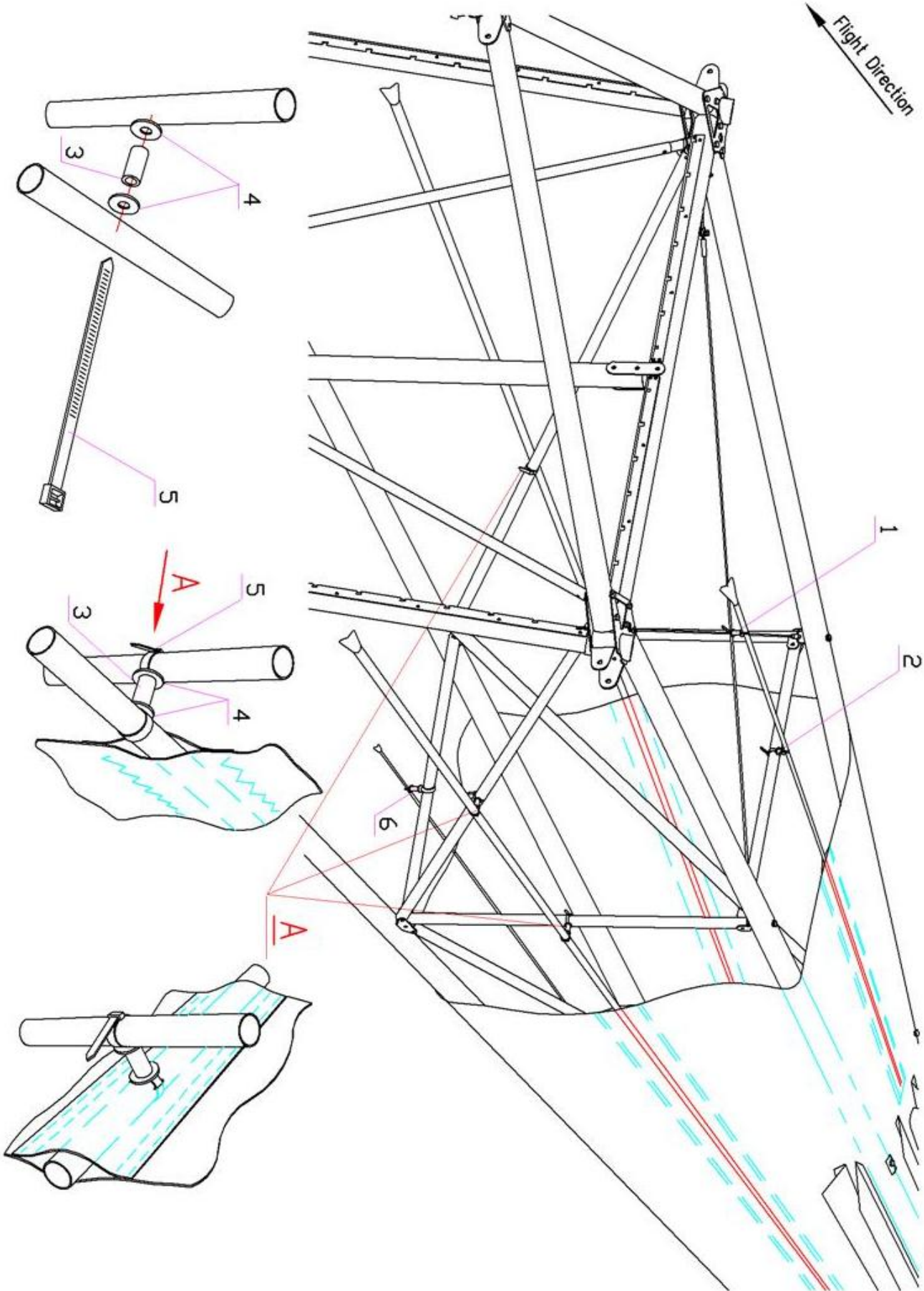


Section 31 Fuselage Sail fastening to fuselage frame

No.	Description	Qty each	Qty Total	Part No:
1	Sleeve	1	1	CH-00-10004
2	Sleeve	1	1	CH-00-10008
3	Sleeve	6	6	CH-00-10007
4	Washer M5 x 16	14	14	
5	Tie wrap 4.7 x 305	7	7	
6	Sleeve	1	1	CH-00-10013



31_1 Fuselage sail fastening to fuselage frame



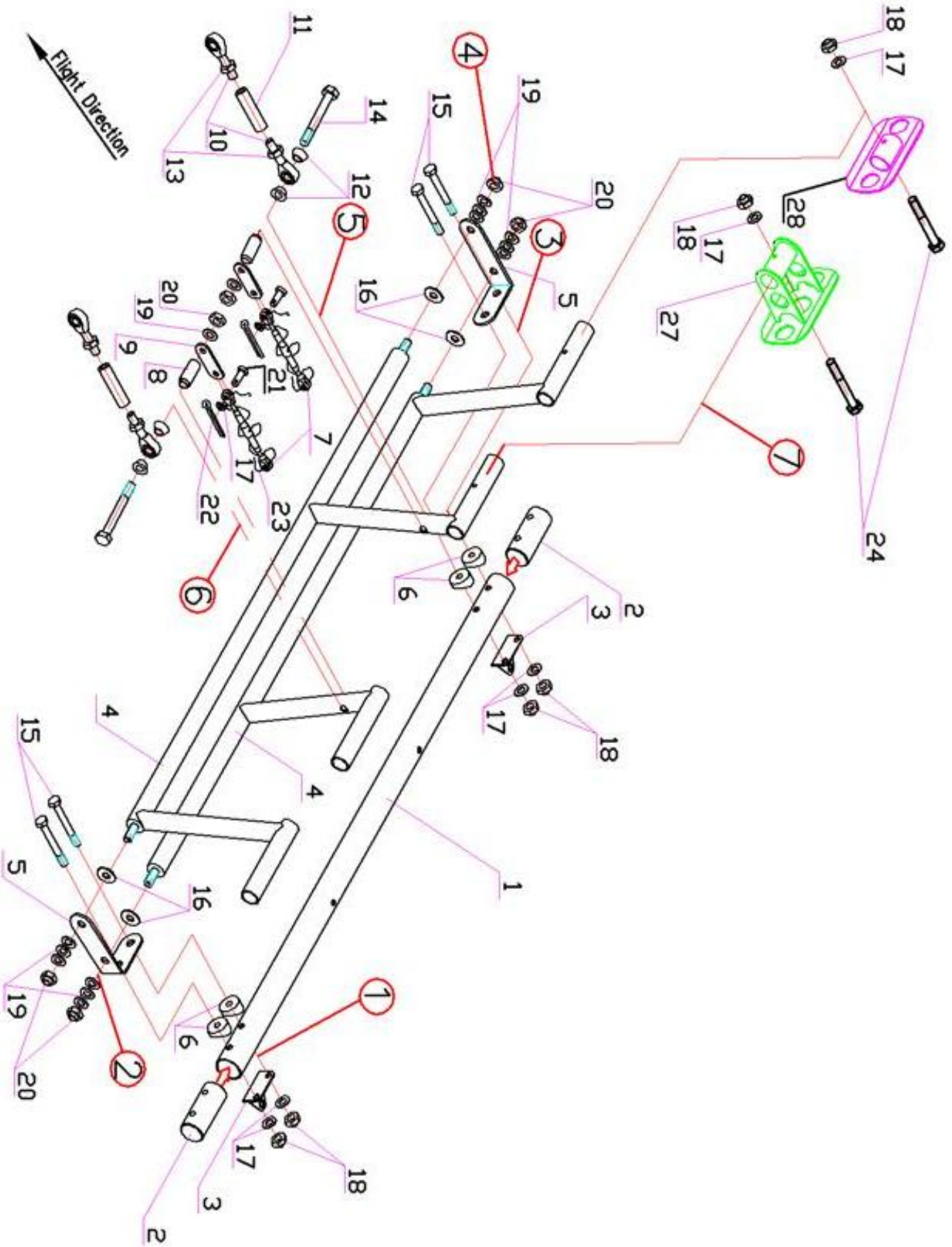


Section 32 Rudder pedals assembly

No.	Description	Qty each	Qty Total	Part No:
1	Pedal bracket tube	1	1	CH-00-61206
2	Strengthening bush	2	2	CH-00-61208
3	Floor mounting bracket	2	2	CH-00-61250
4	Pedals	2	2	CH-00-61210
5	Pedal bracket	2	2	CH-00-61205
6	Saddle washer	4	4	CH-00-61209
7	Turnbuckle	2	2	CH-00-12260
8	Spacer	2	2	CH-00-61203
9	Interchange plate	2	2	CH-00-61207
10	M8 eye bolt bearing	4	4	
11	Threaded bush	2	2	CH-00-61201
12	Conical spacer bush	4	4	CH-00-61221
13	M8 Thin nut	4	4	
14	Bolt M8 x 90	2	2	
15	Bolt M6 x 45	4	4	
16	Anti friction washer	4	4	CH-00-61202
17	Washer M6 x 12	10	10	
18	M6 nylock nut	8	8	
19	Washer M8 x 16	16	16	
20	M8 nylock nut	6	6	
21	M6 clevis pin	2	2	CH-00-61502
22	Split pin di 2.0 x 20	2	2	
23	Pedal extensions	4	4	CH-00-61260
24	Bolt M6 x 30	4	4	
25	Safety wire di 0.9 x 400	2	2	
26	Sport pedal	4	4	CH-00-61270

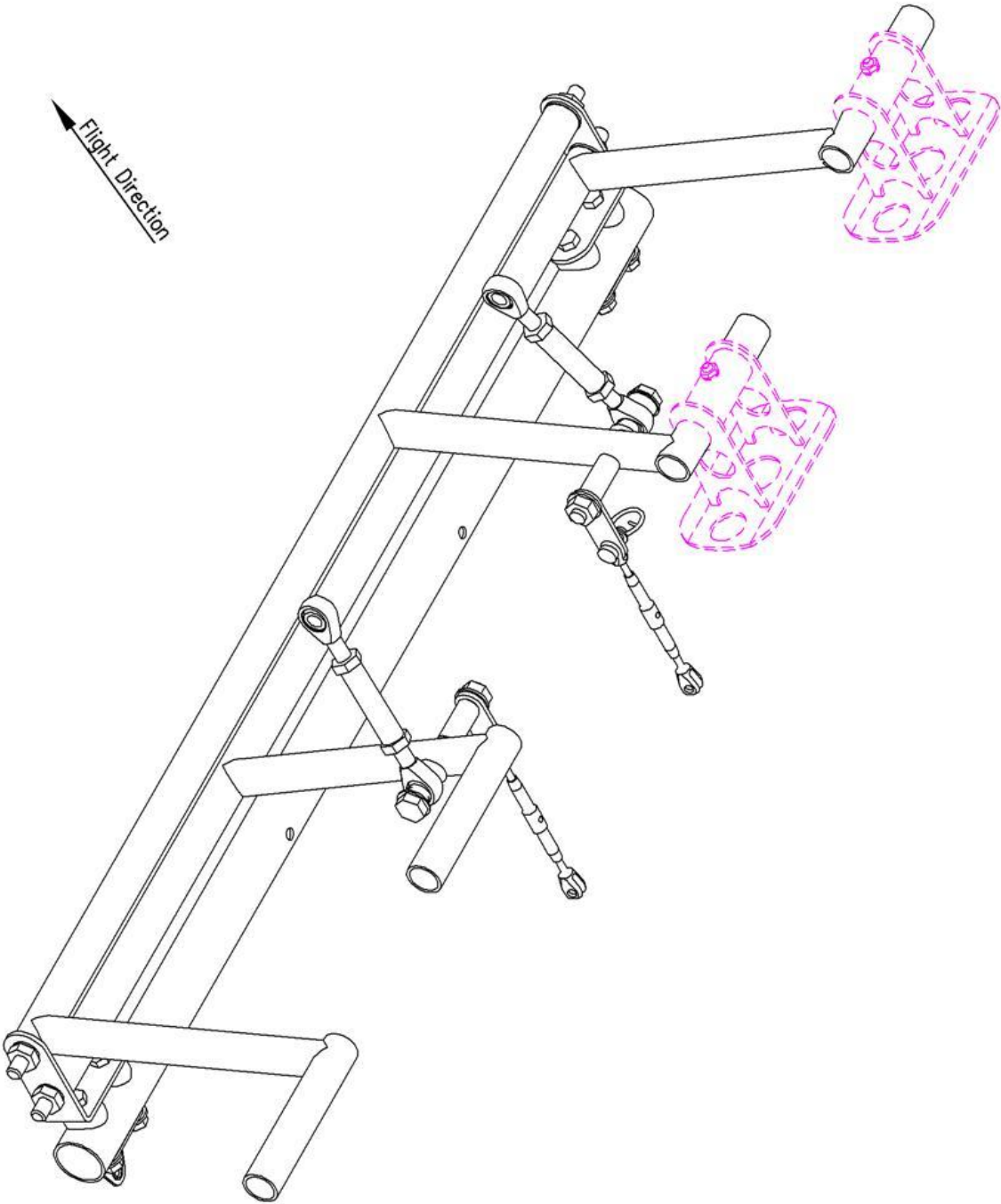


32_1 Rudder pedals assembly





32_2 Rudder pedals assembly(overview)



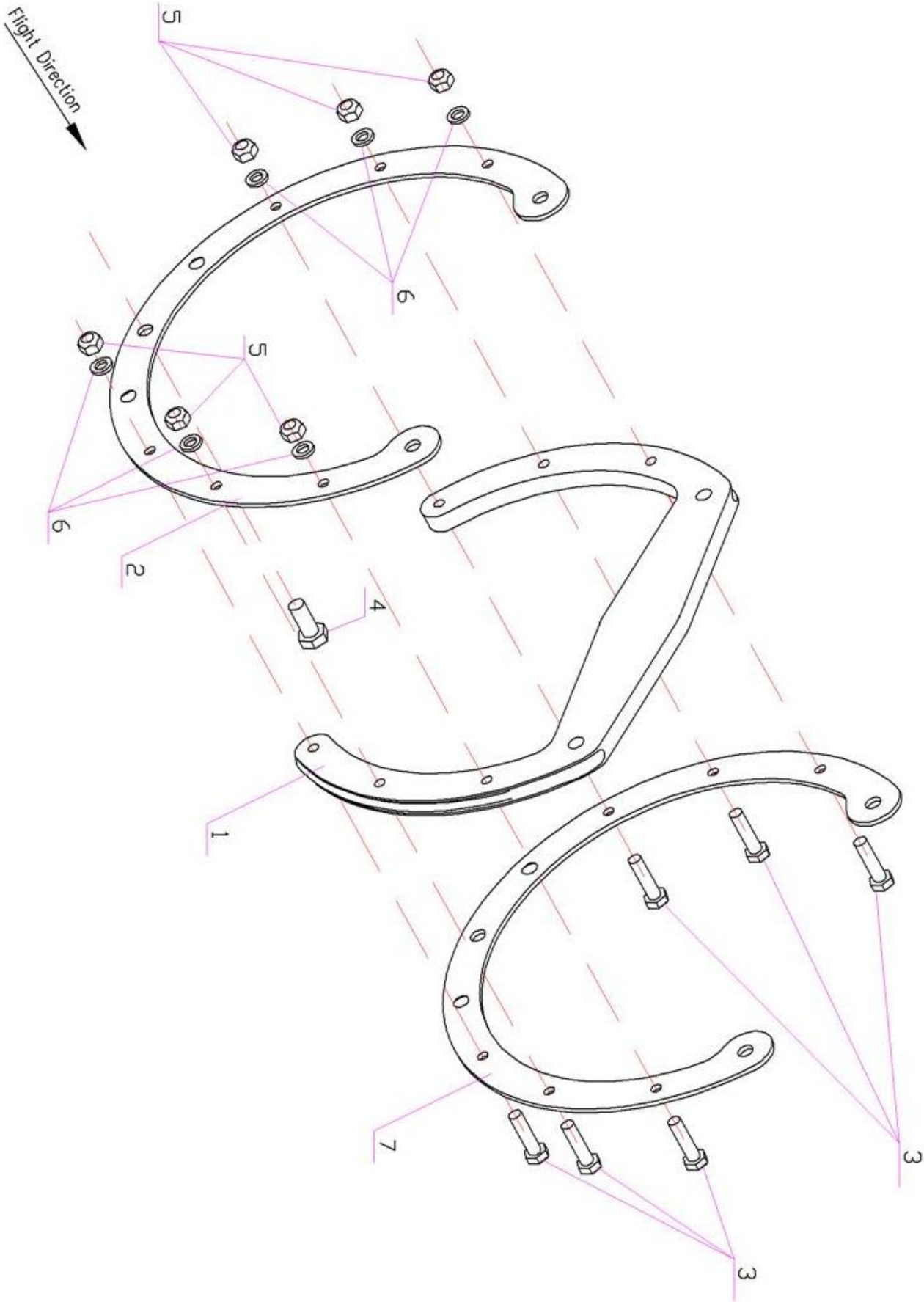


Section 33 Joystick pulley assembly

No.	Description	Qty each	Qty Total	Part No:
1	Joystick pulley	1	1	CH-00-61310-12
2	Joystick pulley support plate	1	1	CH-00-61310-11
3	Bolt M5 x 20 button head cap screw	6	6	
4	Pedal Bolt M6 x 20	1	1	
5	M5 nylock nut	6	6	
6	M5 flat washer	6	6	
7	Joystick pulley plate front	1	1	CH-00-61310-14



33_1 Joystick pulley assembly



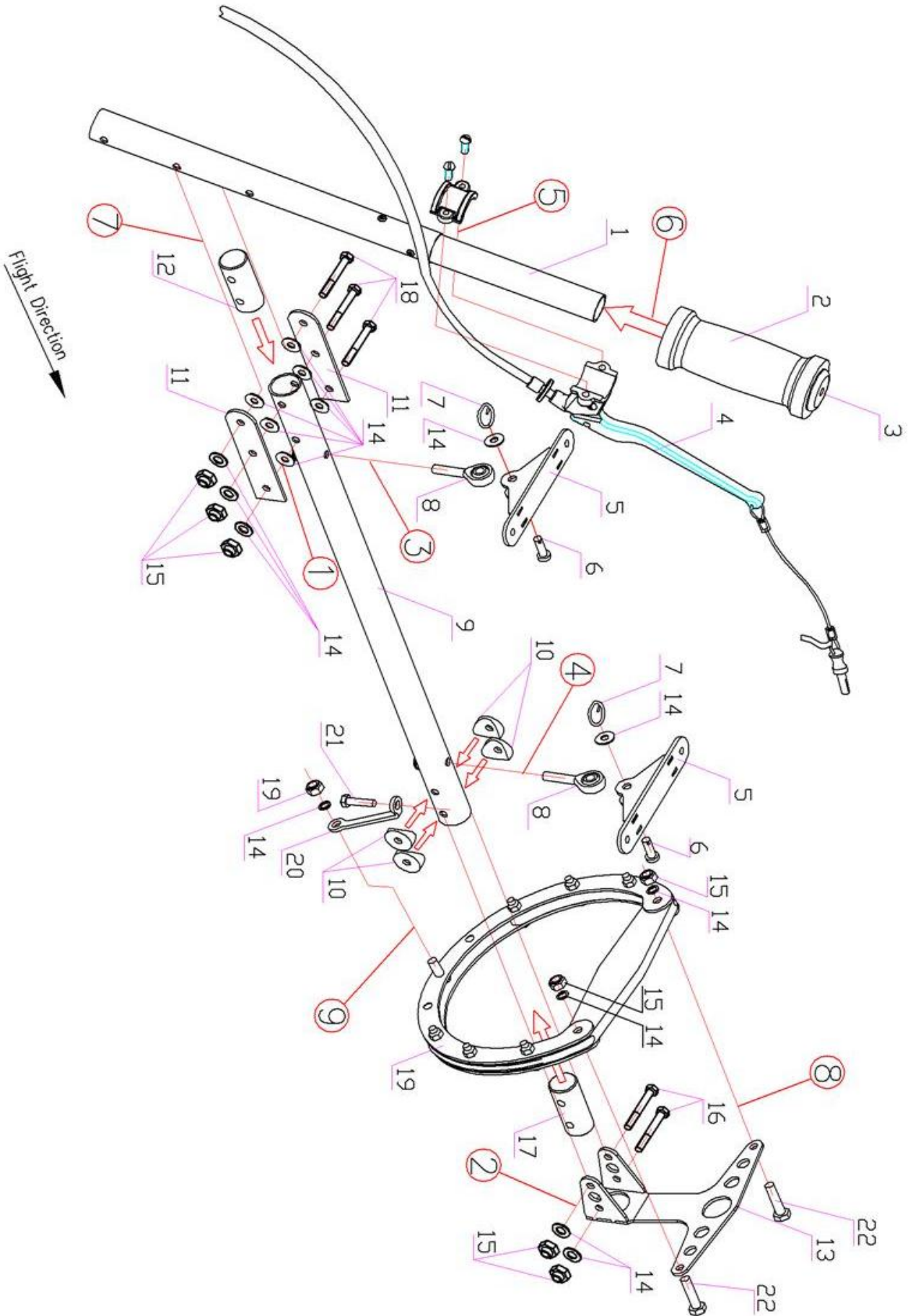


Section 34 Joystick assembly

No.	Description	Qty each	Qty Total	Part No:
1	Main joystick tube	1	1	CH-00-61410-10
2	Sponge handle	1	1	CH-00-61411
3	End cap	1	1	CH-00-61412
4	Brake lever	1	1	CH-00-61410-20
5	Swivel bracket	2	2	CH-00-12090
6	Taperd clevis pin M6 x 20	2	2	
7	Split pin di 2.0 x 20	2	2	
8	M6 eye bolt bearing	2	2	
9	Axis tube	1	1	CH-00-61310-21
10	Saddle washer	4	4	CH-00-61313
11	Joystick mounting plate	2	2	CH-00-61312
12	Strengthening bush	1	1	CH-00-61310-22
13	Joystick pulley mounting bracket	1	1	CH-00-61310-10
14	Washer M6 x 12	16	16	
15	Nylock nut M6	8	8	
16	Bolt M6 x 45 (shank 27)	2	2	
17	Strengthening bush	1	1	CH-00-61310-23
18	Bolt M6 x 40	3	3	
19	Page 48	1	1	
20	Joystick pulley support bracket	1	1	CH-00-61311
21	Bolt M6 x 16	1	1	
22	Bolt M6 x 25	2	2	



34_1 Joystick assembly



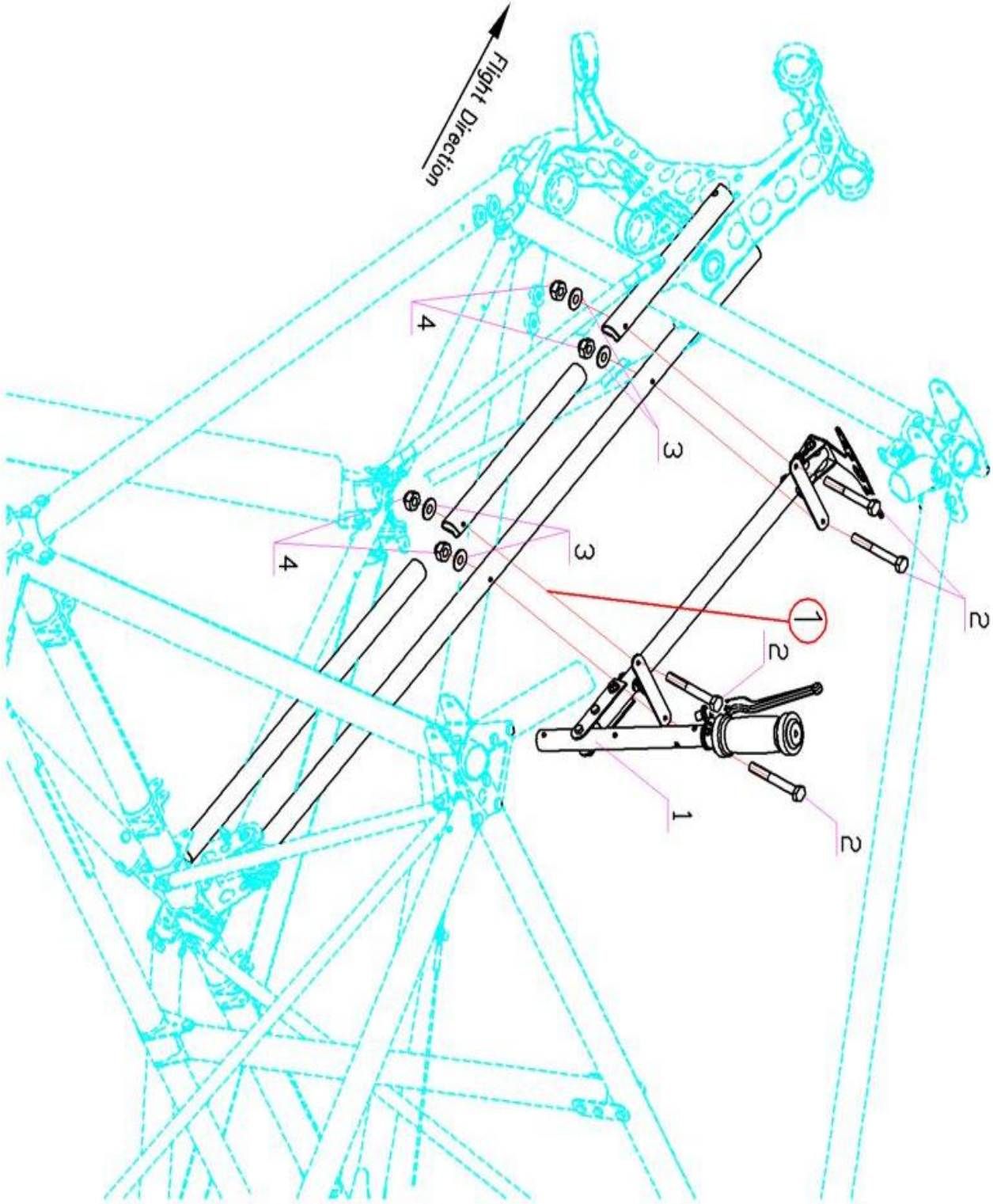


Section 35 Joystick installation

No.	Description	Qty each	Qty Total	Part No:
1	Page 49	1	1	
2	Bolt M5 x 40	4	4	
3	Washer M5 x 10	4	4	
4	Nylock nut M5	4	4	



35_1 Joystick installation



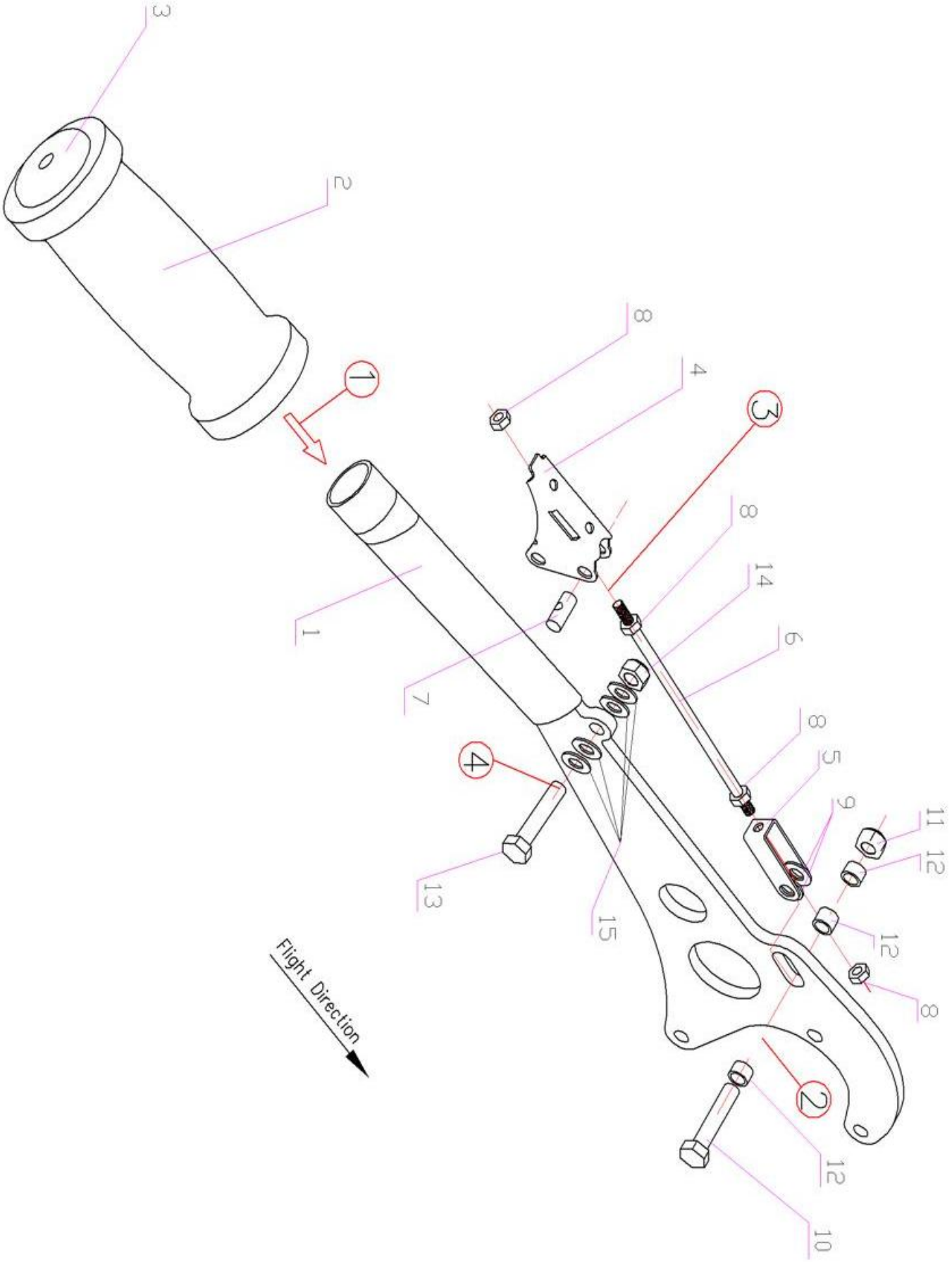


Section 36 Flap handle assembly

No.	Description	Qty each	Qty Total	Part No:
1	Flap handle	1	1	CH-00-61120-10
2	Sponge handle	1	1	CH-00-61411
3	End plug	1	1	CH-00-61129
4	Trigger	1	1	CH-00-61121
5	U-shaped bracket	1	1	CH-00-61122
6	Push rod	1	1	CH-00-61124
7	Bush	1	1	CH-00-61125
8	M4 flat nut	1	1	
9	M5 flat washer	2	2	
10	Bolt M5 x 30	1	1	
11	M5 nylock nut	1	1	
12	Spacer	3	3	CH-00-61126
13	Bolt M6 x 20	1	1	
14	M6 nylock nut	1	1	
15	M6 flat washer	5	5	



36_1 Flap handle assembly



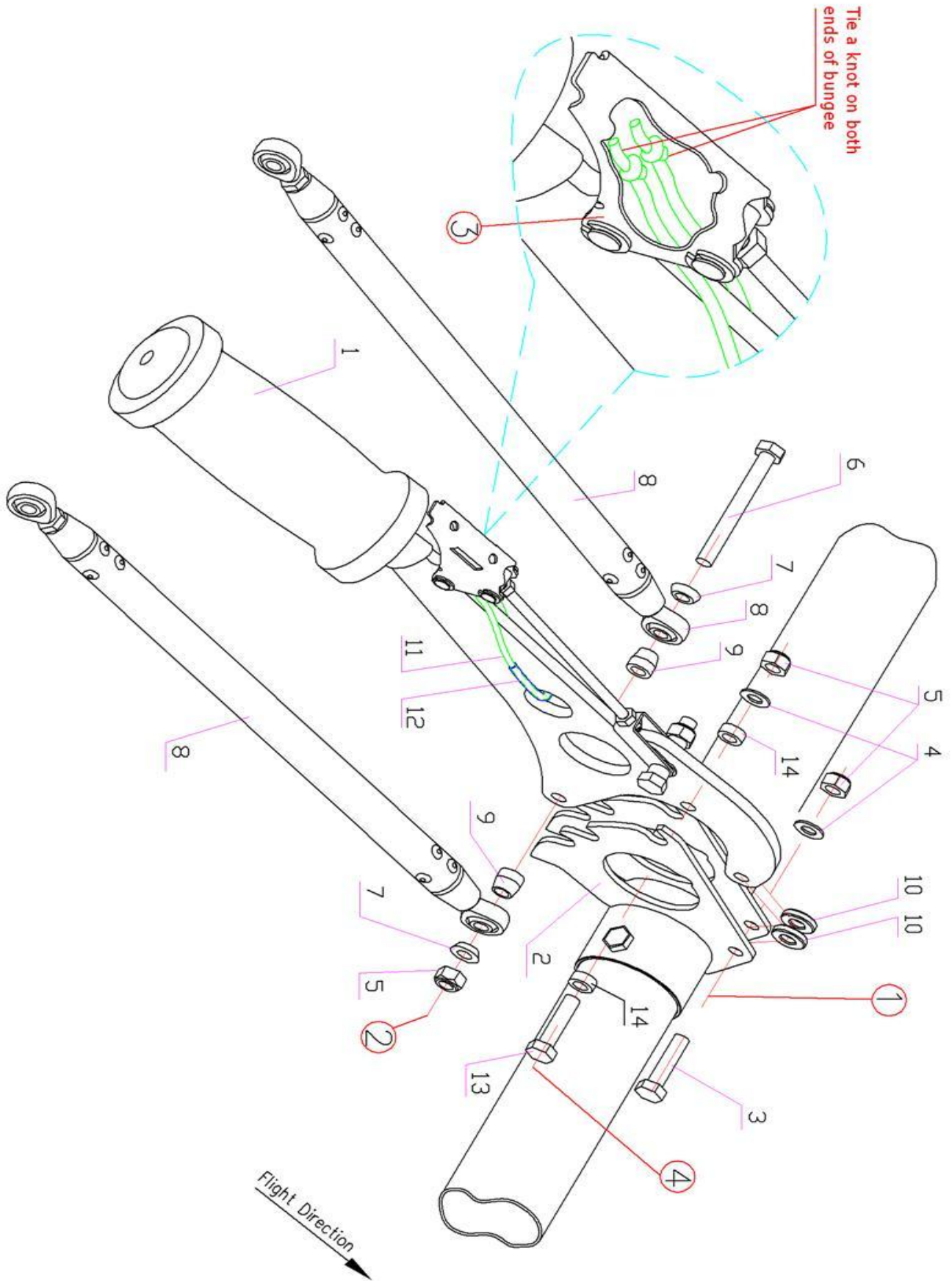


Section 37 Flap handle installation

No.	Description	Qty each	Qty Total	Part No:
1	Section 36	1	1	
2	Section 9 .n19	1	1	
3	Bolt M6 x 25	1	1	
4	M6 flat washer	2	2	
5	M6 nylock nut	3	3	
6	Bolt M6 x 55	1	1	
7	Cone shaped spacer	2	2	CH-00-21100-33
8	Push rod	2	2	CH-00-61130
9	Cone shaped spacer	2	2	CH-00-61101
10	Spacer	2	2	CH-00-61104
11	Bungee cord - di 5.0 x 200	1	1	
12	Clear PVC tube - 0.5 x 30	1	1	
13	Bolt M6 x 35	1	1	
14	Spacer bush	2	2	CH-00-61506



37_1 Flap handle installation



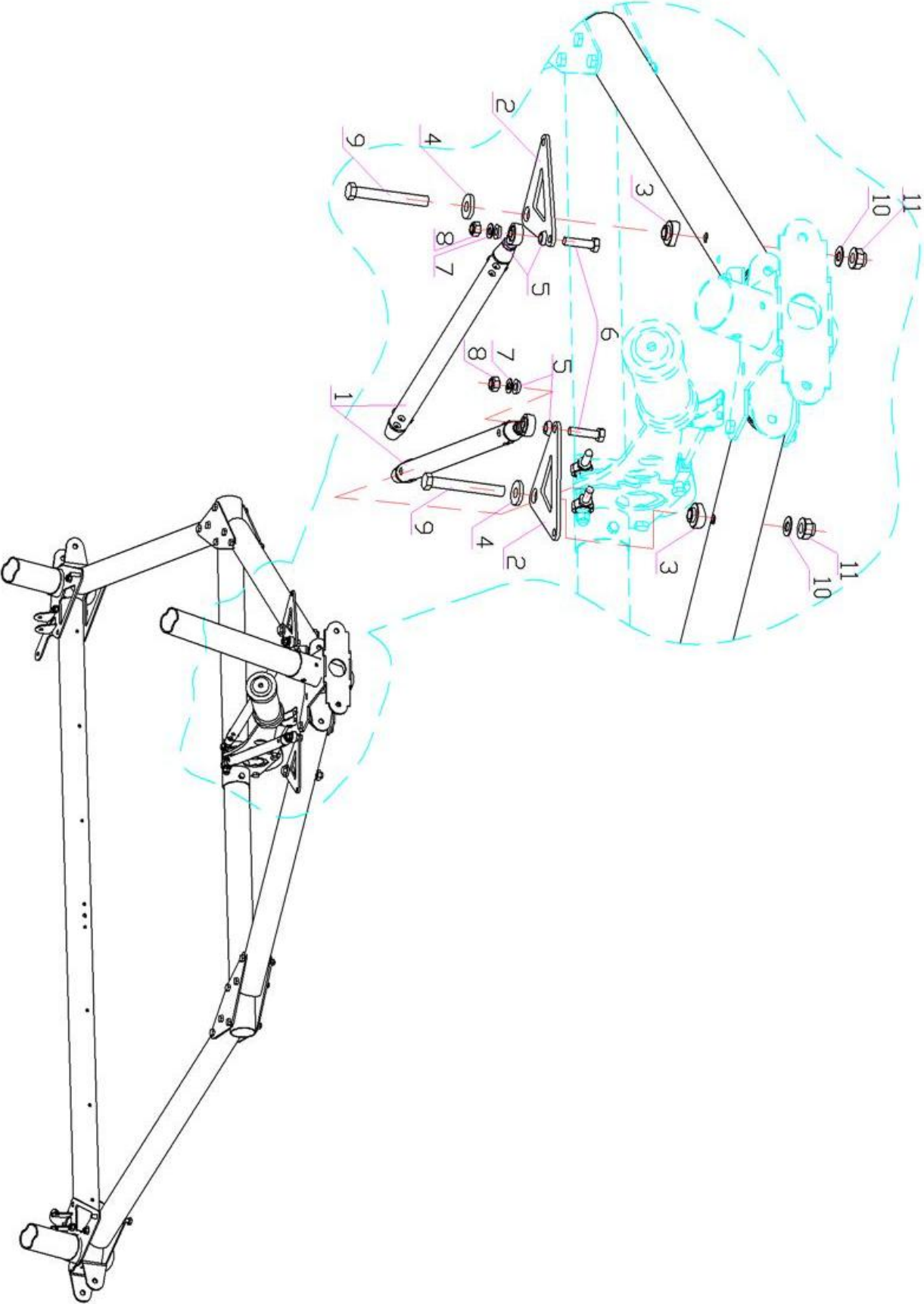


Section 38 Flap push rod installation(in cockpit)

No.	Description	Qty each	Qty Total	Part No:
1	Flap push rod	2	2	CH-00-61130
2	Bell crank plate	2	2	CH-00-61102
3	Saddle washer	2	2	CH-00-21185
4	Plastic washer	2	2	CH-00-21183
5	Cone shaped spacer	4	4	
6	Bolt M6 x 25	2	2	
7	M6 flat washer	2	2	
8	M6 nylock nut	2	2	
9	Bolt M8 x 65	2	2	
10	M8 flat washer	2	2	
11	M8 nylock nut	2	2	



38_1 Flap push rod installation(in cockpit)



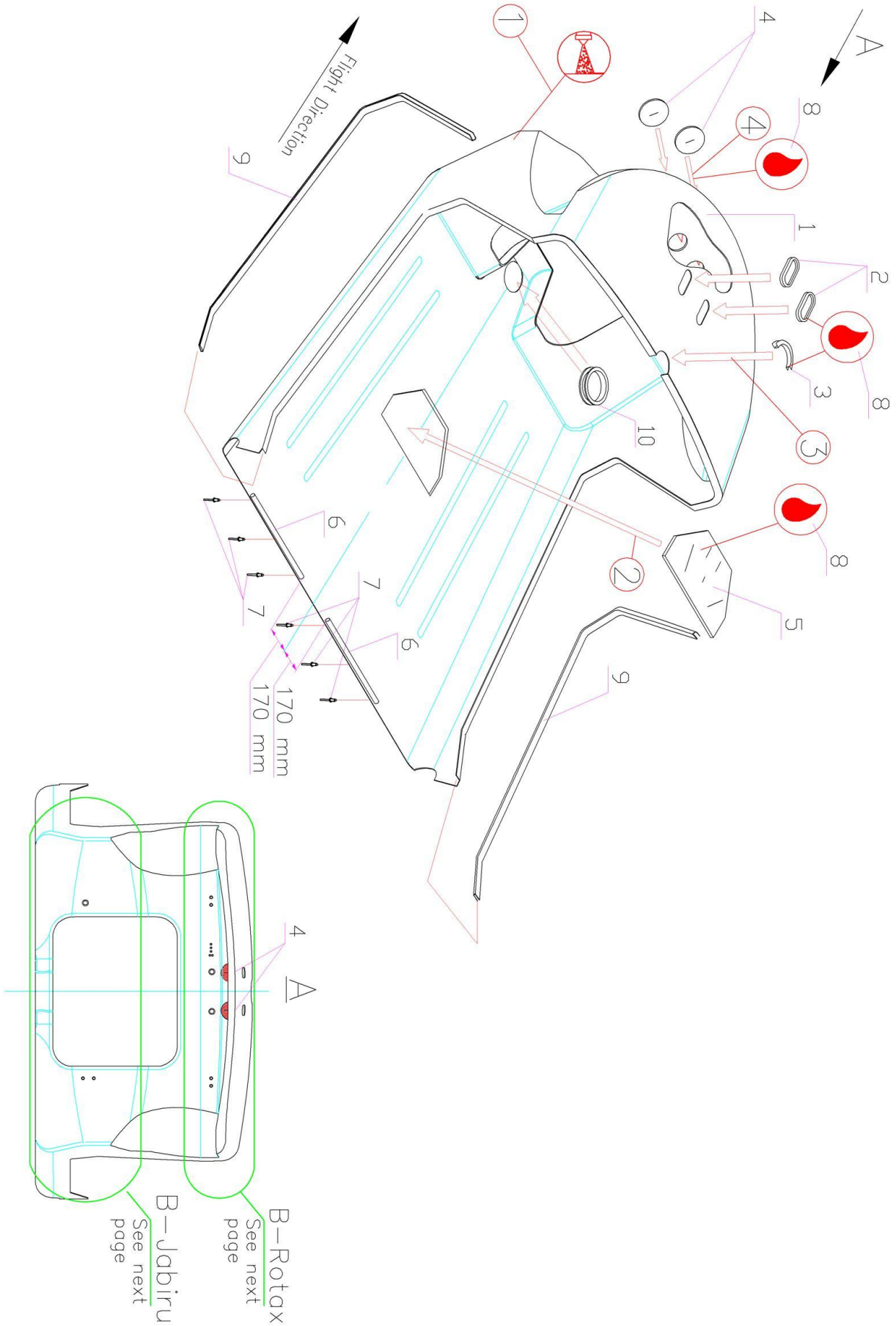


Section 39 Main fairing preparation

No.	Description	Qty each	Qty Total	Part No:
1	Main fairing	1	1	CH-00-19101
2	Rubber strip = 220mm	2	2	CH-00-19106
3	Rubber strip = 190mm	1	1	CH-00-19107
4	Nose strut valve	2	2	CH-00-19109
5	Central valve	1	1	CH-00-19102
6	Strengthening tube	2	2	CH-00-19103
7	Pop rivet di 3.2 x 8 Aluminium	6	6	
8	Super glue	2	2	
9	U – channel rubber 1.5 x 1400	2	2	CH-00-19108
10	U – channel rubber 1.5 x 280	1	1	CH-00-19125



39_1 Main fairing preparation





Section 40 Main fairing preparation

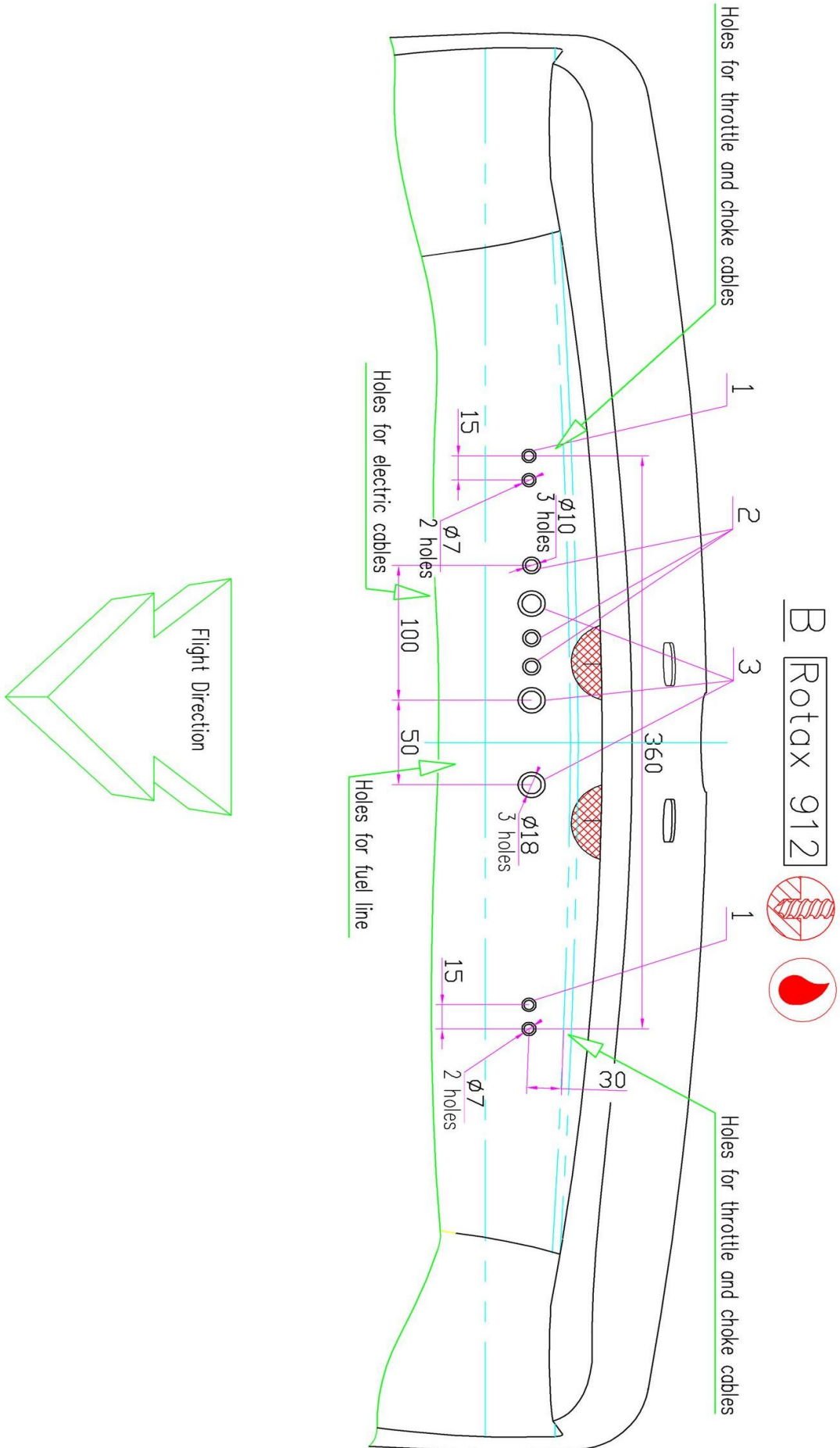
No.	Description - (ROTAX 912)	Qty each	Qty Total	Part No:
1	Grommet – 10.0 x 6.0	4	4	
2	Grommet – 13.0 x 8.0	1	1	
3	Grommet – 24.0 x 12.0	4	4	

No.	Description - (ROTAX 582)	Qty each	Qty Total	Part No:
1	Grommet – 10.0 x 6.0	4	4	
2	Grommet – 24.0 x 12.0	1	1	

No.	Description - (JABIRU)	Qty each	Qty Total	Part No:
1	Grommet – 13.0 x 8.0	4	4	
2	Grommet – 24.0 x 12.0	1	1	



40_1 Main fairing preparation

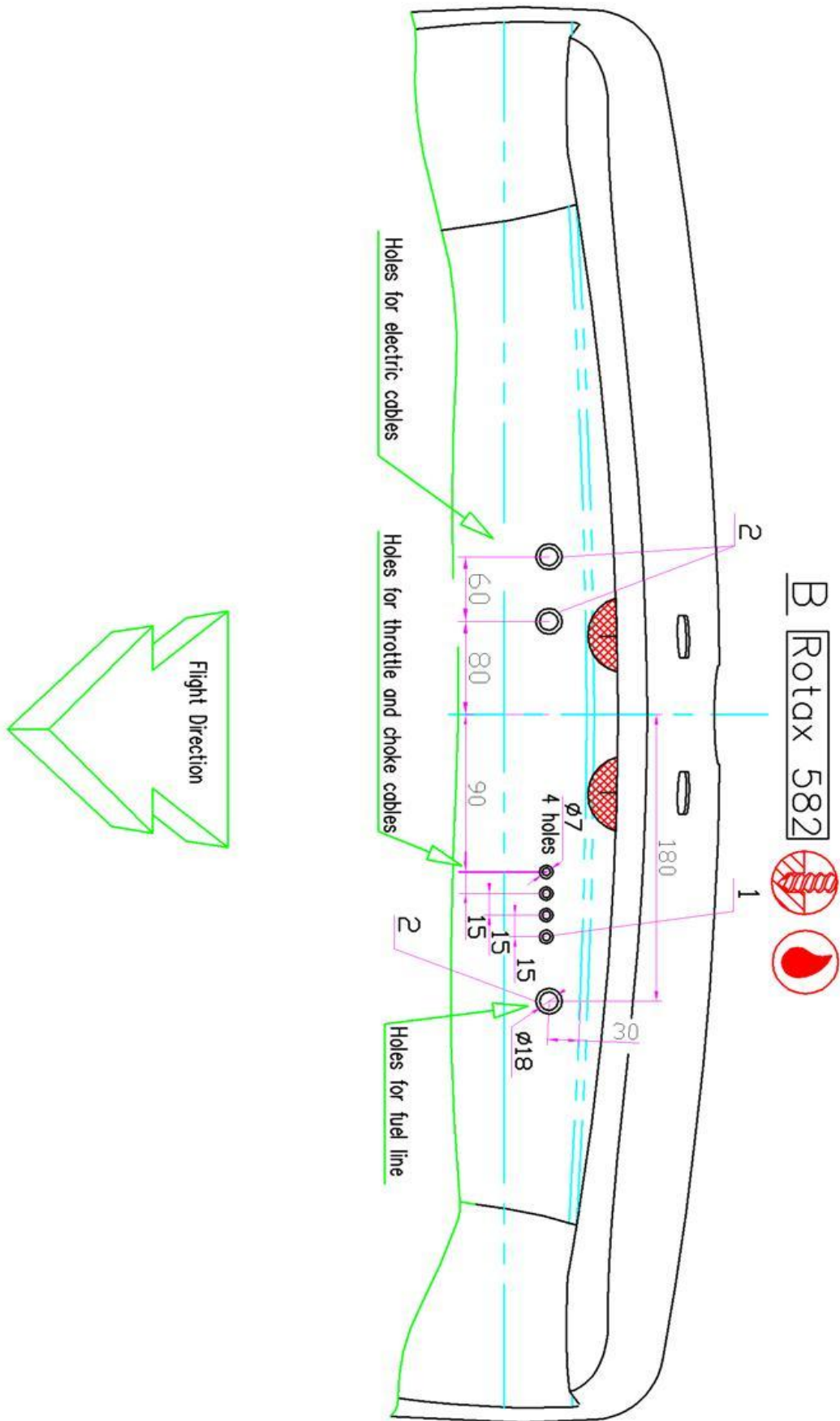




Revision	0										Dated July 2009
----------	---	--	--	--	--	--	--	--	--	--	-----------------

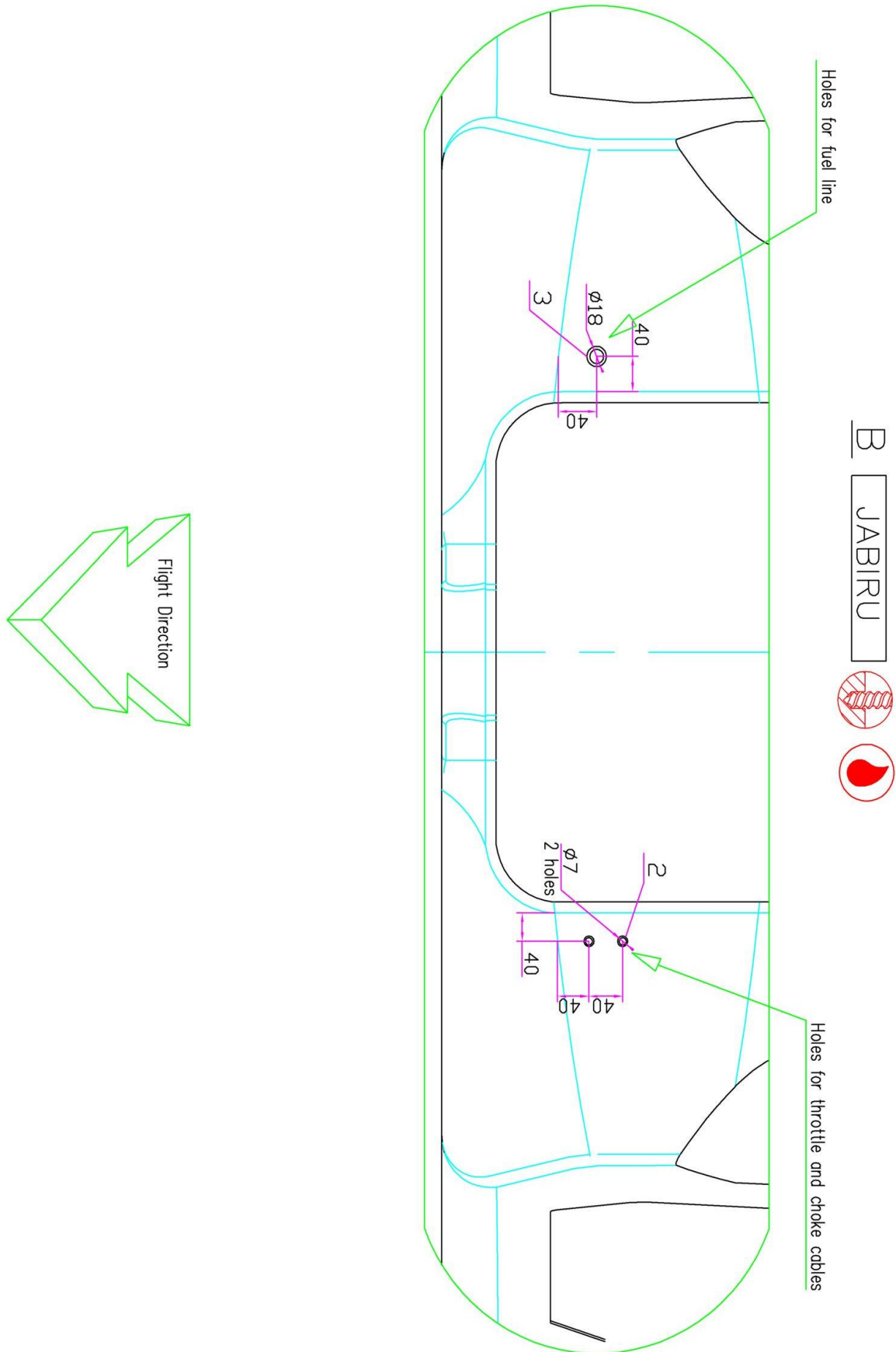


40_2 Main fairing preparation





40_3 Main fairing preparation



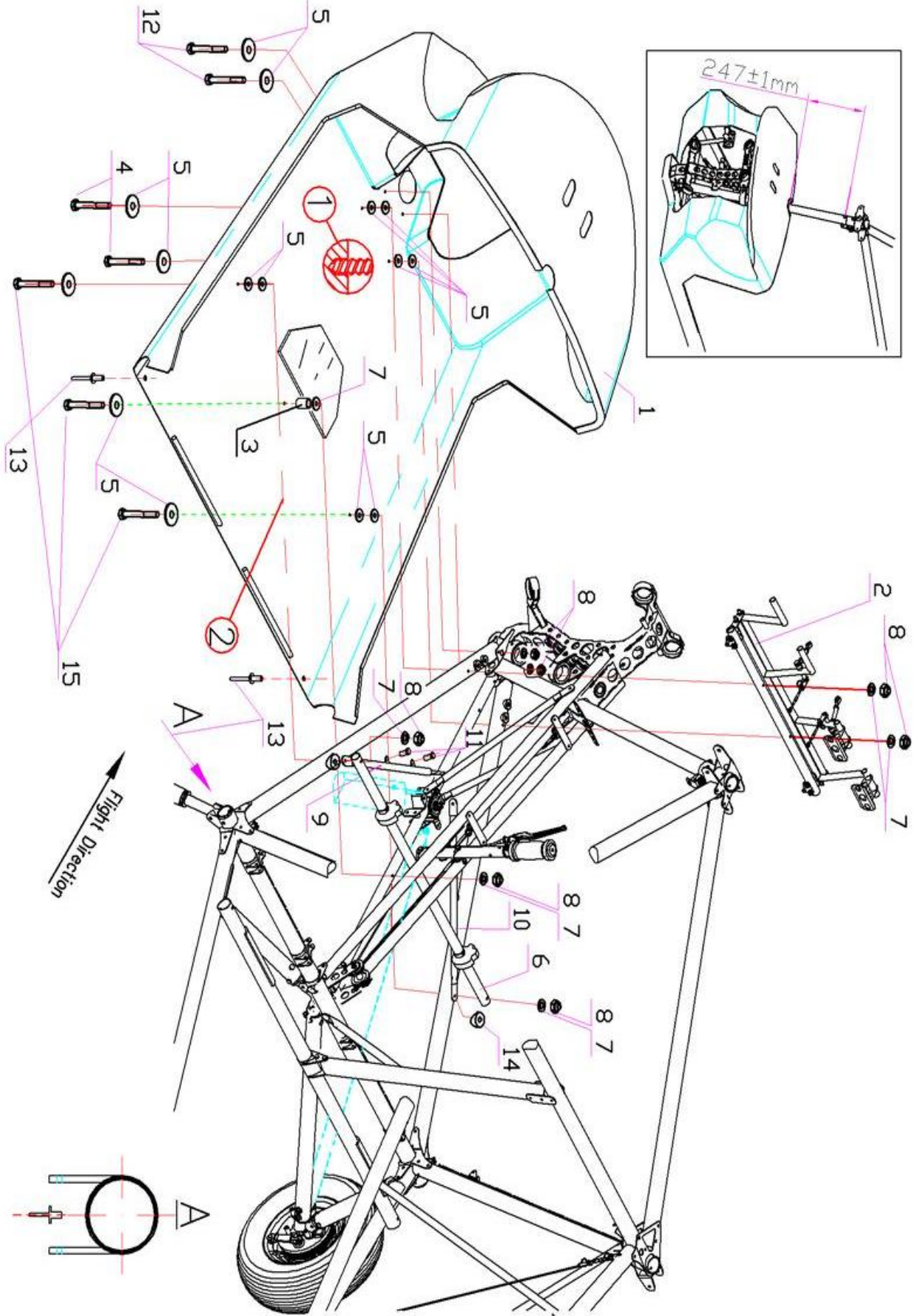


Section 41 Main fairing installation

No.	Description	Qty each	Qty Total	Part No:
1	Section 39	1	1	
2	Section 32	1	1	
3	Bush	1	1	CH-00-00024
4	Bolt M6 x 85	2	2	CH-00-10014
5	Washer M6 x 12	16	16	
6	Seat height adjusting tube	1	1	
7	Washer M6 x 12	6	6	
8	M6 nylock nut	7	7	
9	Lower cabin horizontal strut	1	1	CH-00-12220-01
10	Lower cabin horizontal strut	1	1	CH-00-12220-02
11	Rivet nut M4 x 10	4	4	
12	Section 10. no 3			
13	Pop rivet 3.2 x 10 Aluminium	2	2	
14	Saddle washer	2	2	CH-00-12432
15	Bolt M6 x 95	3	3	



41_1 Main fairing installation



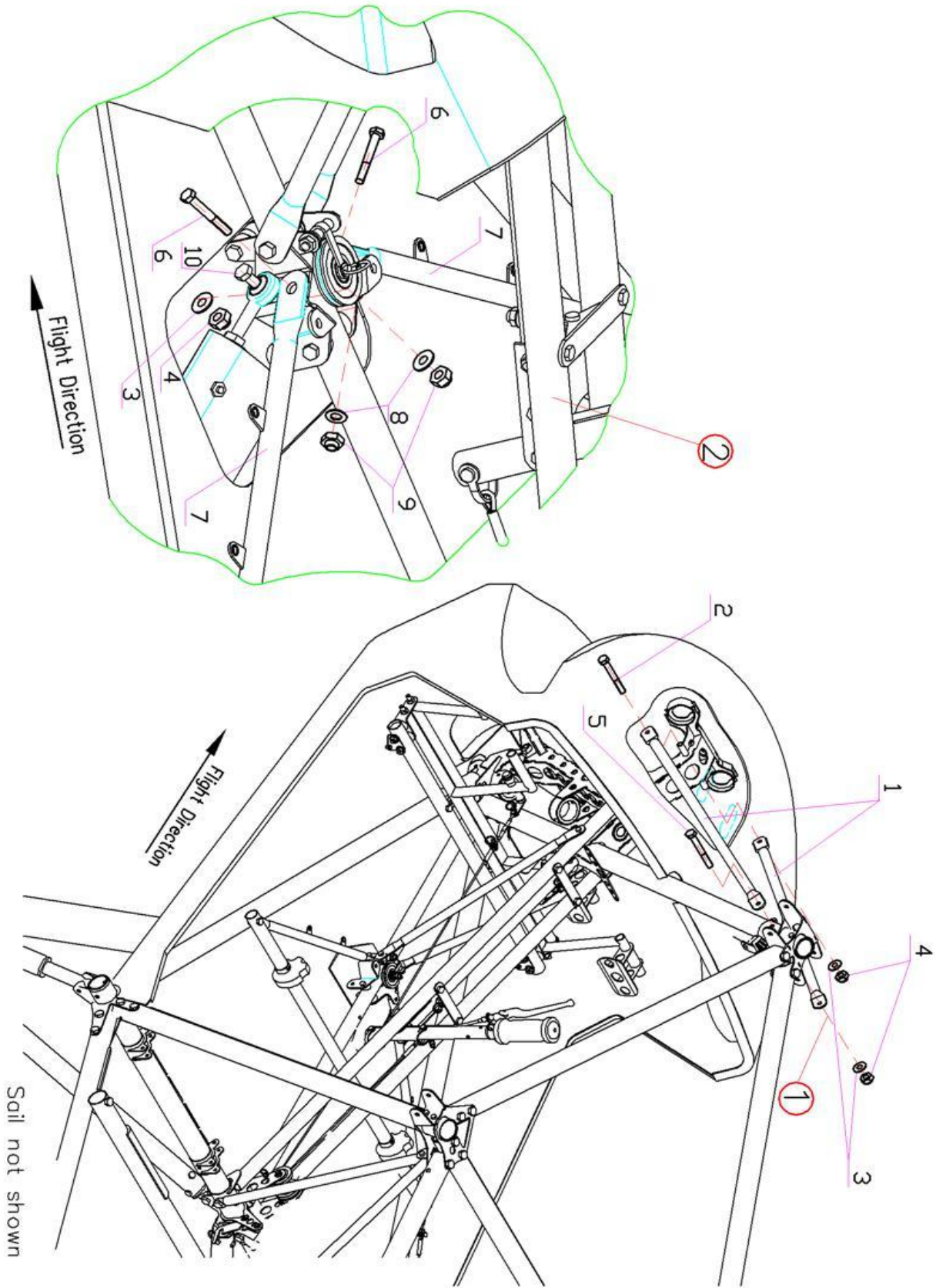


Section 42 Top and centre cabin struts

No.	Description	Qty each	Qty Total	Part No:
1	Top Engine mounting Strut	2	2	CH-00-12406
2	Special Bolt M8 x 140 (shank 127)	1	1	CH-00-12403
2	Bolt M8 x 25 (Jabiru Only)	2	2	
3	Washer M8 x 16	4	4	
3	Washer M8 x 16 (Jabiru Only)	5	5	
4	M8 nylock nut	5	5	
5	Special Bolt M8 x 63 (shank 51)	1	1	
6	Special Bolt M6 x 20 (shank 10)	2	2	
7	Section 42. n 10			
8	Washer M6 x 12	2	2	
9	M6 nylock nut	2	2	CH-00-12220-01
10	Section 24. n 5			CH-00-12220-02

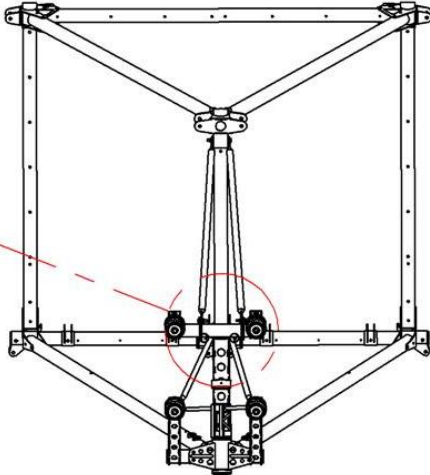
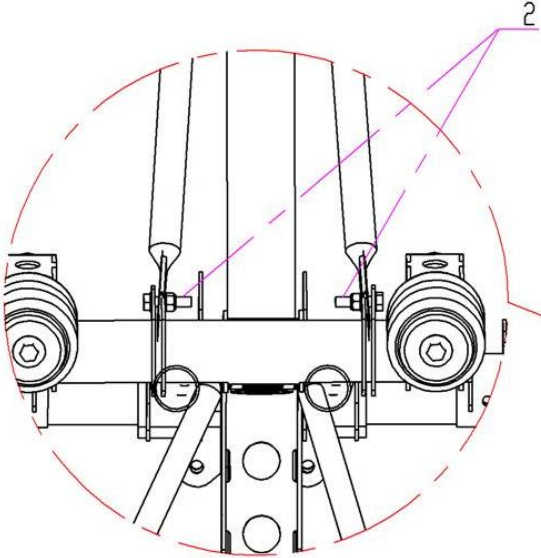
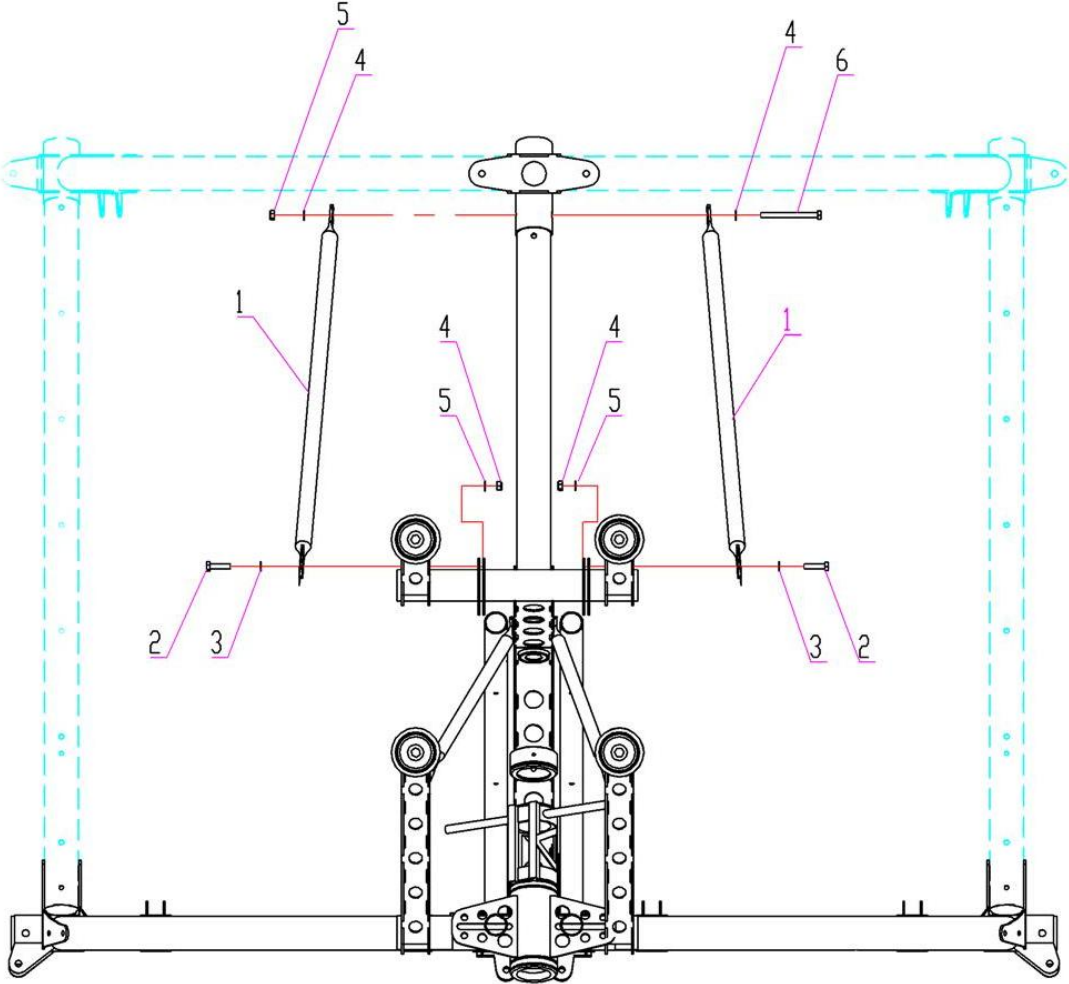


42_1 Top and centre cabin struts





42_2 Top cabin struts (Jabiru)



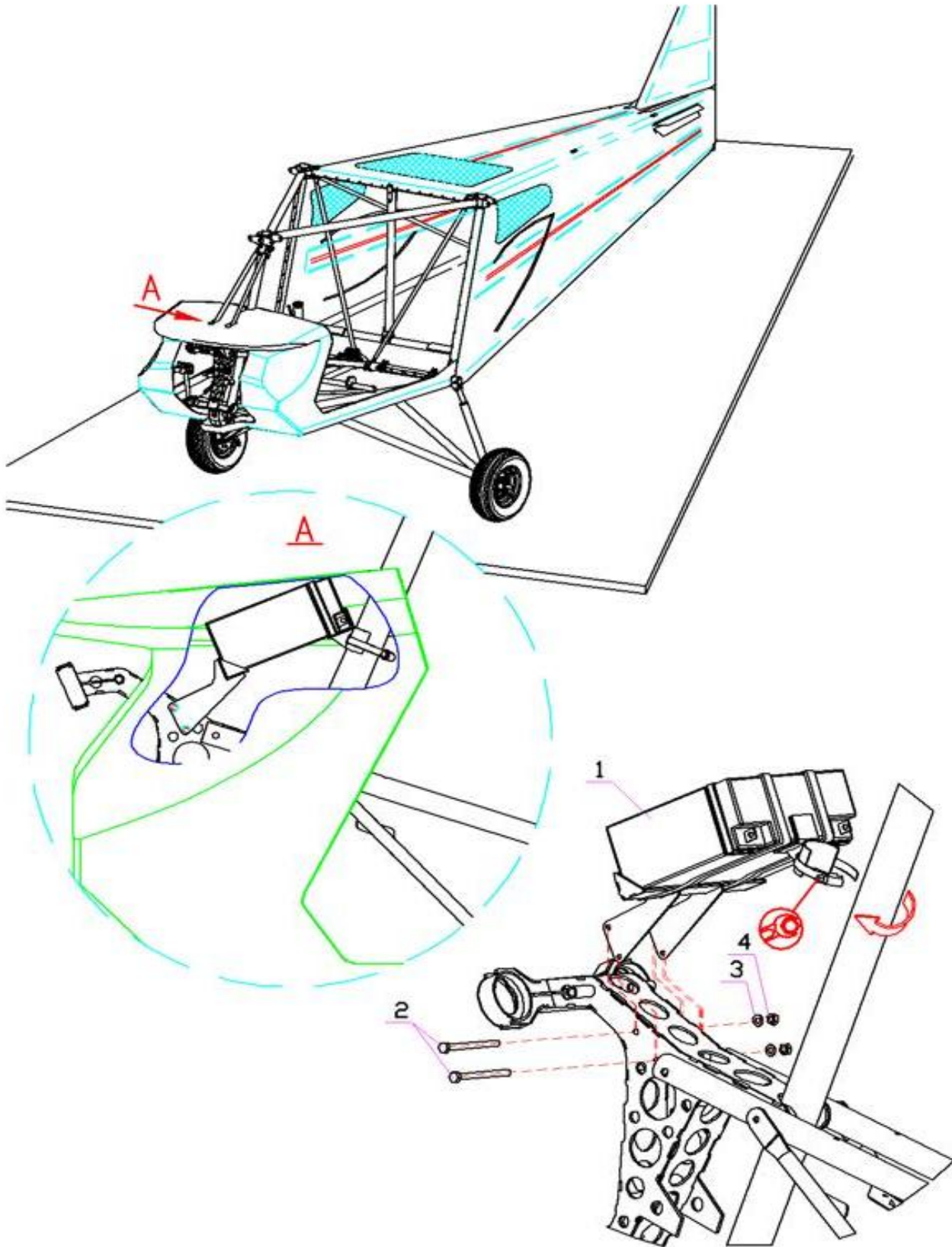


Section 43 **Battery installation**

No.	Description	Qty each	Qty Total	Part No:
1	Section 15	2	2	
2	Bolt M6 x 80	2	2	
3	M6 flat washer	2	2	
4	M6 nylock nut	4	4	
5	Spacer (Jabiru Only)	4	4	CH-00-00009

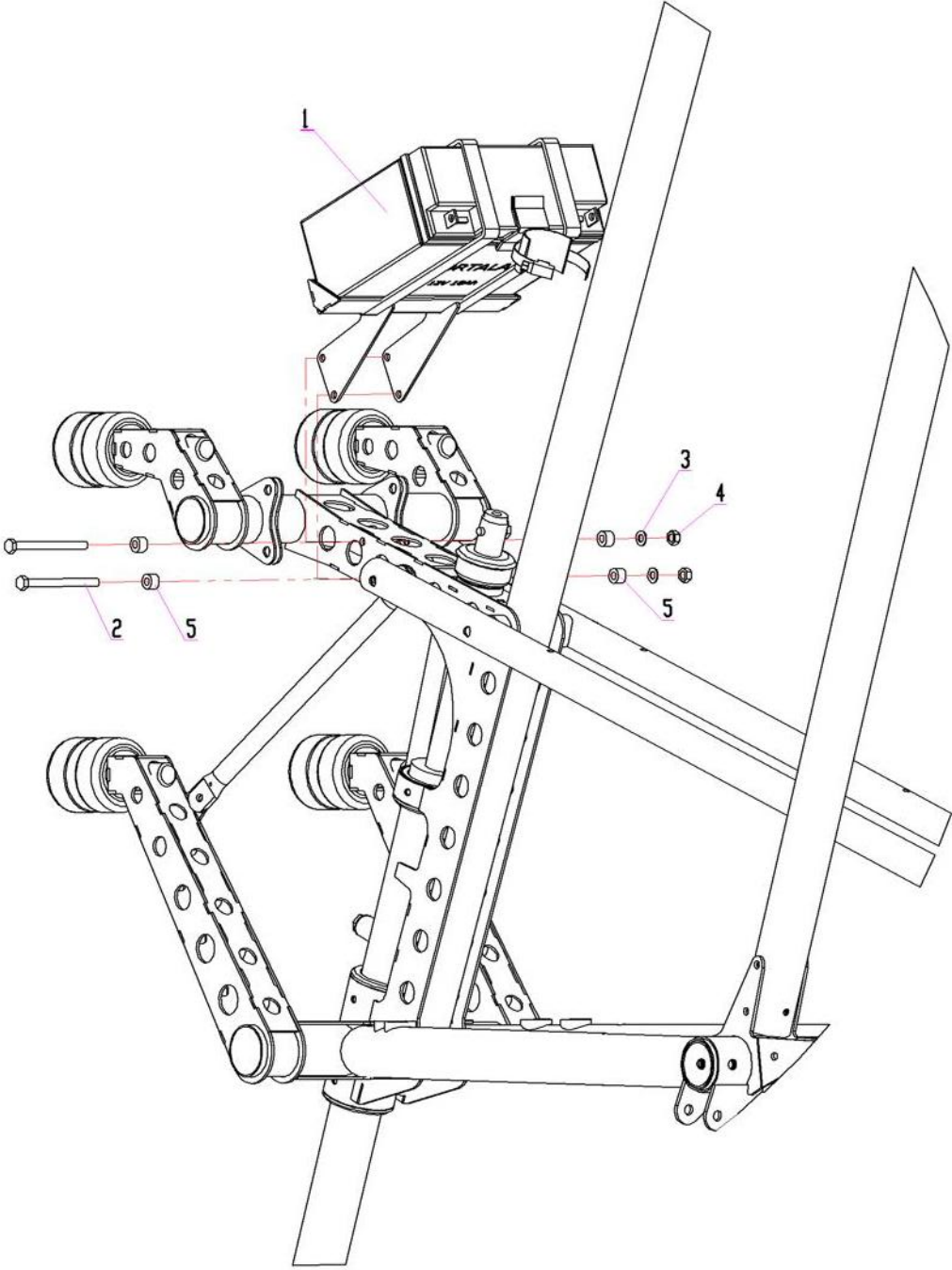


43_1 Battery installation (Rotax)





43_2 Battery installation (Jabiru)





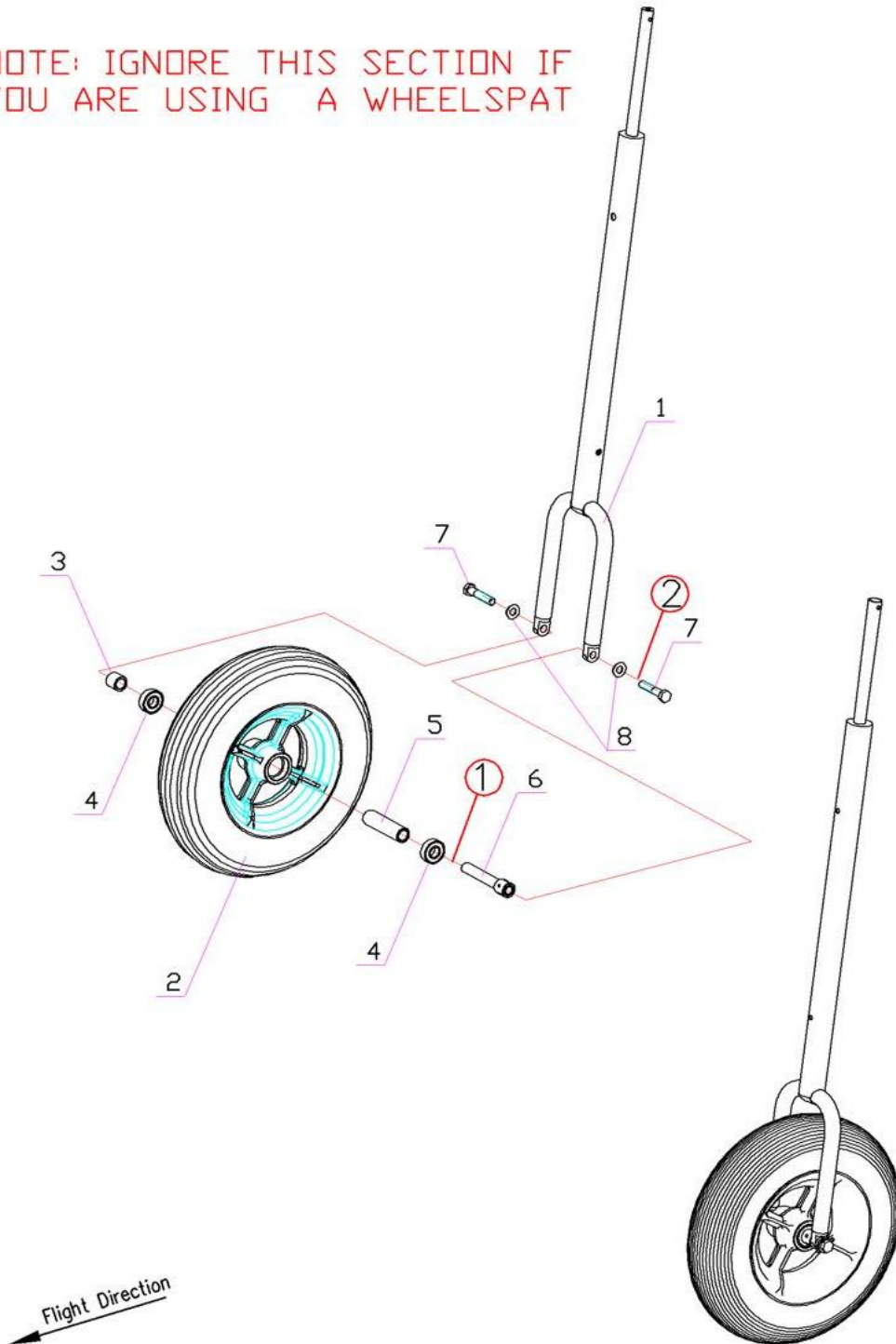
Section 44 Front fork and wheel assembly

No.	Description	Qty each	Qty Total	Part No:
1	Front fork	1	1	CH-00-41250
2	Front wheel	1	1	CH-00-41100
3	Front axle sleeve	1	1	CH-00-41001
4	Bearing	2	2	
5	Front rim inner sleeve	1	1	CH-00-41102
6	Front axle	1	1	CH-00-41400
7	Special bolt M12 x 60 (shank 30)	2	2	CH-00-41008
8	Washer M12	2	2	



44_1 Front fork and wheel assembly

NOTE: IGNORE THIS SECTION IF YOU ARE USING A WHEELSPAT



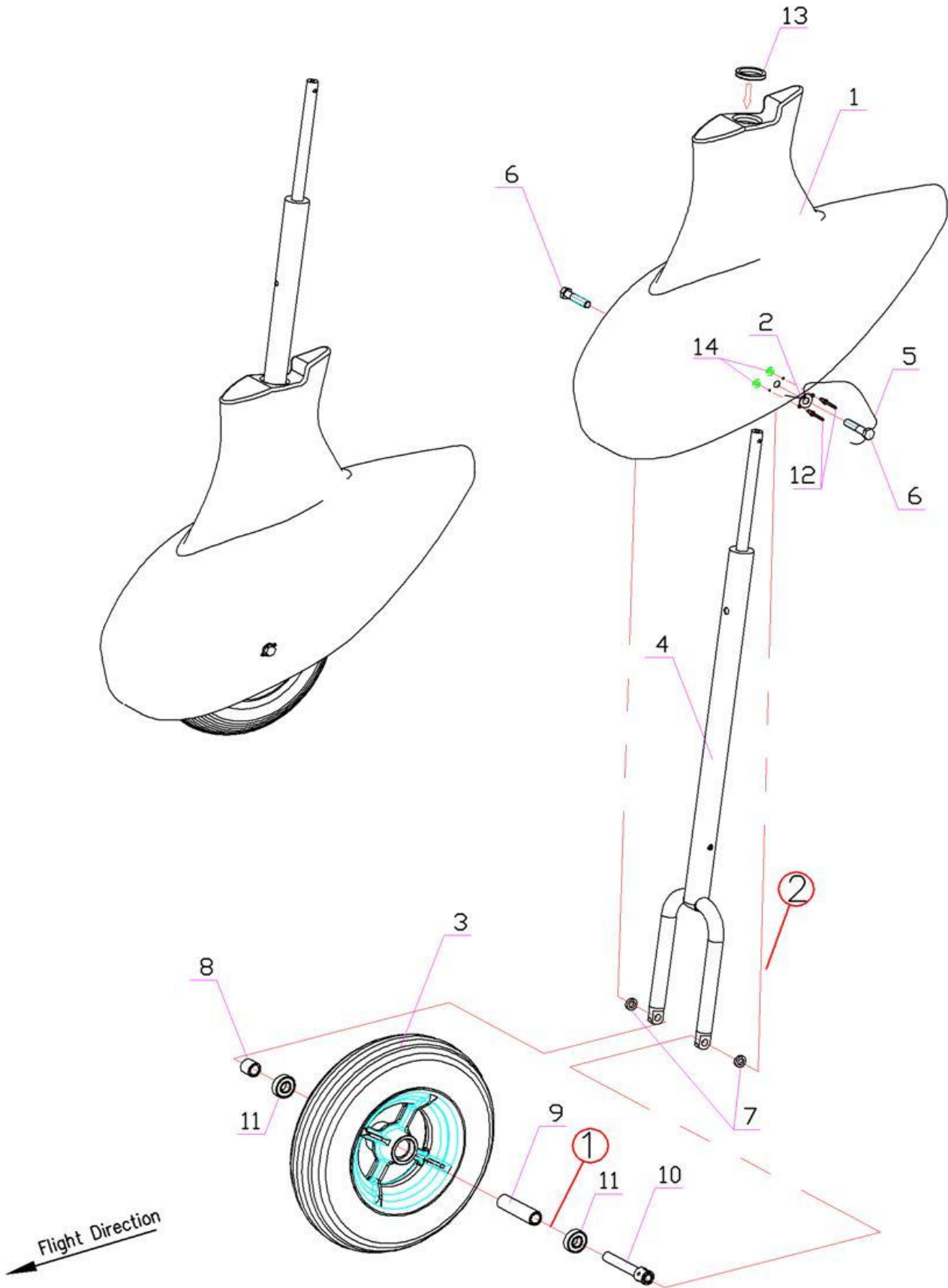


Section 45 Front fork and wheel assembly(wheel fairing)

No.	Description	Qty each	Qty Total	Part No:
1	Front wheel fairing	1	1	CH-00-41300
2	Bracket washer	2	2	CH-00-41301
3	Front wheel	1	1	CH-00-41100
4	Front fork	1	1	CH-00-41200
5	Safety wire di 0.9 x 150	2	2	
6	Special bolt M12 x 60 (shank 30)	2	2	CH-00-41008
7	Fairing spacer sleeve	2	2	CH-00-41004
8	Front axle sleeve	1	1	CH-00-41001
9	Front rim inner sleeve	1	1	CH-00-41102
10	Front axle	1	1	CH-00-41400
11	bearing	2	2	
12	Pop rivet di 3.0 x 10 St. steel	4	4	
13	U – Channel rubber 1.5 x 210	1	1	CH-00-41302
14	M3 flat washer	4	4	



45_1 Front fork and wheel assembly (wheel fairing)



**Section 46 Front fork installation**

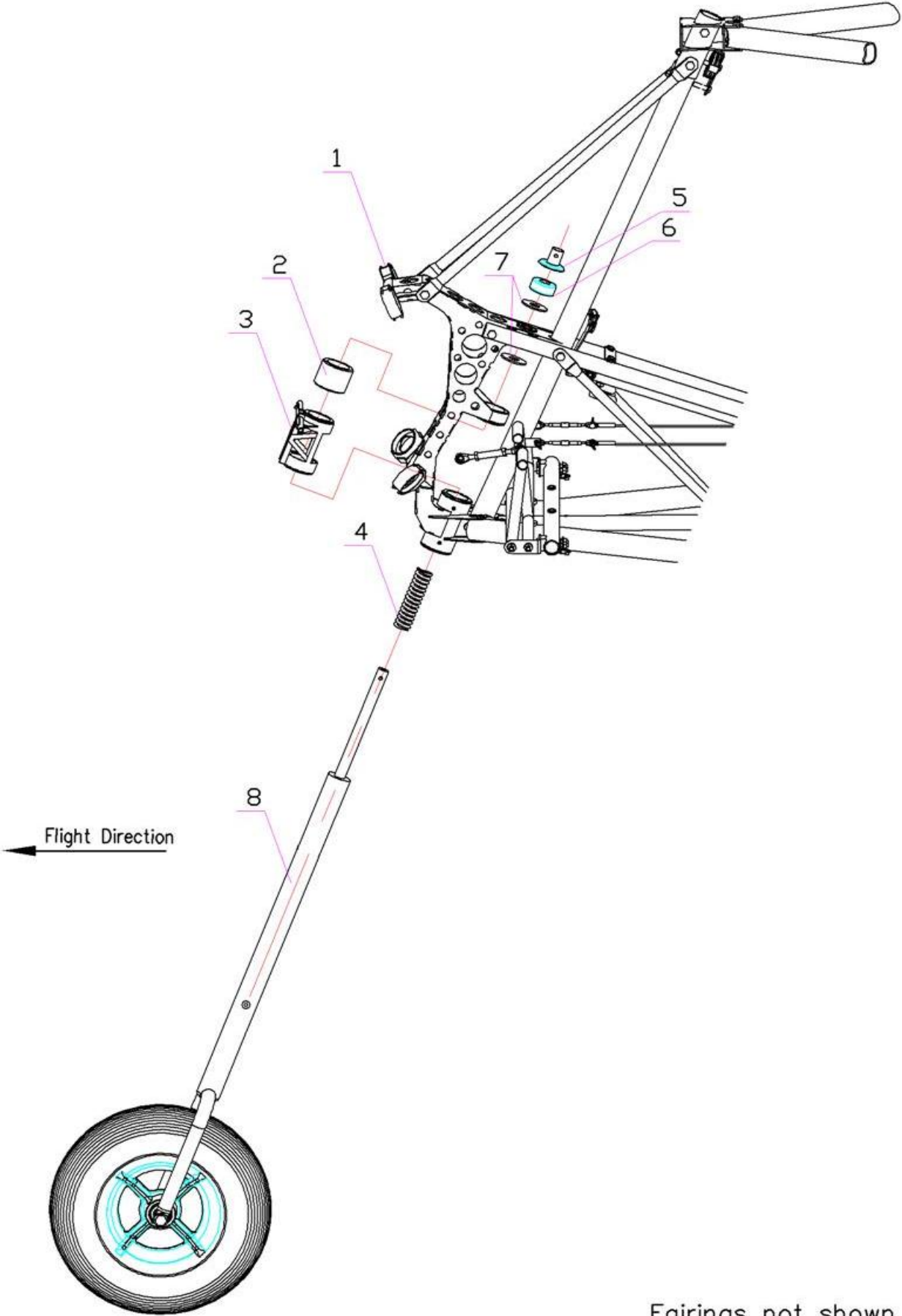
No.	Description	Qty each	Qty Total	Part No:
1	Section 8	1	1	
2	bush	1	1	CH-00-41007
3	Steering control bracket	1	1	CH-00-41500
4	spring	1	1	CH-00-41009
5	sleeve	1	1	CH-00-41600
6	Big rubber mounting	1	1	CH-00-13202
7	Washer	1	1	CH-00-41003
8	Section 46	1	1	



Revision	0									Dated July 2009
----------	---	--	--	--	--	--	--	--	--	-----------------



46_1 Front fork installation





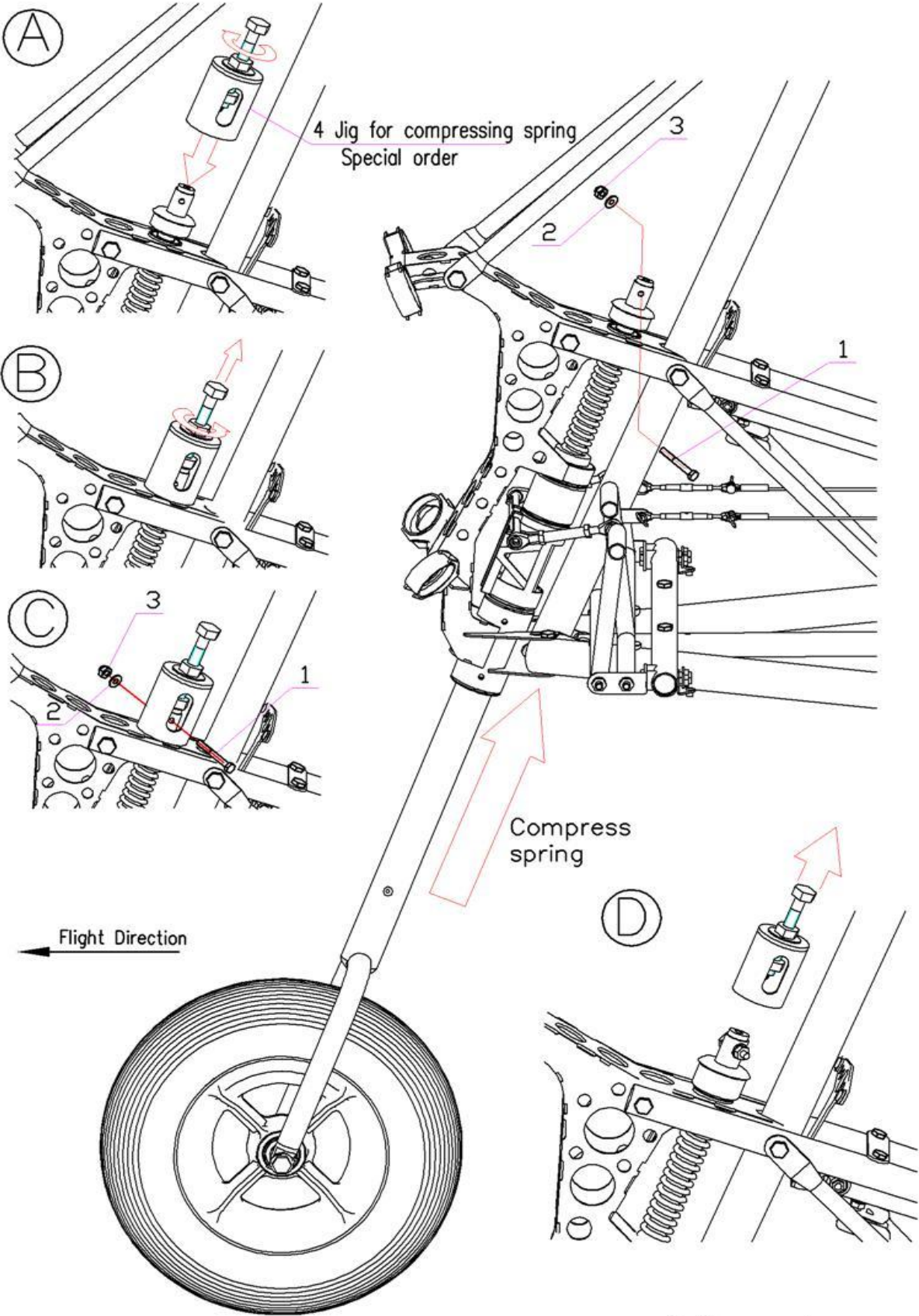
Section 47 Front fork installation, continued

No.	Description	Qty each	Qty Total	Part No:
1	Bolt M6 x 35	1	1	
2	Washer M6 x 12	1	1	
3	M6 nylock nut	1	1	
4	Front spring compression jig (special order)	1	1	CH-J0-41200

Note: If you do not have the "Front spring compression Jig" (special order) stop your work and ask a friend to help you with this installation. Attempting to assemble this page on your own may prove challenging.
 Front spring is quite tough and will require a grown man (~ 80kg) to apply his weight on the main engine mounting in order to compress the spring enough to slot Bolt "No1 Page 63" through Sleeve "No5 Page 64".



47_1 Front fork installation, continued



Fairings not shown



Section 48 Front fork installation, continued

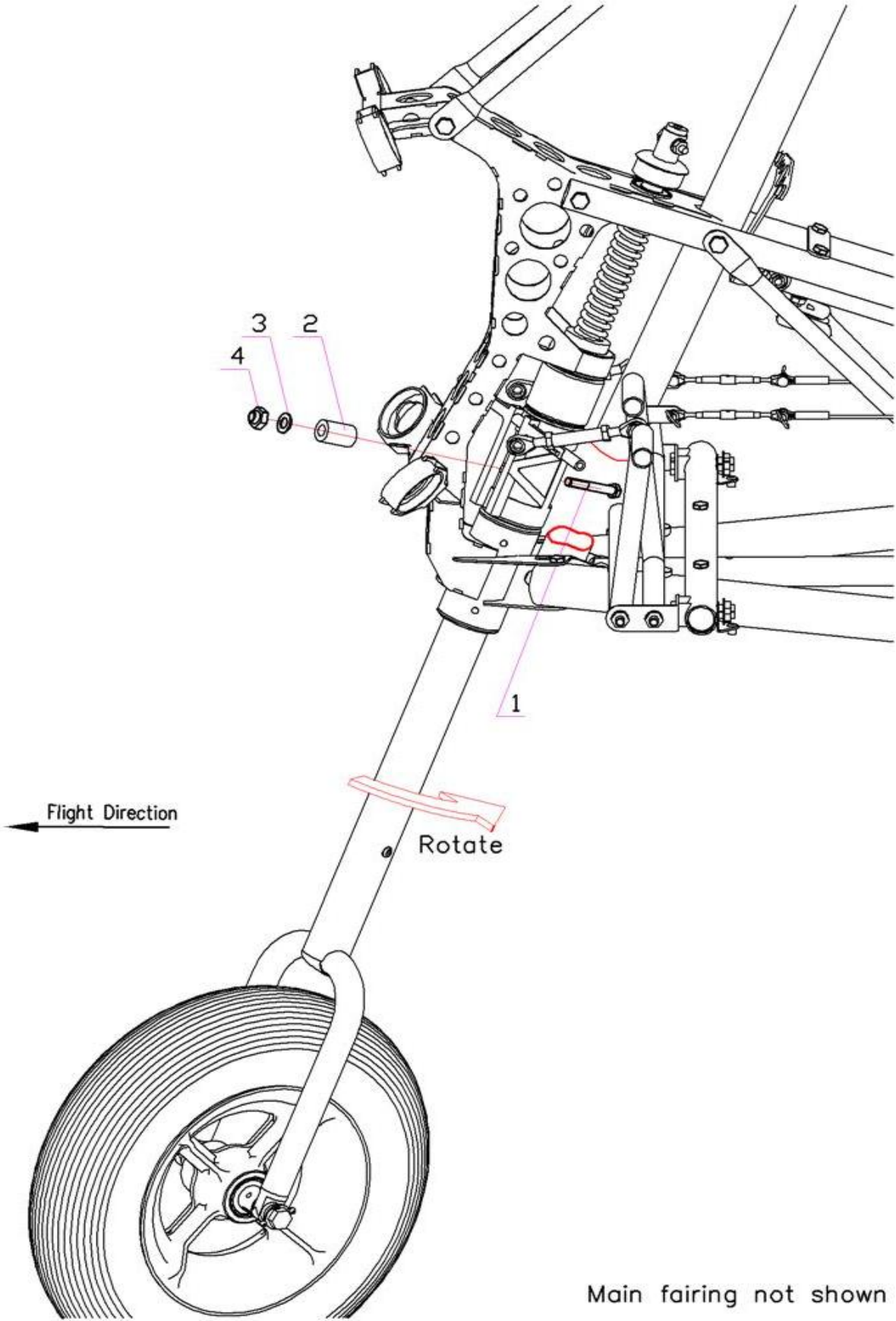
No.	Description	Qty each	Qty Total	Part No:
1	Bolt M8 x 75	1	1	
2	bush	1	1	CH-J0-41002
3	Washer M8 x 16	1	1	
4	M8 nylock nut	1	1	



Revision	0									Dated July 2009
----------	---	--	--	--	--	--	--	--	--	-----------------



48_1 Front fork installation, continued



Main fairing not shown

**Section 49 Front fork installation, continued**

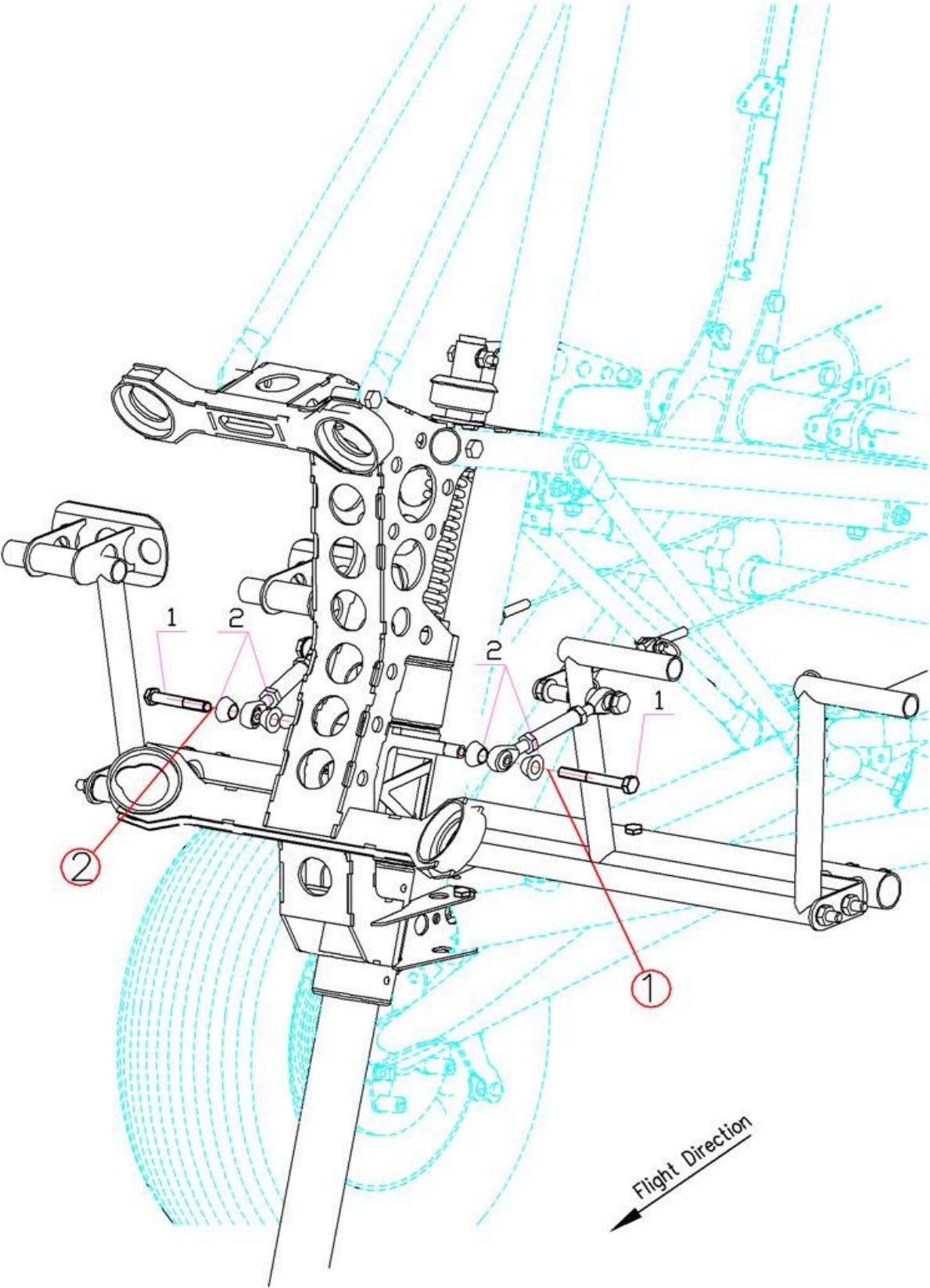
No.	Description	Qty each	Qty Total	Part No:
1	Bolt M8 x 45	2	2	
2	Cone shaped spacer M8	4	4	CH-J0-61221



Revision	0												Dated July 2009
----------	---	--	--	--	--	--	--	--	--	--	--	--	-----------------



49_1 Front fork installation, continued



Main fairing and sail not shown



Section 50 Safety belt installation

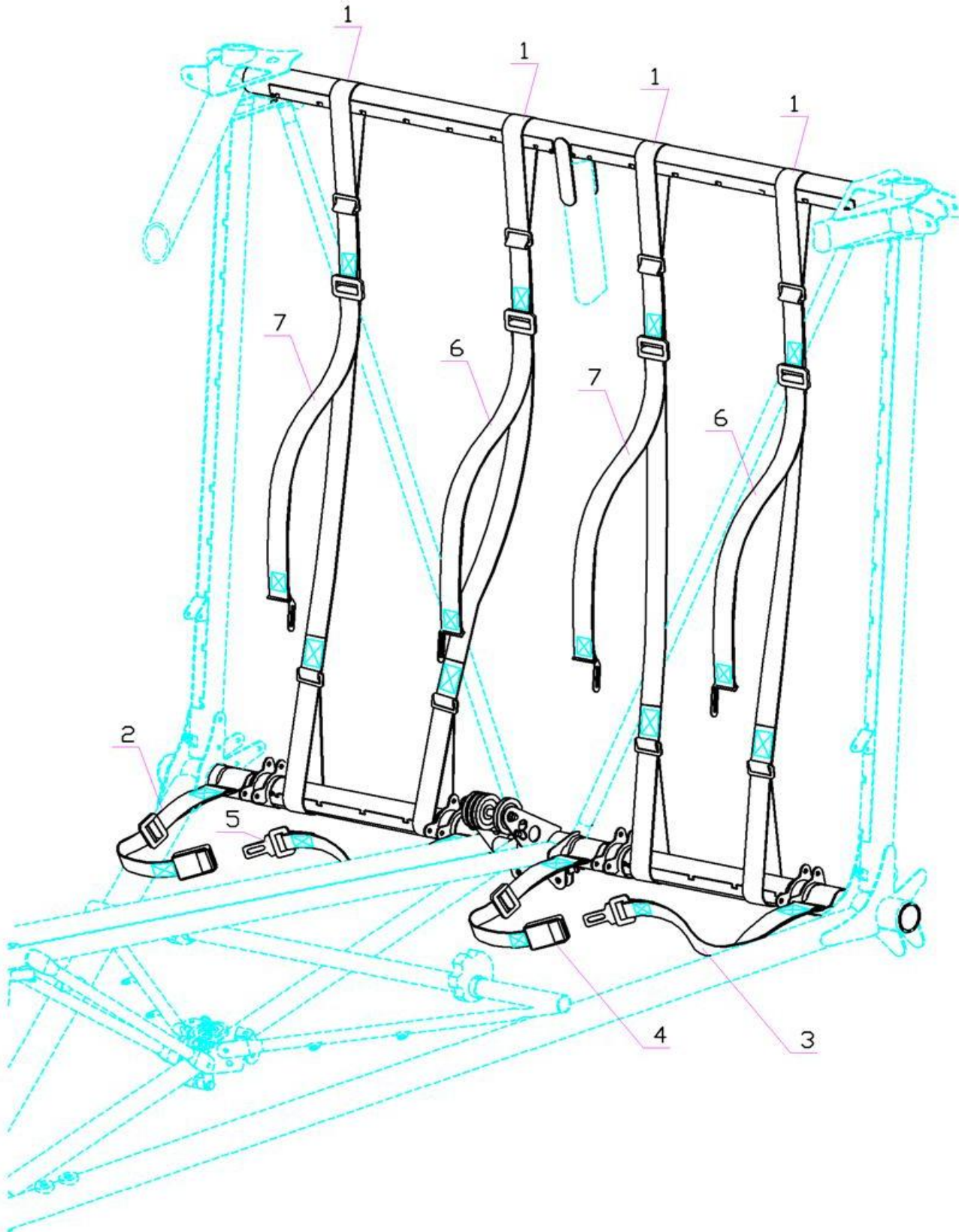
No.	Description	Qty each	Qty Total	Part No:
1	Main belt	4	4	CH-J0-65100
2	Lap belt short (left)	2	2	CH-J0-65200
3	Lap belt long (right)	2	2	CH-J0-65300
4	Buckle (female)	2	2	CH-J0-65400
5	Buckle (male)	2	2	CH-J0-65600
6	Shoulder belt (left)	2	2	CH-J0-65500-
7	Shoulder belt (right)	2	2	CH-J0-65500-



Revision	0									Dated July 2009
----------	---	--	--	--	--	--	--	--	--	-----------------



50_1 Safety belt installation



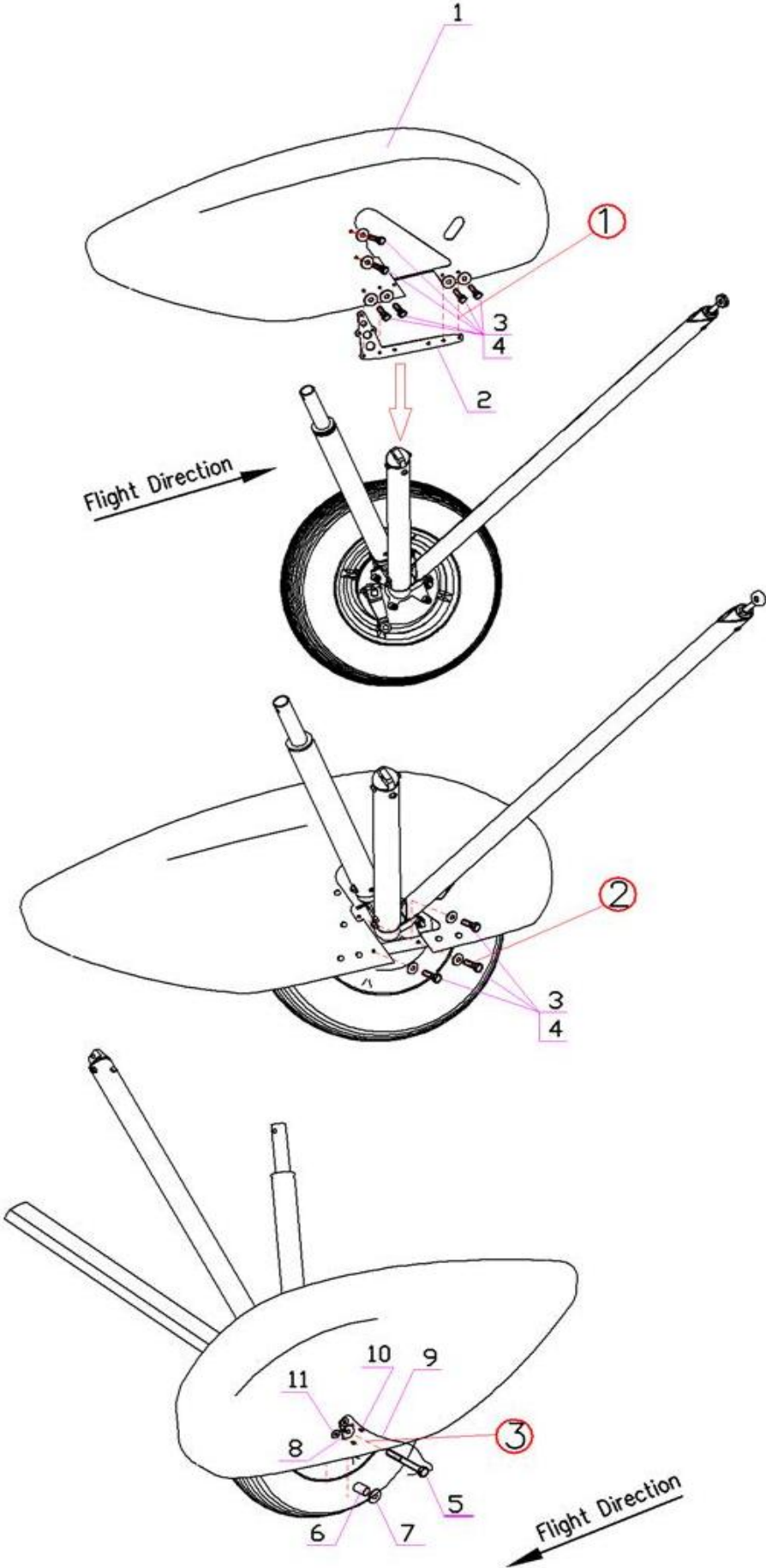


Section 51 Rear wheel fairing installation

No.	Description	Qty each	Qty Total	Part No:
1	Rear wheel spat	1	2	CH-00-42600
2	Rear wheel spat mounting bracket	1	2	CH-00-42500
3	Bolt M5 x 12	9	18	
4	Washer M5 x 12	9	18	
5	Section 23			
6	Section 23			
7	Section 23			
8	Ear washer	1	2	CH-00-42002
9	Safety wire di 0.9 x 200	1	2	
10	Pop rivet di 3.2 x 10 St. Steel	2	4	
11	M3 flat washer / inside	2	4	



51_1 Rear wheel fairing installation



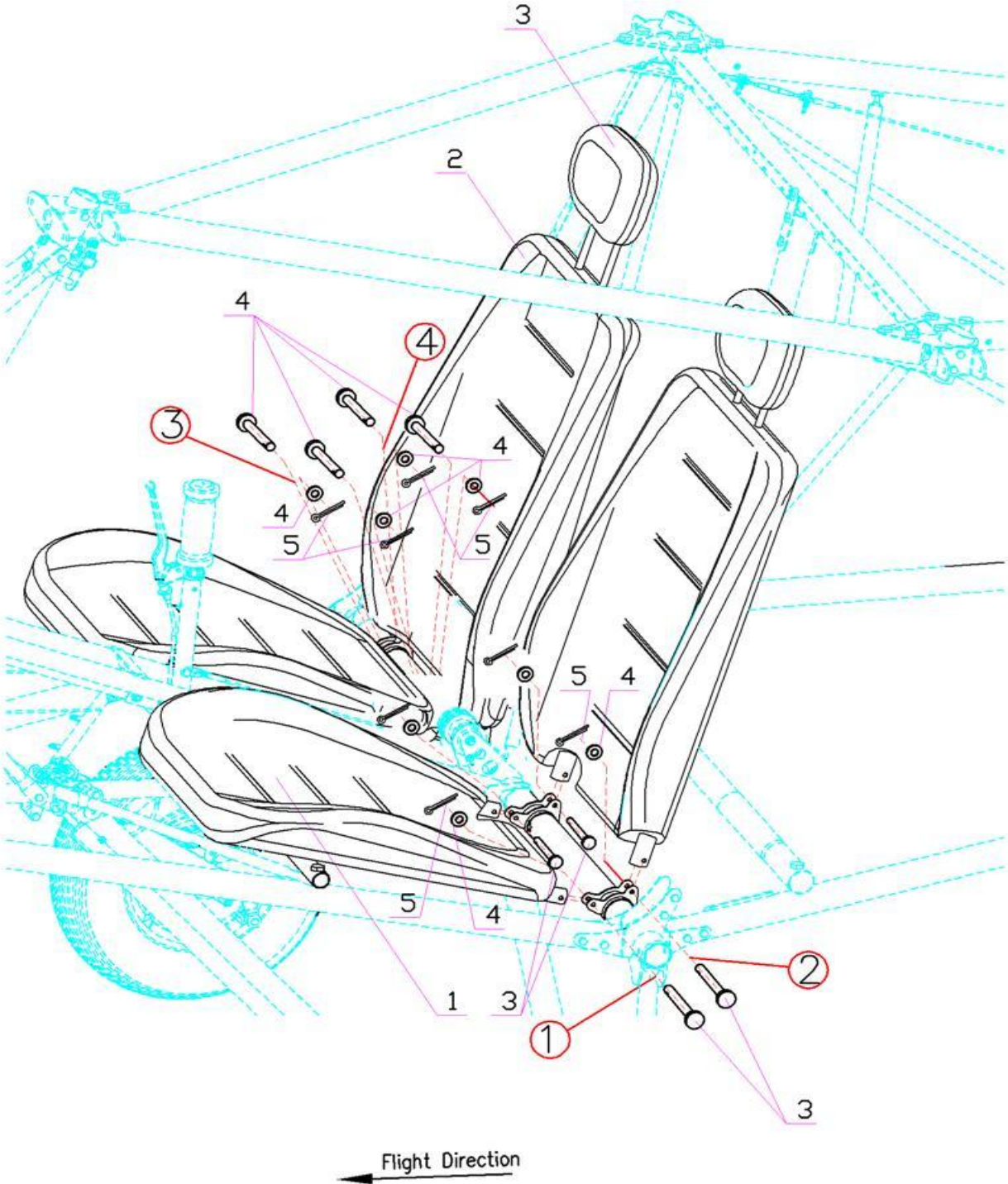


Section 52 **Seat installation**

No.	Description	Qty each	Qty Total	Part No:
1	Seat	2	2	CH-00-11100
2	Backrest	2	2	CH-00-11200
3	Pin	8	8	CH-00-61403
4	Washer M6 x 12	8	8	
5	Split pin di 2.0 x 20	8	8	



52_1 Seat installation



**Section 53 Centre console assembly**

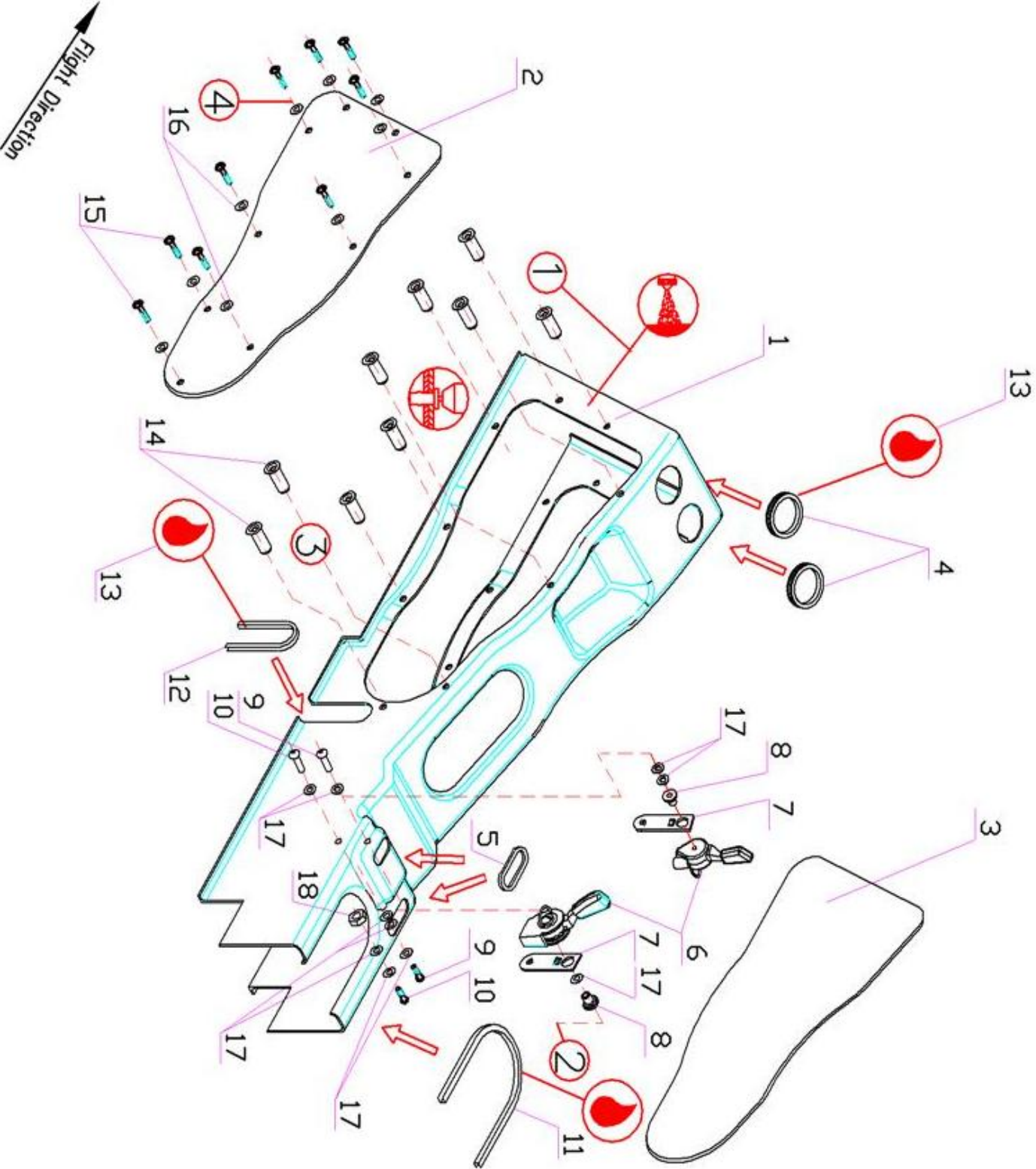
No.	Description	Qty each	Qty Total	Part No:
1	Centre console	1	1	CH-00-19611
2	Centre console side cover - left	1	1	CH-00-19640
3	Centre console side cover - right	1	1	CH-00-19650
4	U – channel rubber = 145mm	2	2	CH-00-19604
5	U – channel rubber = 195mm	2	2	CH-00-19605
6	Lever left hand & Right hand	1 1	1 1	CH-00-61640-01 -02
7	Lever mounting bracket	2	2	CH-00-61641
8	Bush	2	2	CH-00-61642
9	Black machined screw M5 x 8 (Alen key)	2	2	CH-00-61643
10	Black machined screw M5 x 12 (Alen key)	2	2	
11	U – channel rubber = 520mm	1	1	CH-00-19602
12	U – channel rubber = 180mm	2	2	CH-00-19603
13	Super glue			
14	Rivet nut M3 x 10	20	20	
15	Black machined screw M3 x 10	20	20	
16	M3 flat washer	20	20	
17	M5 flat washer	9	9	
18	M5 nylock nut	2	2	



Revision	0									Dated July 2009
----------	---	--	--	--	--	--	--	--	--	-----------------



53_1 Centre console assembly





Section 54 Centre console and fire wall

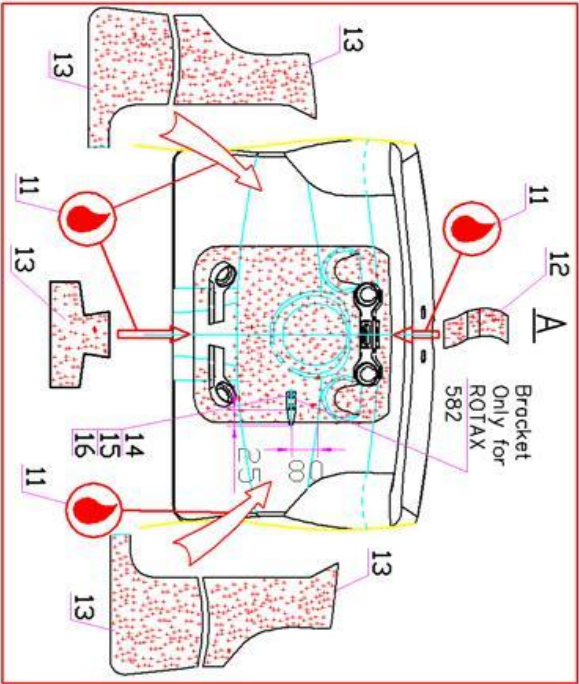
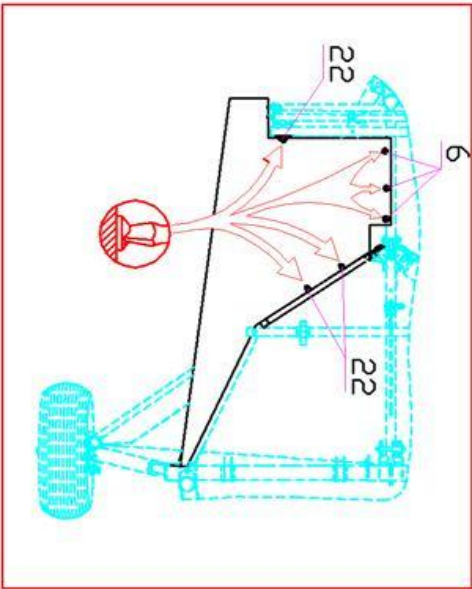
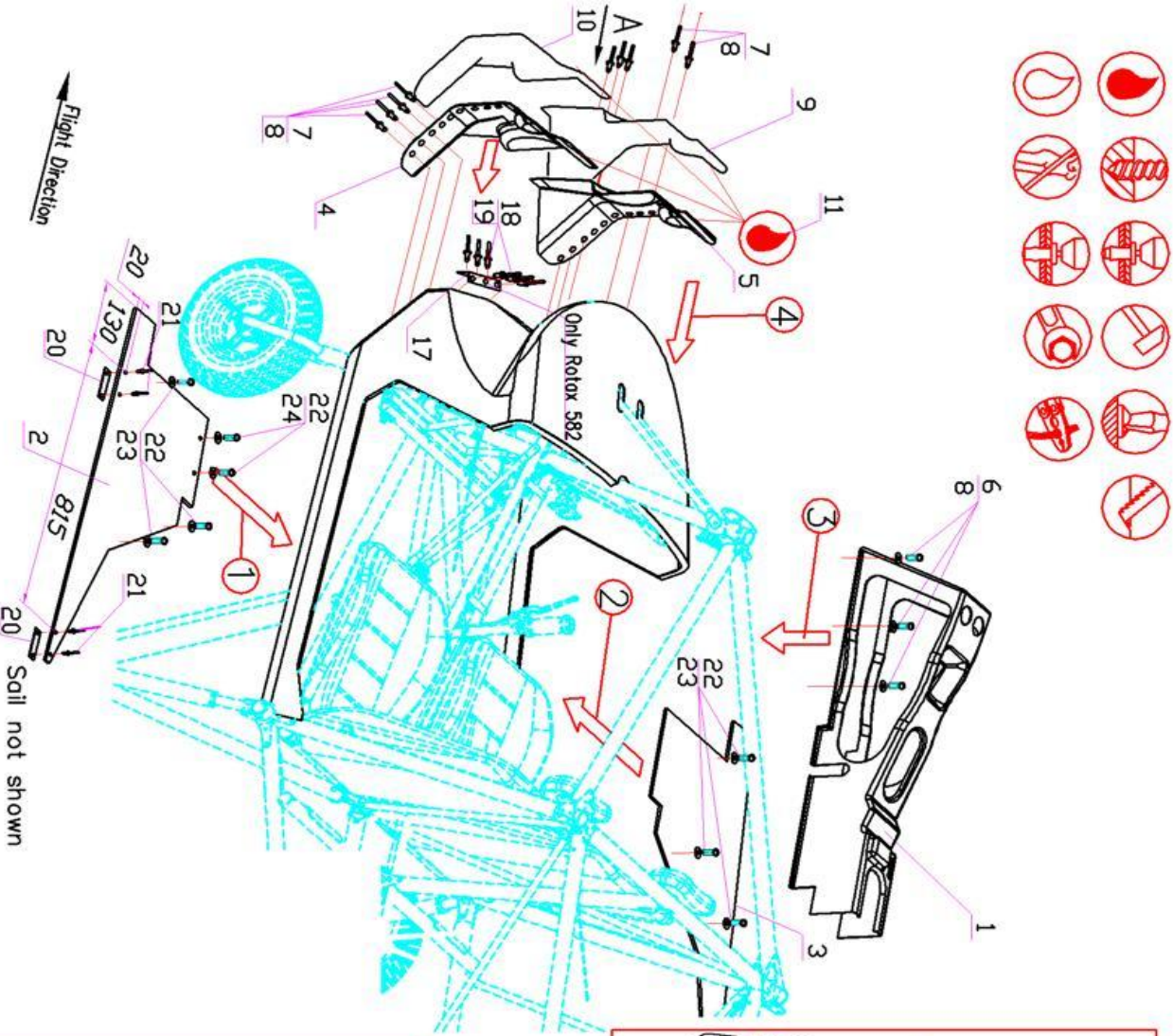
No.	Description	Qty each	Qty Total	Part No:
1	Section 54	1	1	
2	Cockpit floor - left	1	1	CH-00-16000-01
3	Cockpit floor - right	1	1	CH-00-16000-01
4	Fire wall - left	1	1	CH-00-19510-10
5	Fire wall - right	1	1	CH-00-19510-20
6	Self tapping screw M6 x 13	6	6	
7	Pop rivet 3.2 x 12Aluminium	32	32	
8	M3 flat washer	32	32	
9	Heat reflective material	1	1	CH-00-15514 CH-00-15516
10	Heat reflective material	1	1	CH-00-15515 CH-00-15517
11	Glue (contact adhesive)			
12	Heat reflective material	1	1	CH-00-19512
13	Heat reflective material	1	1	CH-00-19511
14	Starter handle bracket	1	1	CH-00-19002
15	Black machined screw M3 x 16	2	2	
16	M3 nylock nut	2	2	
17	Protection plate	1	1	CH-00-19124
18	Pop rivet 3.2 x 10 St. steel	6	6	
19	M3 washer (inside main fairing)	6	6	
20	Floor reinforcement plate	4	4	CH-00-16004
21	Pop rivet 3.2 x 10 St. steel	8	8	
22	Black machined screw M4 x 16	8	8	
23	M4 washer	18	18	
24	Penny washer M5 x 25	2	2	



Revision	0											Dated July 2009
----------	---	--	--	--	--	--	--	--	--	--	--	-----------------



54_1 Centre console and fire wall





Section 55 **Boot and flange**

No.	Description	Qty each	Qty Total	Part No:
1	Self tapping screw M4 x 13	3	3	
2	Flange	1	1	CH-00-04450-20
3	Boot / cover	1	1	CH-00-04450-10
4	Contact adhesive			

Installation:

Step 1. Apply contact adhesive underneath the flange, Allow the contact adhesive to dry.

Step 2. Apply contact adhesive of 8mm rim around the boot, allow adhesive to dry.

Step 3. Press the boot to the flange. Fit the boot neatly into the inner rim of the flange.

Step 4. Insert the boot and the flange over the control stick. Fit the flange to the center console.

Step 5. You will have to drill the holes into the center console. Use the flanges holes as a guide for drilling. Be sure to fit the flange properly into the console and to drill one hole in the front and two in the rear.

Step 6. Screw the self tapping screws into the drilled holes and do not over tighten the screws.



55_1 Boot and flange



Section 56 **Throttle control system**

No.	Description –	<i>Rotax 582</i>	Qty each	Qty Total	Part No:
1	Carburettor		2	2	
2.1	Carb control cable - LH		1	1	CH-00-62301
2.2	Carb control cable - RH		1	1	CH-00-62302
3	Throttle splitter		1	1	CH-00-62330
4	Throttle cable		4	4	CH-00-62363
5	Armrest cover		2	2	CH-00-62350-50
6	Guard plate		2	2	CH-00-62357
7	Pop rivet di 3.2mm x 10mm Aluminium		8	8	
8	Throttle and armrest assembly		2	2	CH-00-62350
9	End cap 6.0mm				
10	End cap 5.0mm				

No.	Description –	<i>Rotax 912</i>	Qty each	Qty Total	Part No:
1	Carburettor		2	2	
2.1	Carb control cable - LH		1	1	CH-00-62201
2.2	Carb control cable - RH		1	1	CH-00-62202
3	Throttle splitter		1	1	CH-00-62330
4	Throttle cable		4	4	CH-00-62363
5	Armrest cover		2	2	CH-00-62350-50
6	Guard plate		2	2	CH-00-62357
7	Pop rivet di 3.2mm x 10mm Aluminium		8	8	
8	Throttle and armrest assembly		2	2	CH-00-62350
9	End cap 5.0mm				
10	End cap 6.0mm				

No.	Description –	<i>Jabiru</i>	Qty each	Qty Total	Part No:
1	Carburettor		2	2	
2.1	Carb control cable - LH		1	1	CH-00-62301
3	Throttle splitter		1	1	CH-00-62330
4	Throttle cable		4	4	CH-00-62363
5	Armrest cover		2	2	CH-00-62350-50
6	Guard plate		2	2	CH-00-62357
7	Pop rivet di 3.2mm x 10mm Aluminium		8	8	
8	Throttle and armrest assembly		2	2	CH-00-62350
9	End cap 6.0mm				
10	End cap 5.0mm				



Section 57 Armrest installation

No.	Description	Qty each	Qty Total	Part No:
1	Armrest			
2	Bolt M5 x 30	1	2	
3	Special Bolt M5 x20	1	2	CH-02-62364
4	Washer M5 x 10	2	4	
5	M5 nylock nut	2	4	

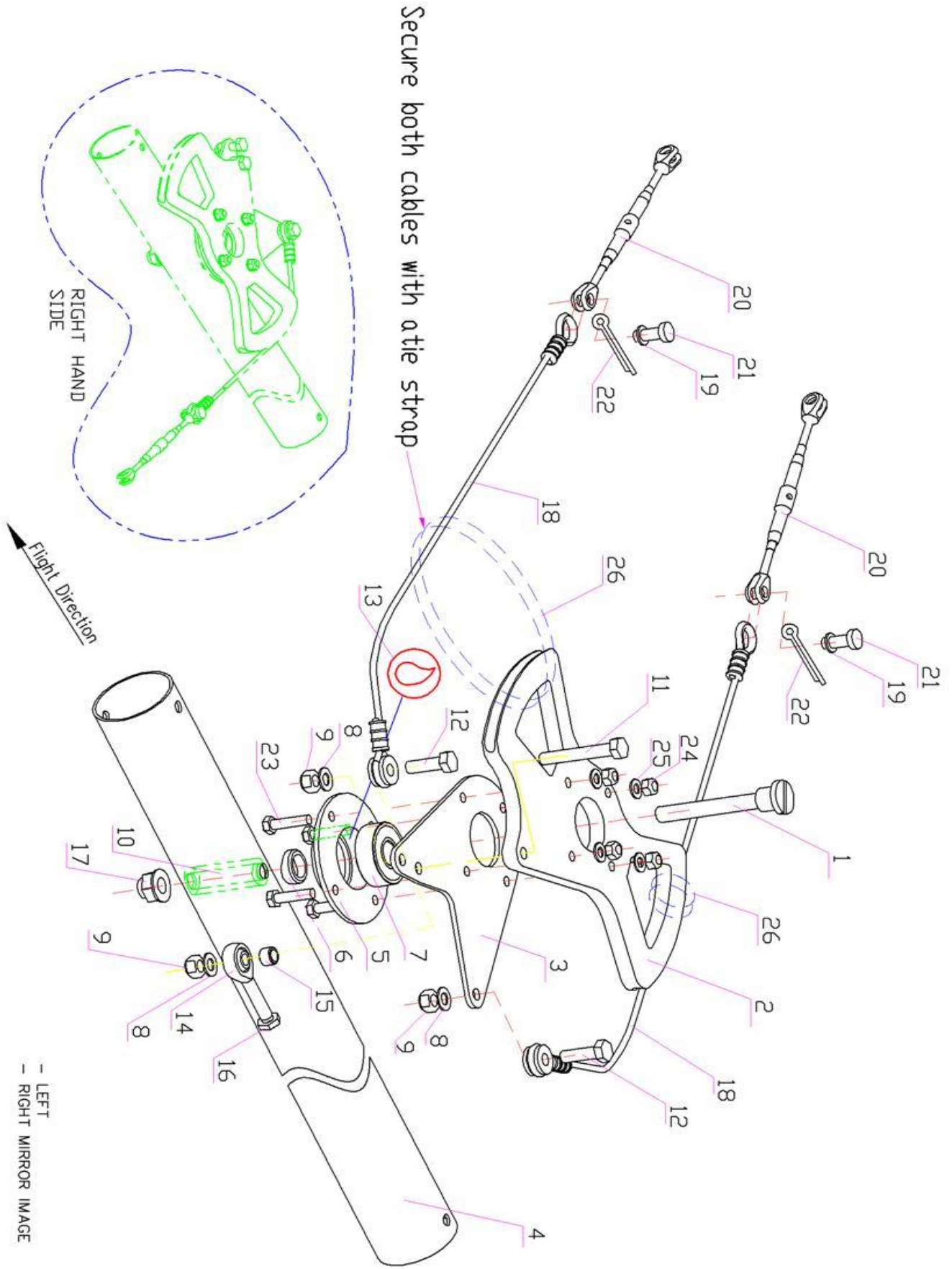


Section 58 Aileron control butterfly assembly

No.	Description	Qty each	Qty Total	Part No:
1	Butterfly axle	1	2	CH-00-21100-32
2	Butterfly	1	2	CH-00-21100-35
3	Butterfly supporting plate	1	2	CH-00-21100-31
4	Cross member tube	1	2	CH-00-21100-37
5	Bearing holder	1	2	CH-00-21100-30-10
6	Saddle washer	1	2	CH-00-21100-33
7	Bearing	1	2	
8	M6 flat washer	3	6	
9	M6 nylock nut	3	6	
10	Spacer	1	2	CH-00-21100-34
11	Bolt M6 x 35	1	2	
12	Bolt M6 x 20	2	4	
13	Loctite			
14	M6 eye bolt bearing	1	2	
15	Spacer	1	2	CH-00-21100-36
16	M6 flat nut	1	2	
17	M8 nylock nut	1	2	
18	Butterfly cable		3	
19	M6 flat washer		3	
20	Turn buckle		3	CH-00-12260
21	Clavis pni		3	CH-00-20001
22	Split pin di2.0 x 20		3	
23	Special bolt M5 x 20	4	8	CH-00-62364
24	M5 nylock nut	4	8	
25	M5 flat washer	4	8	
26	Tie strap 104 x 2.5	1	2	



58_1 Aileron control butterfly assembly





Section 59 Flap bellcrank installation

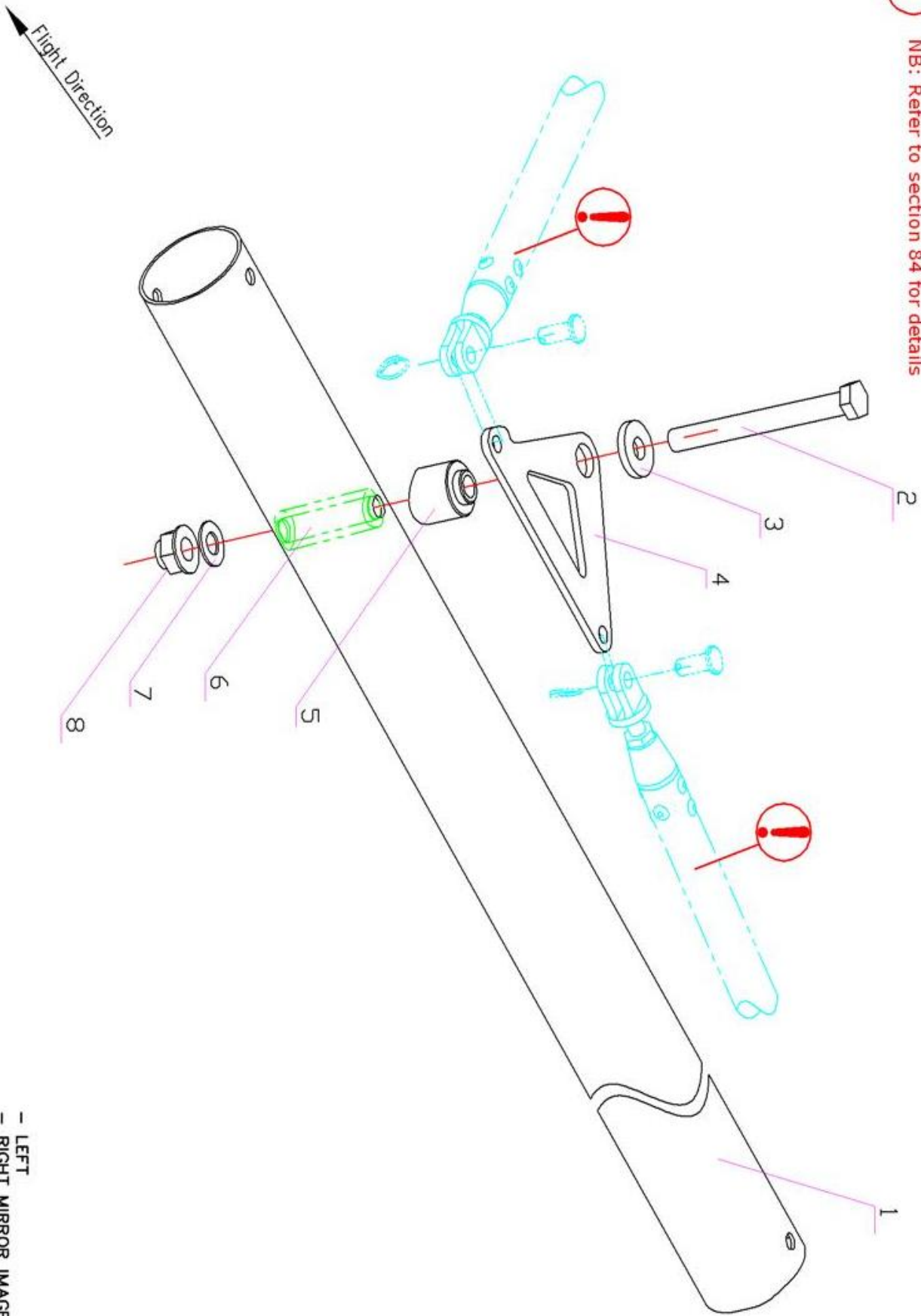
No.	Description	Qty each	Qty Total	Part No:
1	Cross member tube	1	2	CH-00-21100-37
2	Bolt M8 x 75	1	2	
3	Plastic washer	1	2	CH-00-21100-85
4	Inner flap bellcrank	1	2	CH-00-21100-84
5	Saddle washer	1	2	CH-00-21100-81
6	spacer	1	2	CH-00-21100-34
7	M8 flat washer	1	2	
8	M8 nylock nut	1	2	



59_1 Flap bellcrank installation



NB: Refer to section 84 for details



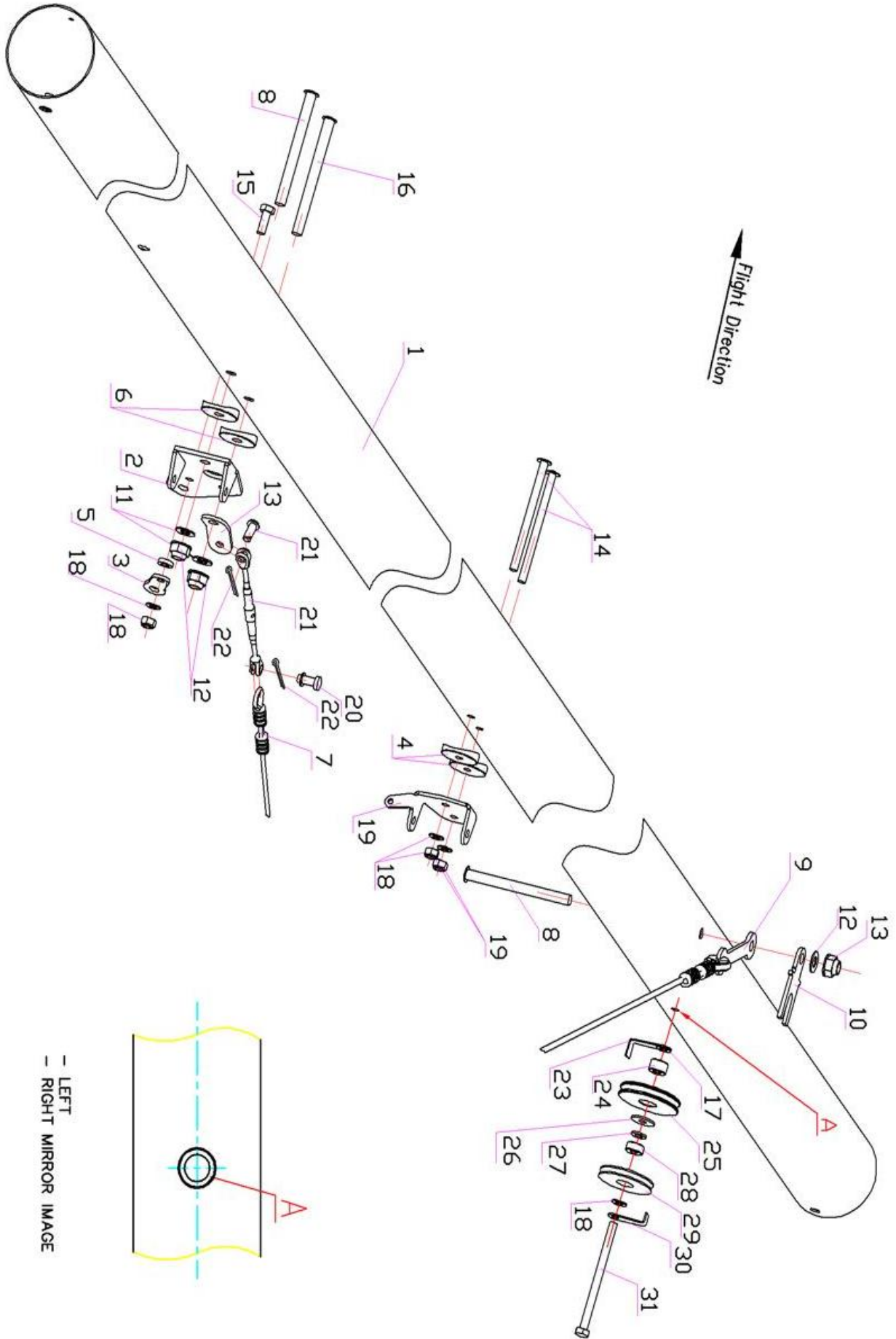


Section 60 Leading edge tube assembly

No.	Description	Qty each	Qty Total	Part No:
1	Leading edge tube	1	2	CH-00-21100-10
2	LE to Support strut channel bracket	1	2	CH-00-21100-70
3	Supporting plate	1	2	CH-00-21101
4	Saddle washer	2	4	CH-00-21114
5	Spacer	1	2	CH-00-21106
6	Saddle washer	2	4	CH-00-21113
7	Adjuster cable	1	2	CH-00-2100-50
8	Special bolt M8x88 (Shank 78)	2	4	CH-00-21102
9	Main Cable	1	2	CH-00-21100-60
10	Tension plate	1	2	CH-00-21123
11	Washer M8x16	3	6	
12	Nylock nut M8	3	6	
13	Interchange plate	1	2	CH-00-2179
14	Special bolt M6 x 86 (Shank 78)	2	4	CH-00-21115
15	Special bolt M6 x 17 (Shank 10)	1	2	CH-00-21105
16	Special Bolt M8 x 91 (Shank 81)	1	2	CH-00-21103
17	Washer M6 x 12	5	10	
18	M6 Nylock nut	3	6	
19	LE Cross member to Jury strut channel bracket	1	2	CH-00-21121
20	Pin	2	4	CH-00-20001
21	Turn buckle assembly	1	2	CH-00-12260
22	Split pin di 2.0 x 20	2	4	CH-00-21104
23	Cable stopper	1	2	CH-00-21125
24	Bush	1	2	CH-00-12292
25	Pulley (large)	1	2	CH-00-12290
26	M6 x 19 Washer	1	2	
27	M6 x 12 Thick washer	1	2	
28	Bush	1	2	CH-00-21124
29	Pulley (small)	1	2	CH-00-21119
30	Cable stopper	1	2	CH-00-21118
31	Bolt M6 x 85	1	2	CH-00-10014



60_1 Leading edge tube assembly



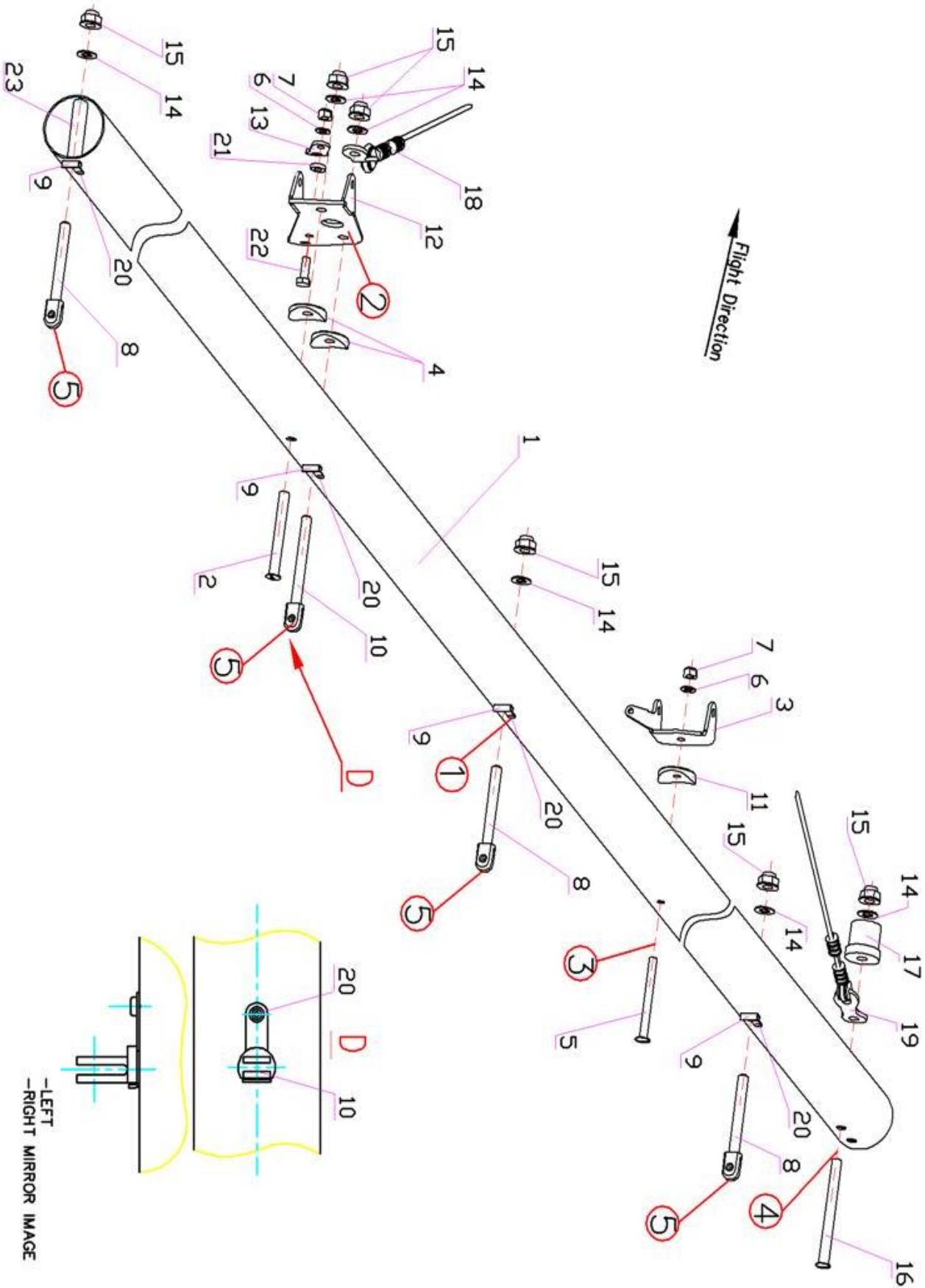


Section 61 Trailing edge tube assembly

No.	Description	Qty each	Qty Total	Part No:
1	Trailing edge tube	1	2	CH-00-21100-20
2	Special Bolt M8 x 67 (Shank 57)	1	2	CH-00-21108
3	TE Cross member to Jury Strut channel brkt	1	2	CH-00-21122
4	Saddle washer	2	4	CH-00-21126
5	Special Bolt M6 x 65 (Shank 57)	1	2	CH-00-21128
6	Washer M6 x 12	2	4	
7	Nylock nut M6	2	4	
8	M8 x 63 Eye bolt	3	6	CH-00-21111
9	Stopper plate	4	8	CH-00-21112
10	M8 x 71 Eye bolt	1	2	CH-00-21109
11	Saddle washer	1	2	CH-00-21127
12	TE Cross member to Suppt Strut channel brkt	1	2	CH-00-21100-70
13	Supporting plate	1	2	CH-00-21101
14	Washer M8 x 16	5	10	
15	Nylock nut M8	5	10	
16	Special bolt M8 x 84 (Shank 74)	1	2	CH-00-21129
17	Spacer	1	2	CH-00-21131
18	Page 75 No 10	1	2	
19	Page 75 No 8	1	2	
20	Pop rivet di 3.2 x 10 St Steel	4	8	
21	Spacer	1	2	CH-00-21106
22	Special bolt M6 x 17 (Shank 10)	1	2	CH-00-21105
23	spacer	1	2	CH-00-21132



61_1 Trailing edge tube assembly



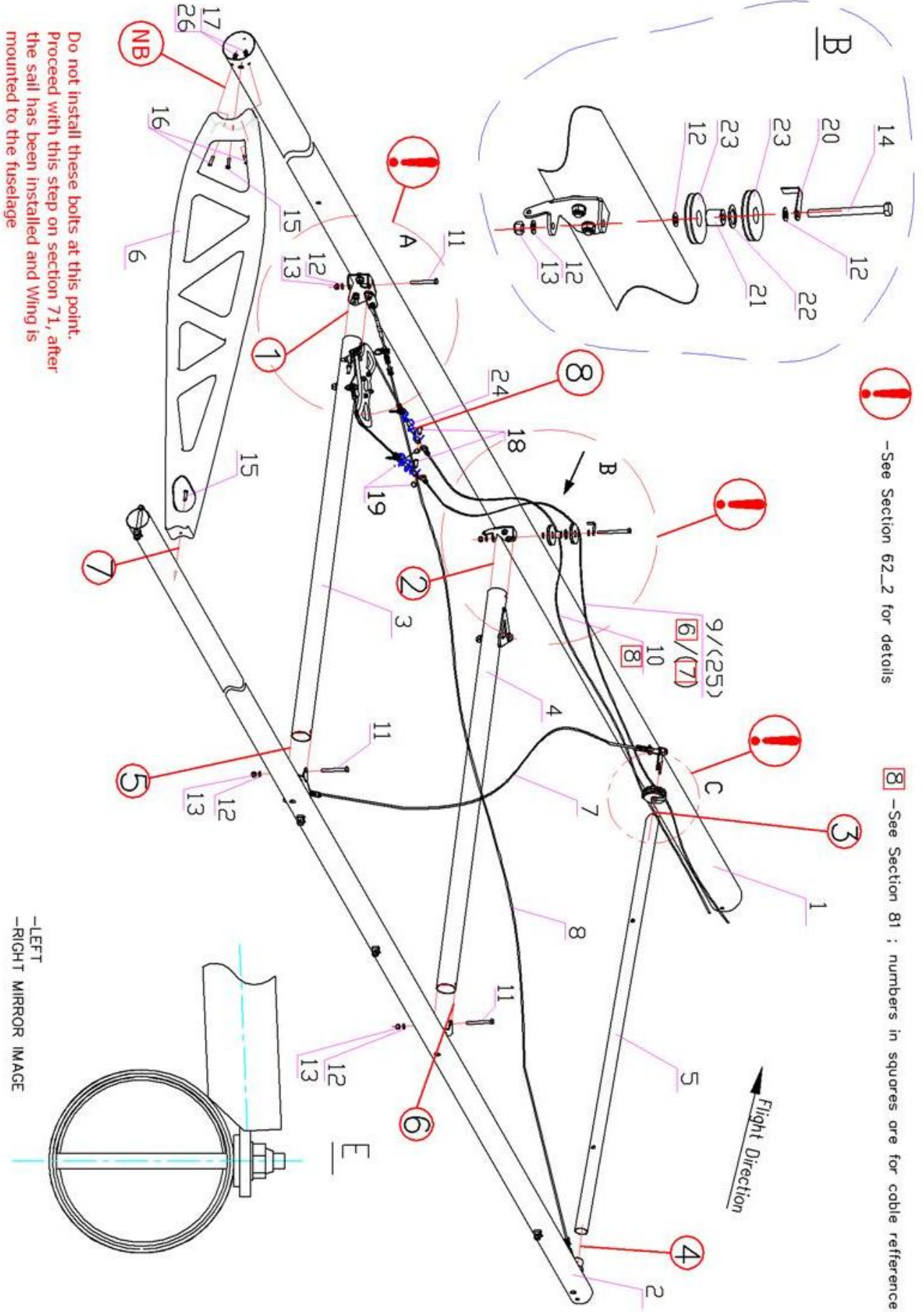


Section 62 Wing frame assembly

No.	Description	Qty each	Qty Total	Part No:
1	Leading edge tube (section 61)	1	2	
2	Trailing edge tube (section 62)	1	2	
3	Aileron control butterfly assembly (section 59)	1	2	
4	Flap bell crank installation (section 60)	1	2	
5	Sail stretch tube	1	2	CH-00-21140
6	Wing end profile	1	2	CH-00-21100-40
7	Main cable (section 61 - p9)	1	2	
8	Adjuster cable (section 61 – p7)	1	2	
9	Rear Aileron control cable - LH	1	1	CH-00-21200-10-01
10	Front Aileron control cable	1	1	CH-00-21100-90
11	Special Bolt M6 x 55	3	6	CH-00-21107
12	M6 Flat washer	6	12	
13	M6 Nylock nut	4	8	
14	Bolt M6 x 70	1	2	
15	Bolt M5 x 16	2	4	
16	Machine screw M5 x 16	2	4	
17	M5 Nylock nut	2	4	
18	Clevis pin		3	CH-00-20001
19	Split pin di 2.0 x 20		3	
20	Stopper plate	1	2	CH-00-21118
21	Bush	1	2	CH-00-21116
22	M6x20 Flat washer	1	2	
23	Pulley (small)	2	4	CH-00-21119
24	Safety wire 0.9 x 400			
25	Rear Aileron control cable - RH	1	1	CH-00-21200-10-02
26	M5 Flat washer	2	4	



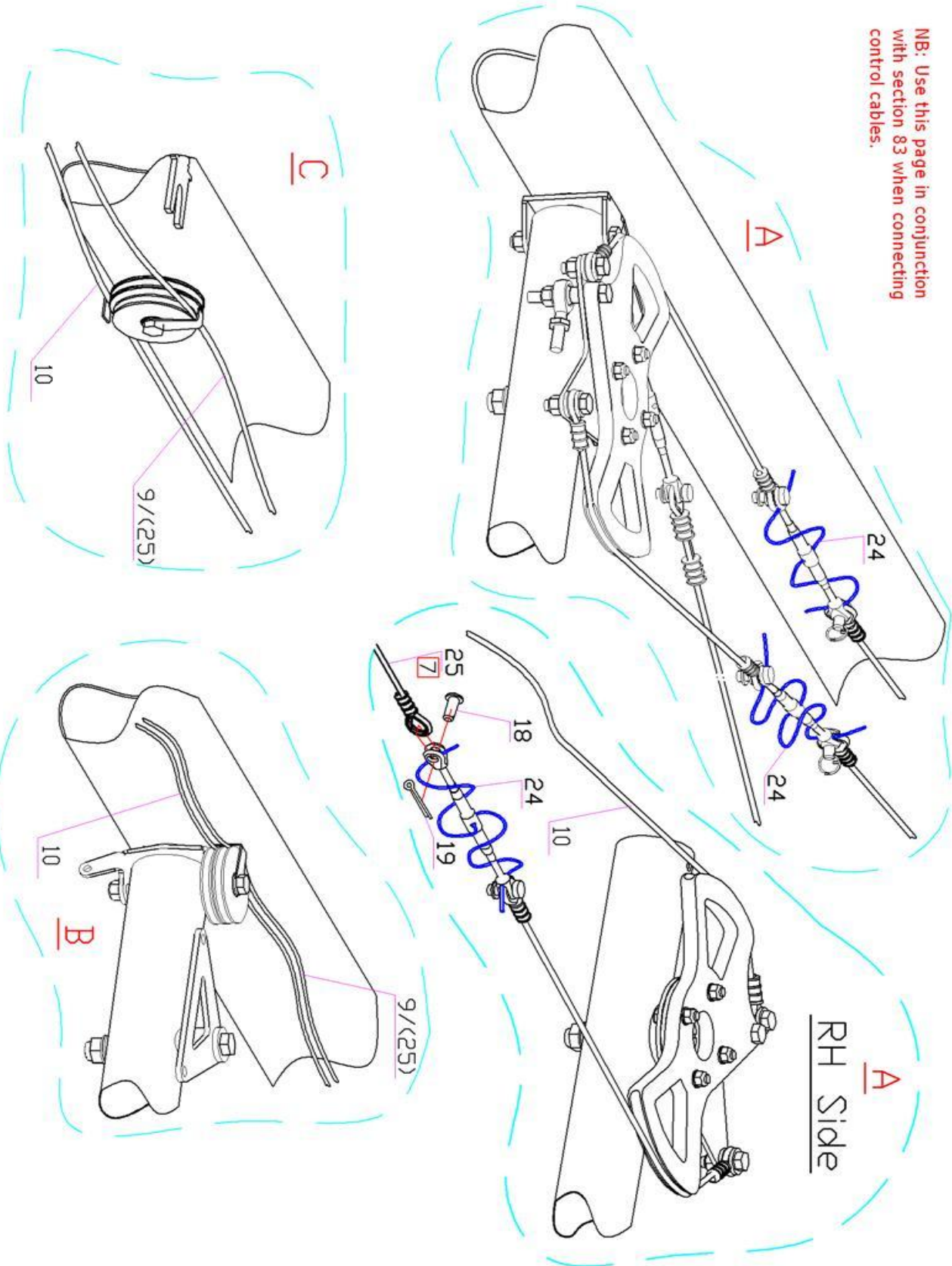
62_1 Wing frame assembly





62_2 Wing frame assembly

NB: Use this page in conjunction with section 83 when connecting control cables.



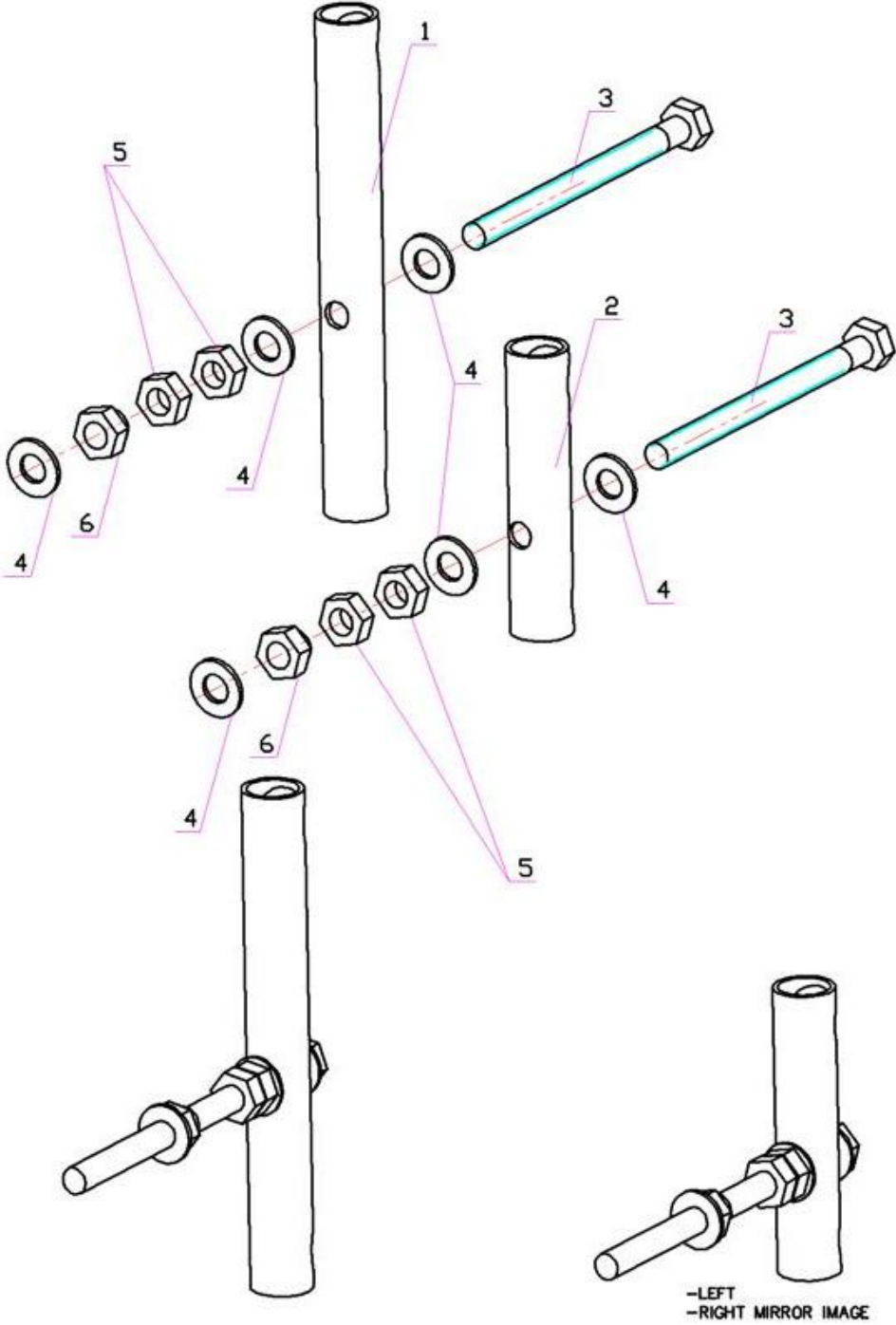


Section 63 Wing stretch mechanism assembly

No.	Description	Qty each	Qty Total	Part No:
1	Front stretch mechanism tube	1	2	CH-00-21701
2	Rear stretch mechanism tube	1	2	CH-00-21801
3	Bolt M8 x 120 (shank 25)	2	4	CH-00-21702
4	Washer M8 x 16	6	12	
5	M8 thin nut	6	12	
6	M8 nylock nut	2	4	



63_1 Wing stretch mechanism assembly





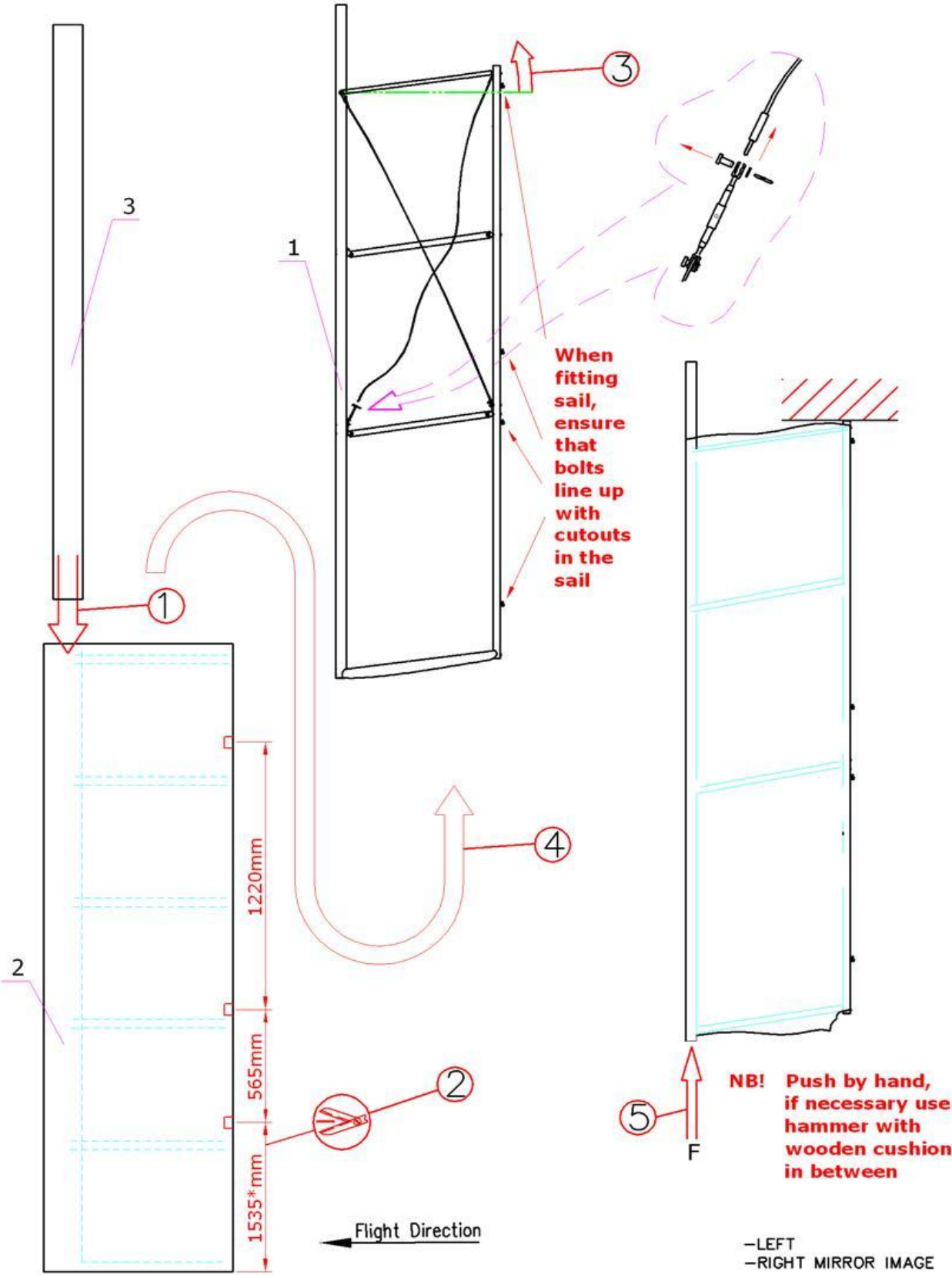
Section 64 **Wing sail installation**

No.	Description	Qty each	Qty Total	Part No:
1	Main wing assembly (section 63)	1	2	
2	Wing sail	1	2	CH-00-21500
3	Mylar leading edge	1	2	CH-00-21001

Note: For easy insertion apply baby powder to wing frame tubes before putting on wing sail



64_1 Wing sail installation



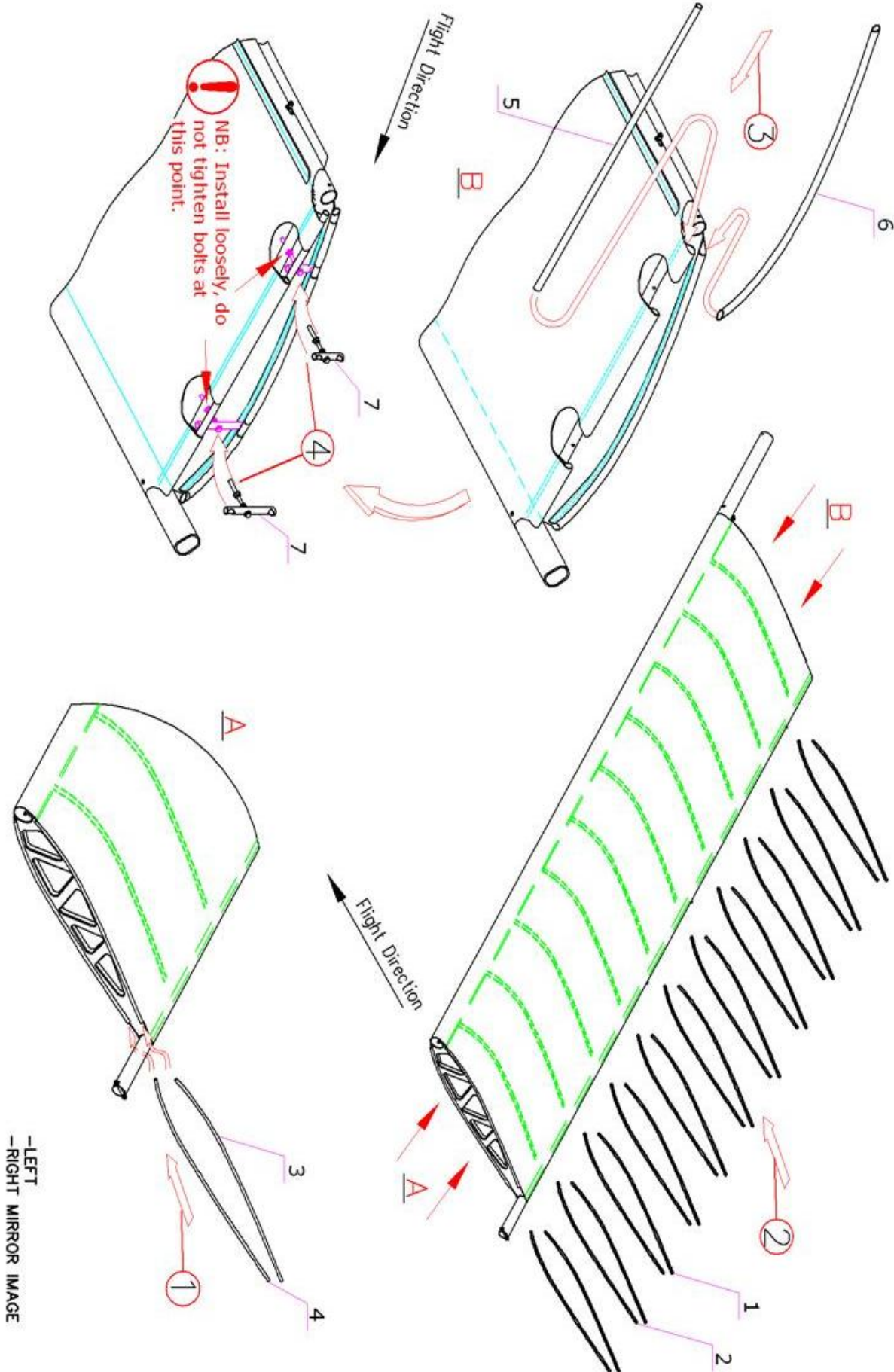


Section 65 **Wing battens installation**

No.	Description	Qty each	Qty Total	Part No:
1	Top wing batten	10	20	CH-00-21300
2	Bottom wing batten	10	20	CH-00-21400
3	Top End wing batten	1	2	CH-00-21002
4	Bottom End wing batten	1	2	CH-00-21003
5	Bottom tensioning batten	1	2	CH-00-21503
6	Top tensioning batten	1	2	CH-00-21002
7	Wing stretch mechanism (section 64)			



65_1 Wing battens installation



-LEFT
-RIGHT MIRROR IMAGE

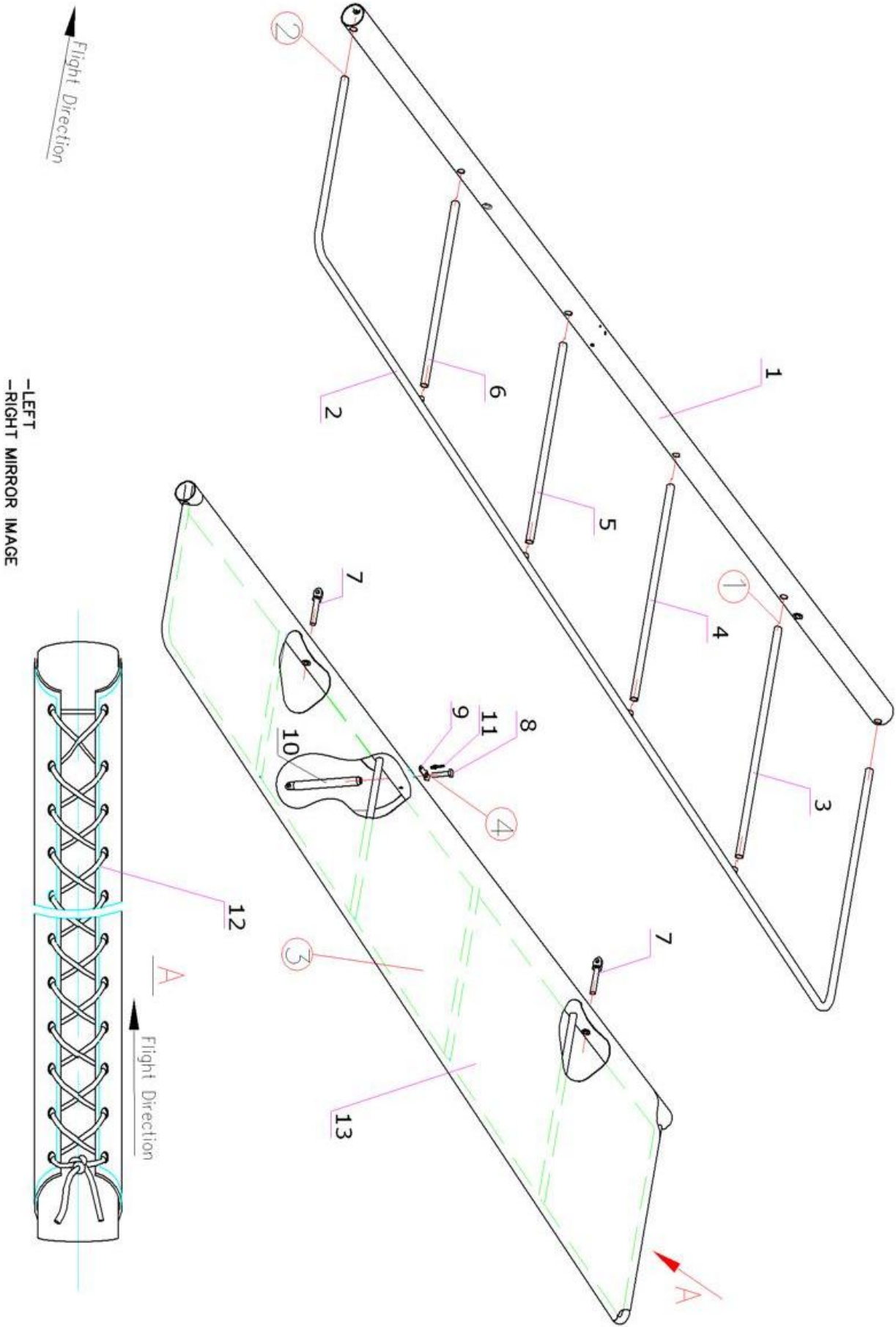


Section 66 Wing flap assembly

No.	Description	Qty each	Qty Total	Part No:
1	Leading edge	1	20	CH-00-22110
2	Trailing edge	1	20	CH-00-22120
3	Strut	1	2	CH-00-22101
4	Strut	1	2	CH-00-22102
5	Strut	1	2	CH-00-22103
6	Strut	1	2	CH-00-22104
7	Ear bolt M6 (Male)	2	4	CH-00-22001
8	Bolt M6 x 25	1	2	
9	Stopper plae	1	2	CH-00-23003
10	Flap push lever	1	2	CH-00-22003
11	Pop rivet 3.2 x 10 St Steel	1	2	
12	Polyester string di 2.0 x 1750	1	2	CH-00-22200
13	Sail	1	2	



66_1 Wing flap assembly



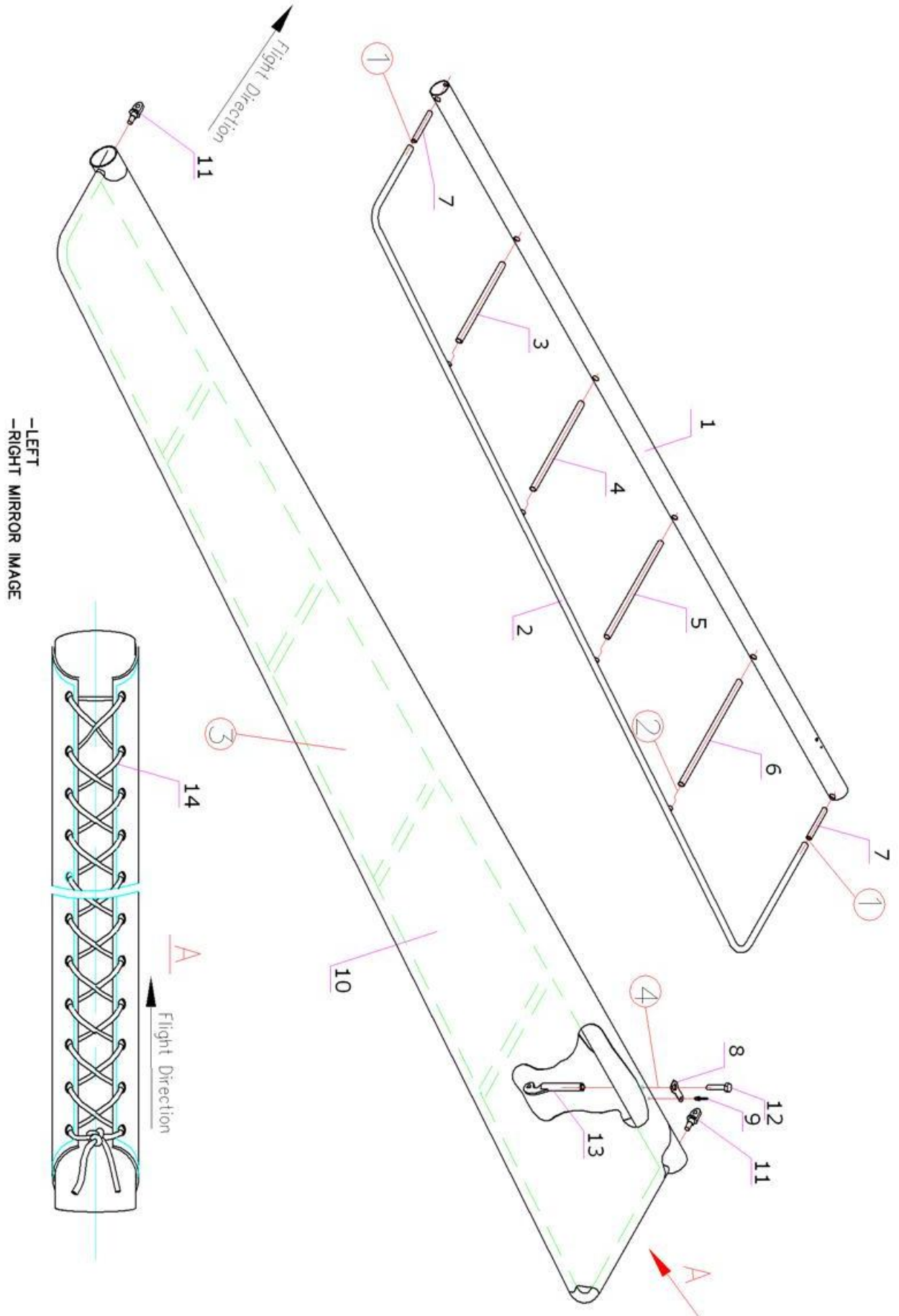


Section 67 Wing aileron assembly

No.	Description	Qty each	Qty Total	Part No:
1	Leading edge	1	2	CH-00-23110
2	Trailing edge	1	2	CH-00-23120
3	Strut	1	2	CH-00-23101
4	Strut	1	2	CH-00-23102
5	Strut	1	2	CH-00-23103
6	Strut	1	2	CH-00-23104
7	bush	2	4	CH-00-23105
8	Stopper	1	2	CH-00-23003
9	Pop rivet 3.2 x 10 St Steel	1	2	
10	Sail	1	2	CH-00-22200
11	Eye bolt m6 (MALE)	1	2	CH-00-23002
12	Bolt M6 x 25	1	2	
13	Arm	1	2	CH-00-23300
14	Polyester string di 2.0 x 1200	1	2	



67_1 Wing aileron assembly





Section 68 Wing struts assembly

No.	Description	Qty each	Qty Total	Part No:
1	Airofoil tube	1	2	CH-00-01101
2	Airofoil tube	1	2	CH-00-01201
3	Bush	4	8	CH-00-01104
4	Adaptor	2	4	CH-00-01102
5	Top adaptor	1	2	CH-00-01102
6	Adaptor	1	2	CH-00-01102
7	Connection tube		1	CH-00-01502
8	Hose di 6.0 x 3000		1	CH-00-01501
9	Pilot tube mounting bracket		1	CH-00-00005
10	Pilot tube		1	CH-00-00009
11	Pilot flag		1	CH-00-01500
12	Tie wrap small 2.5 x 104		1	
13	Hose di 6.0 x 2500		1	CH-00-01503
14	Bolt M6 x 40 (shank 30)	8	16	CH-00-01105
15	Washer M6 x 12	8	16	
16	M6 nylock nut	8	16	

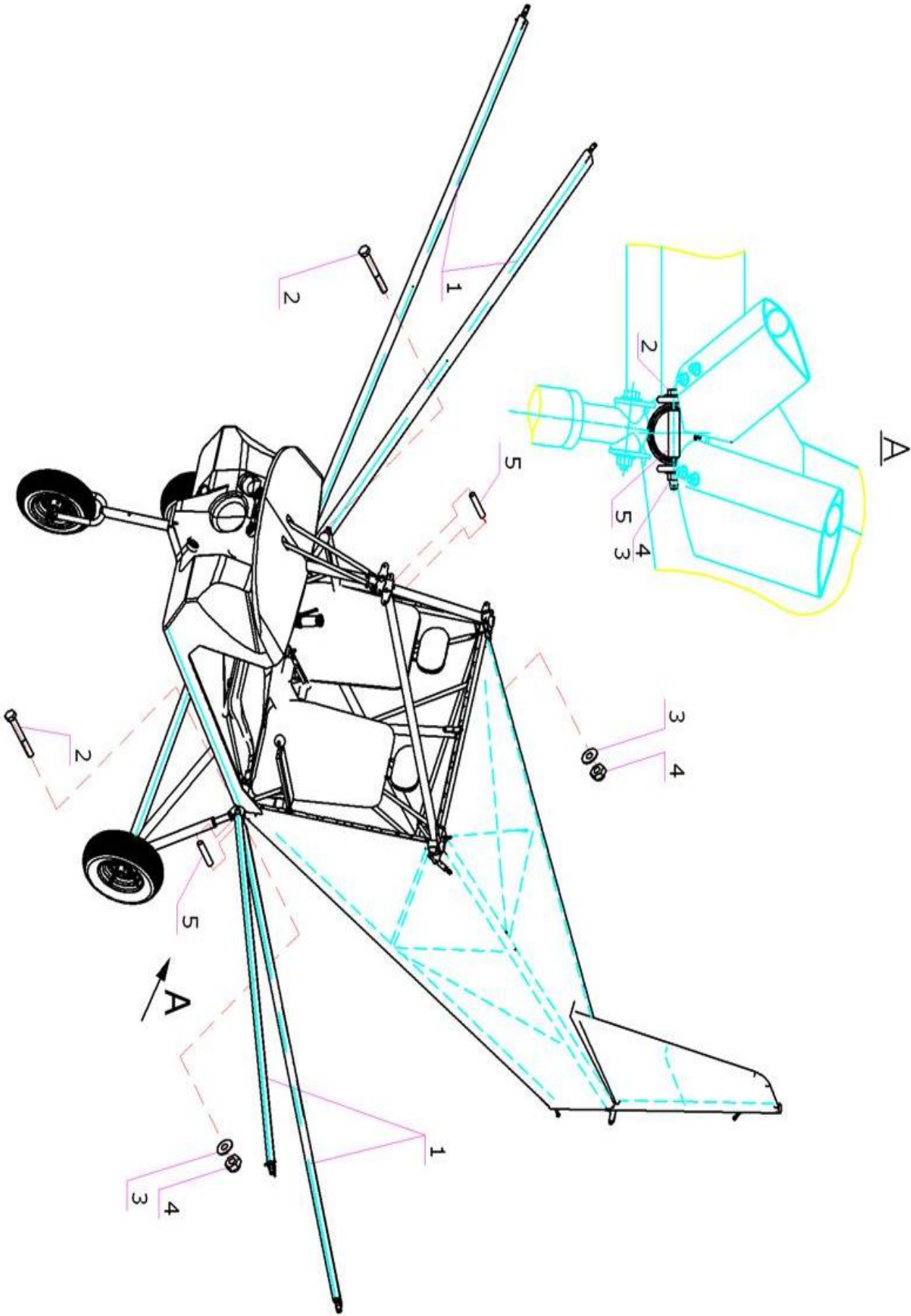


Section 69 Wing struts installation

No.	Description	Qty each	Qty Total	Part No:
1	Wing struts	4	4	
2	Bolt M8 x 63 (shank 51)	2	2	CH-00-00012
3	Washer M8 x 16	2	2	
4	M8 nylock nut	2	2	
5	Sleeve	2	2	CH-00-00011



69_1 Wing strut installation



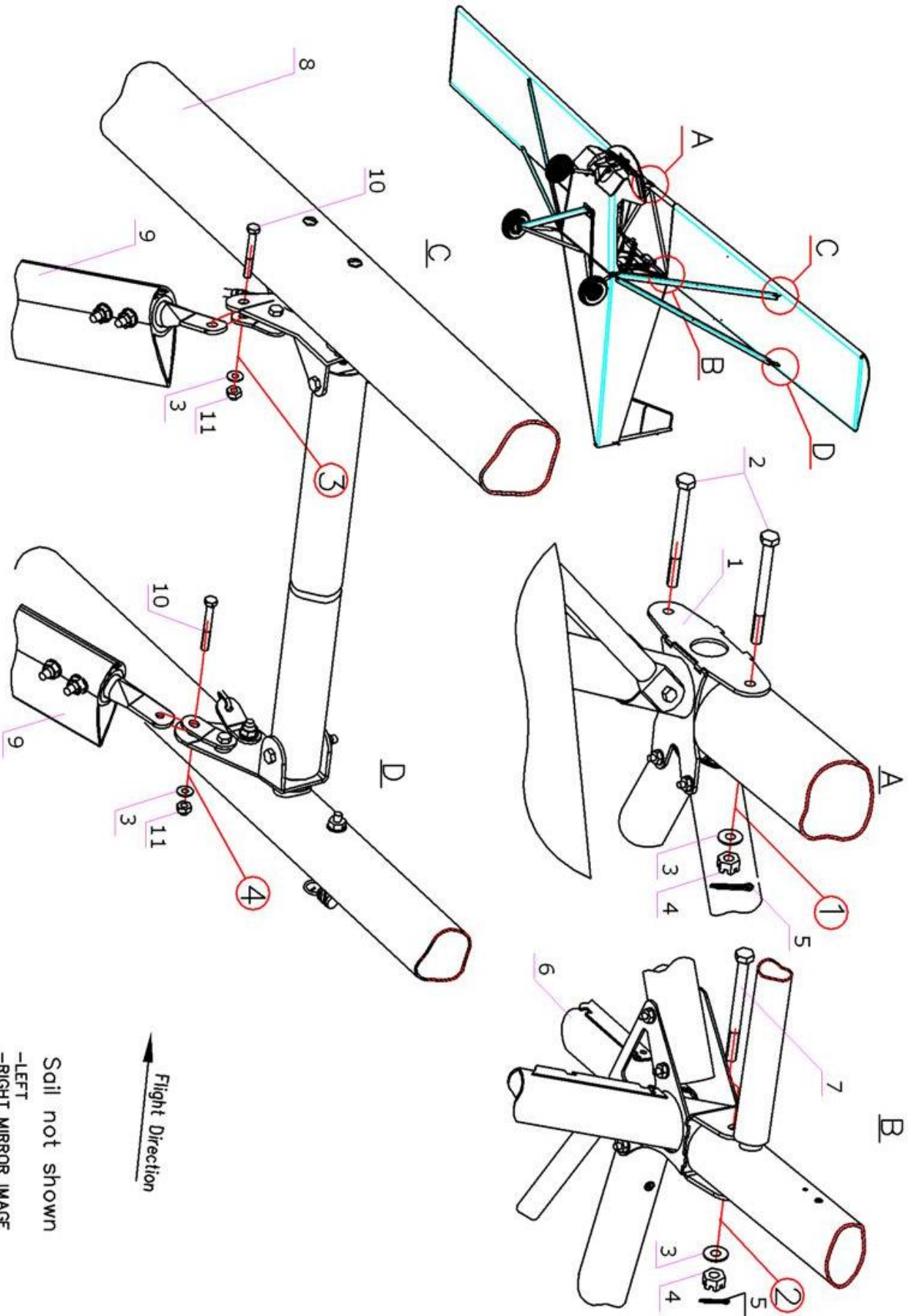


Section 70 Wing installation

No.	Description	Qty each	Qty Total	Part No:
1	Section 8		1	
2	Special Bolt M8 x 91 (Shank 79)	2	2	CH-00-00029
3	Washer M8 x 16	4	10	
4	Castle nut M8	2	4	
5	Split pin 2.5 x 50	2	4	
6	Section 6		1	
7	Special Bolt M8 x 71	1	2	CH-00-00021
8	Section 61	1	2	
9	Section 69 (wing strut)	4	4	
10	Special bolt M8 x 22 (Shank 10)	2	4	CH-00-00013
11	M8 Nylock nut	2	4	



70_1 Wings installation



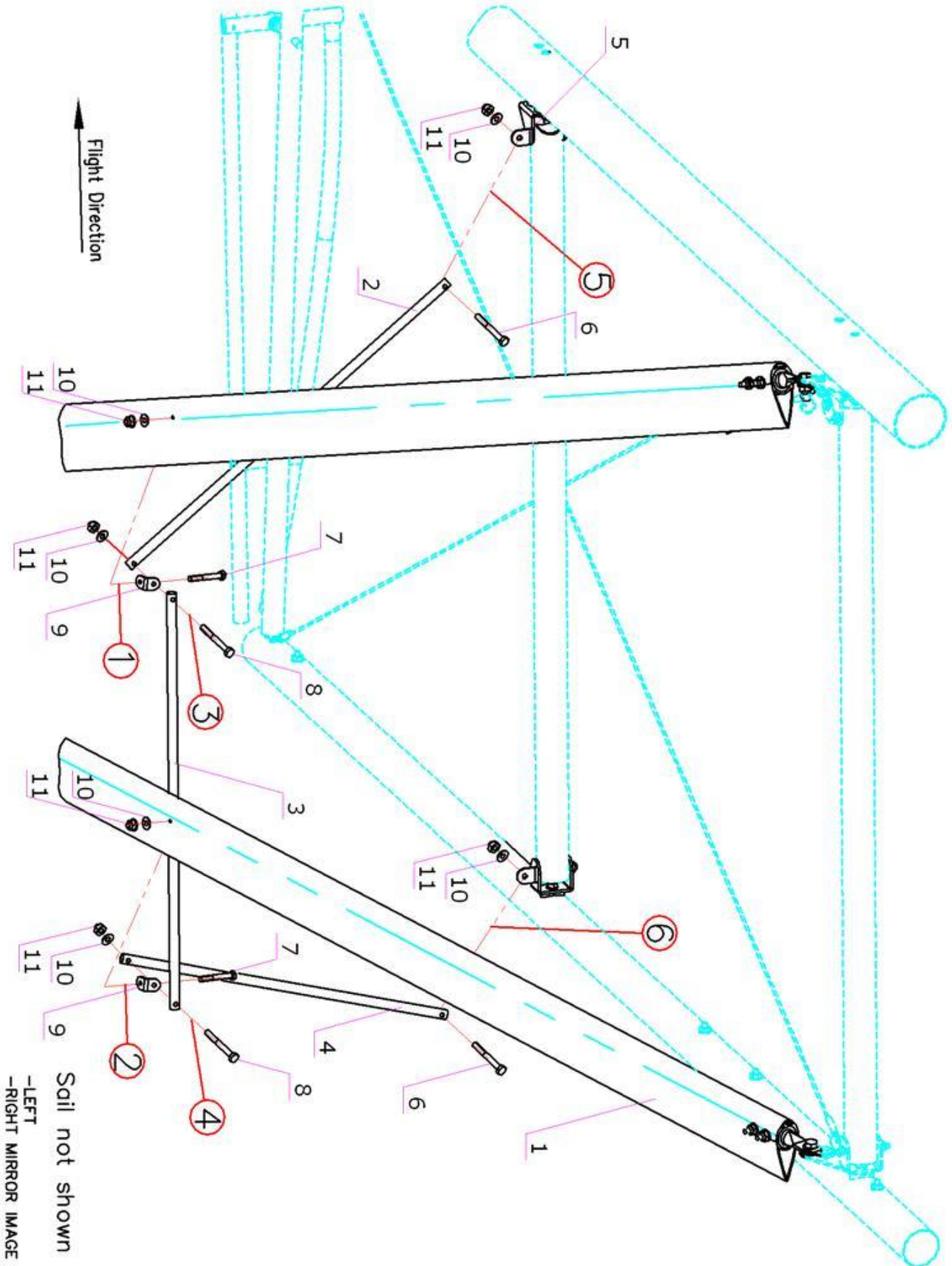


Section 71 Wing installation continued

No.	Description	Qty each	Qty Total	Part No:
1	Section 69 (wing strut)	1	2	
2	Front Jury strut	1	2	CH-00-01310
3	Horizontal Jury strut	1	2	CH-00-01320
4	Rear Jury strut	1	2	CH-00-01330
5	Section 61			
6	Bolt M4 x 20	2	4	CH-00-00044
7	Bolt M4 x 40	2	4	
8	Bolt M4 x 30	2	4	CH-00-00033
9	Wing-strut joining bracket	2	4	CH-00-00038
10	Washer M4	6	12	
11	M4 nylock nut	6	12	
12	Safety wire	1	2	

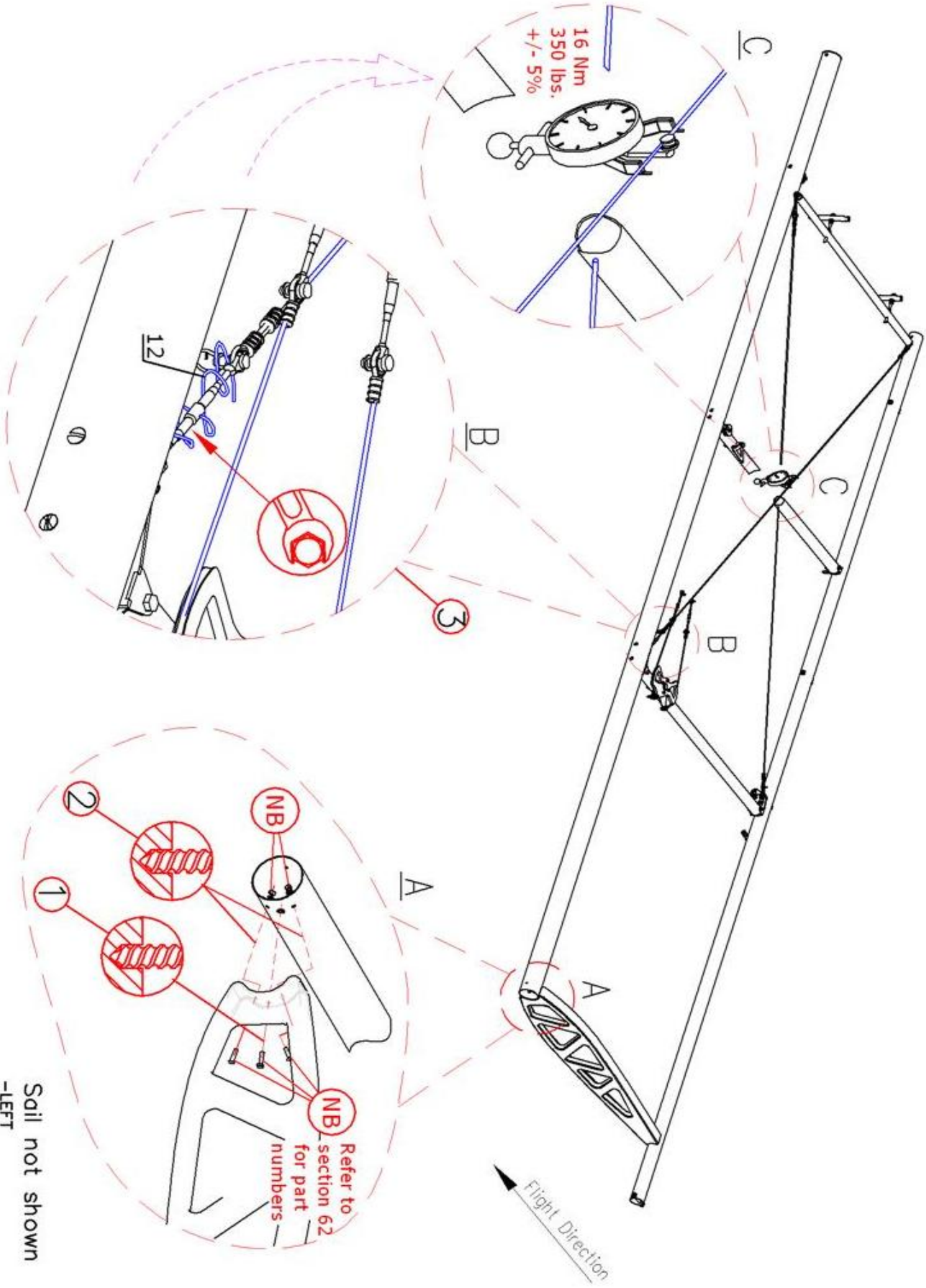


71_1 Wings installation continued





71_2 Wings installation continued



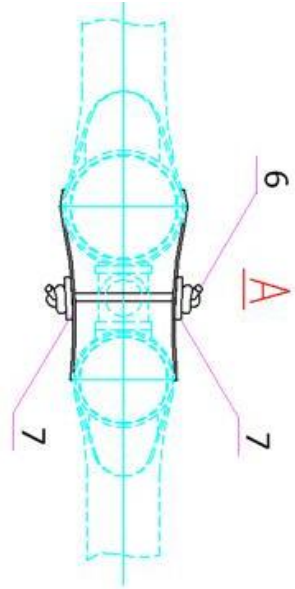
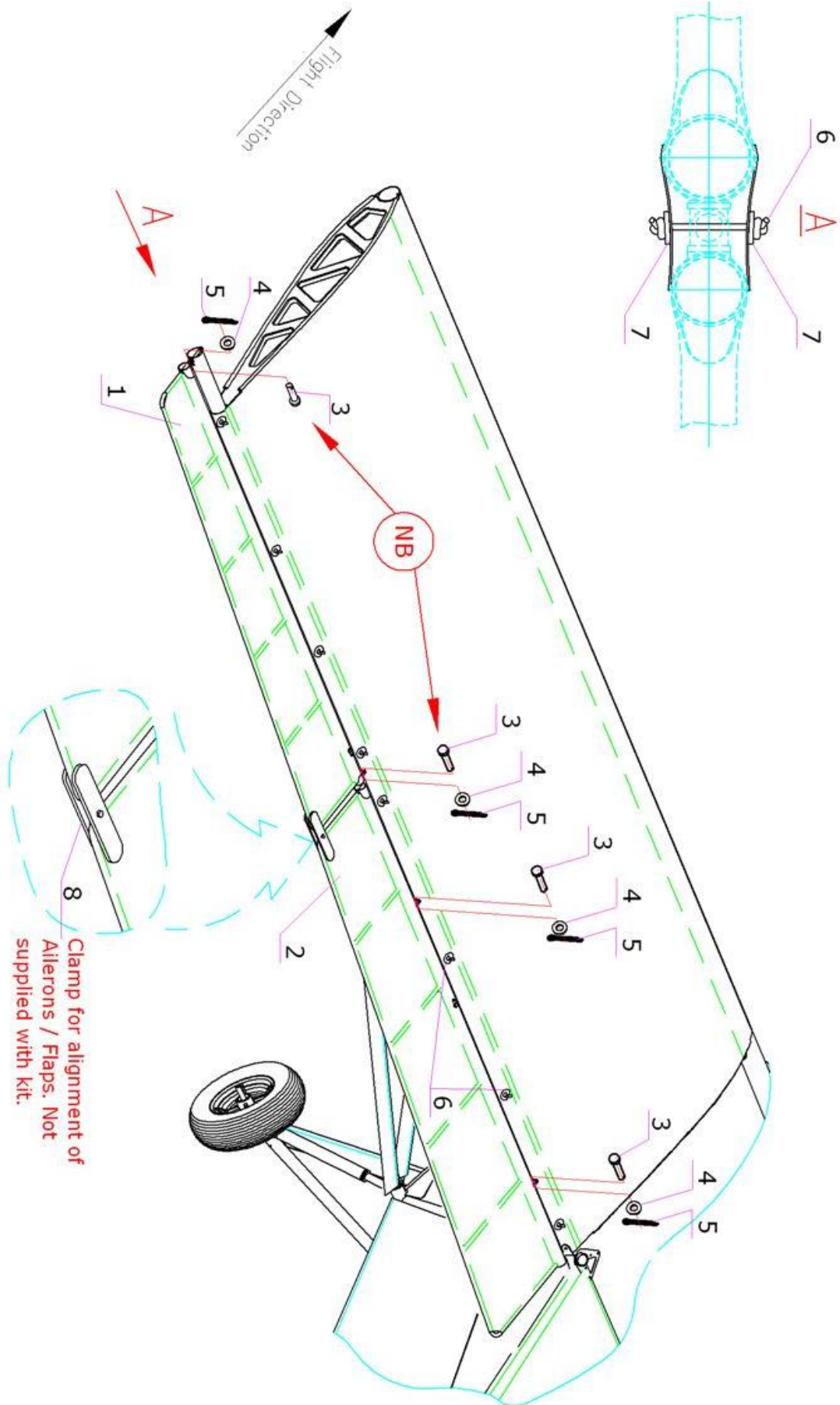


Section 72 Aileron & flap installation

No.	Description	Qty each	Qty Total	Part No:
1	Section 68 (Aileron ass)	1	2	
2	Section 67 (Flap ass)	1	2	
3	M6 clevis pin	4	8	CH-00-20001
4	M6 flat washer	4	8	
5	Split pin di 2.5 x 50	4	8	
6	Bungee cord di 2.5 x 80	8	16	
7	M4 flat washer	16	32	
8	Clamp (not supplied with std kit)	1	2	



72_1 Aileron & flap installation



-LEFT
-RIGHT MIRROR IMAGE

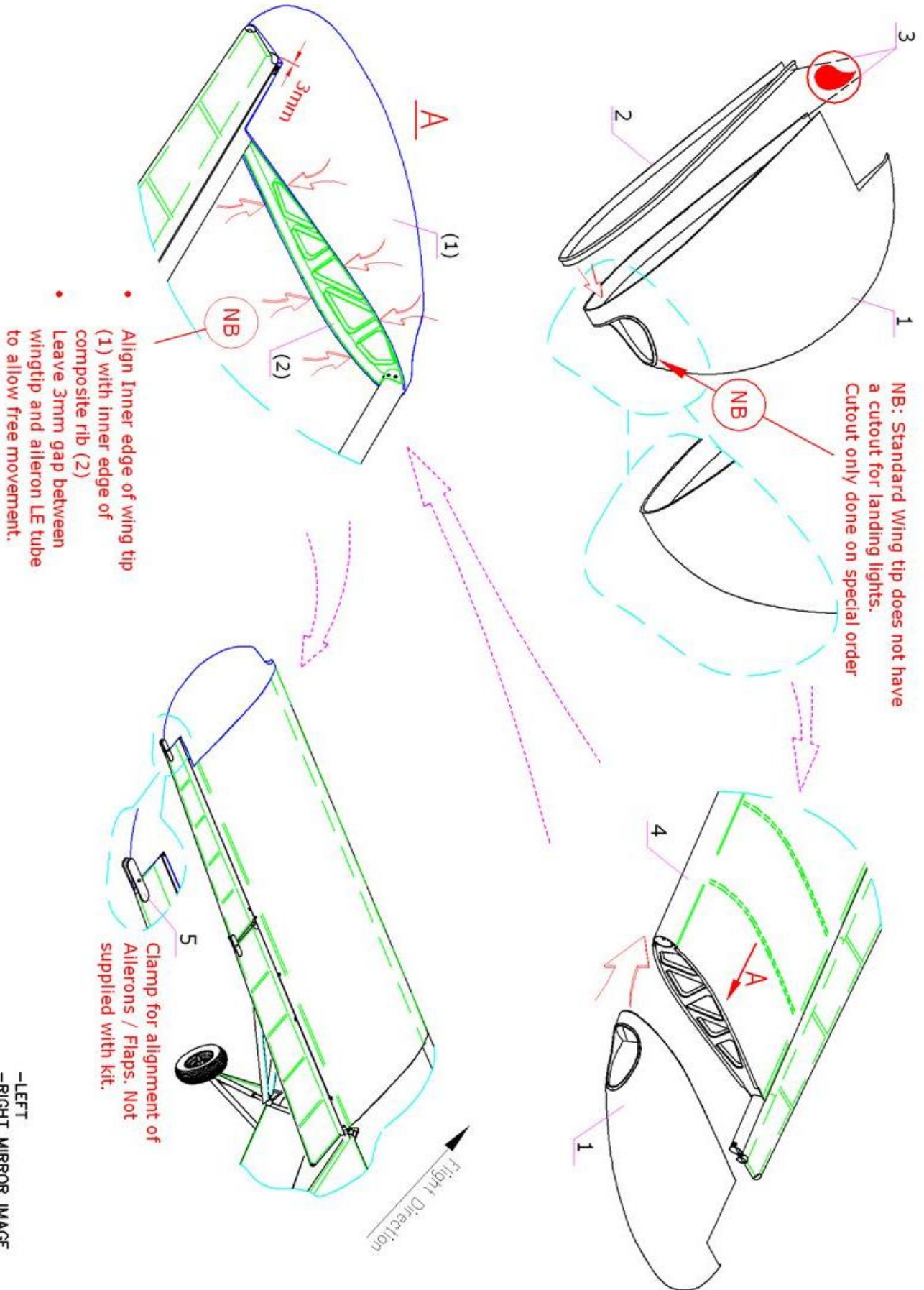


Section 73 Wing tip installation

No.	Description	Qty each	Qty Total	Part No:
1	Wing tip	1	2	CH-00-24100 CH-00-24200
2	Wing tip rubber beading – 2450mm	1	2	
3	Super glue (not supplied with std kit)	4	8	
4	Section 73 (Aileron & flap installation)	4	8	
5	Clamp (not supplied with std kit)	4	8	



73_1 Wings tip installation





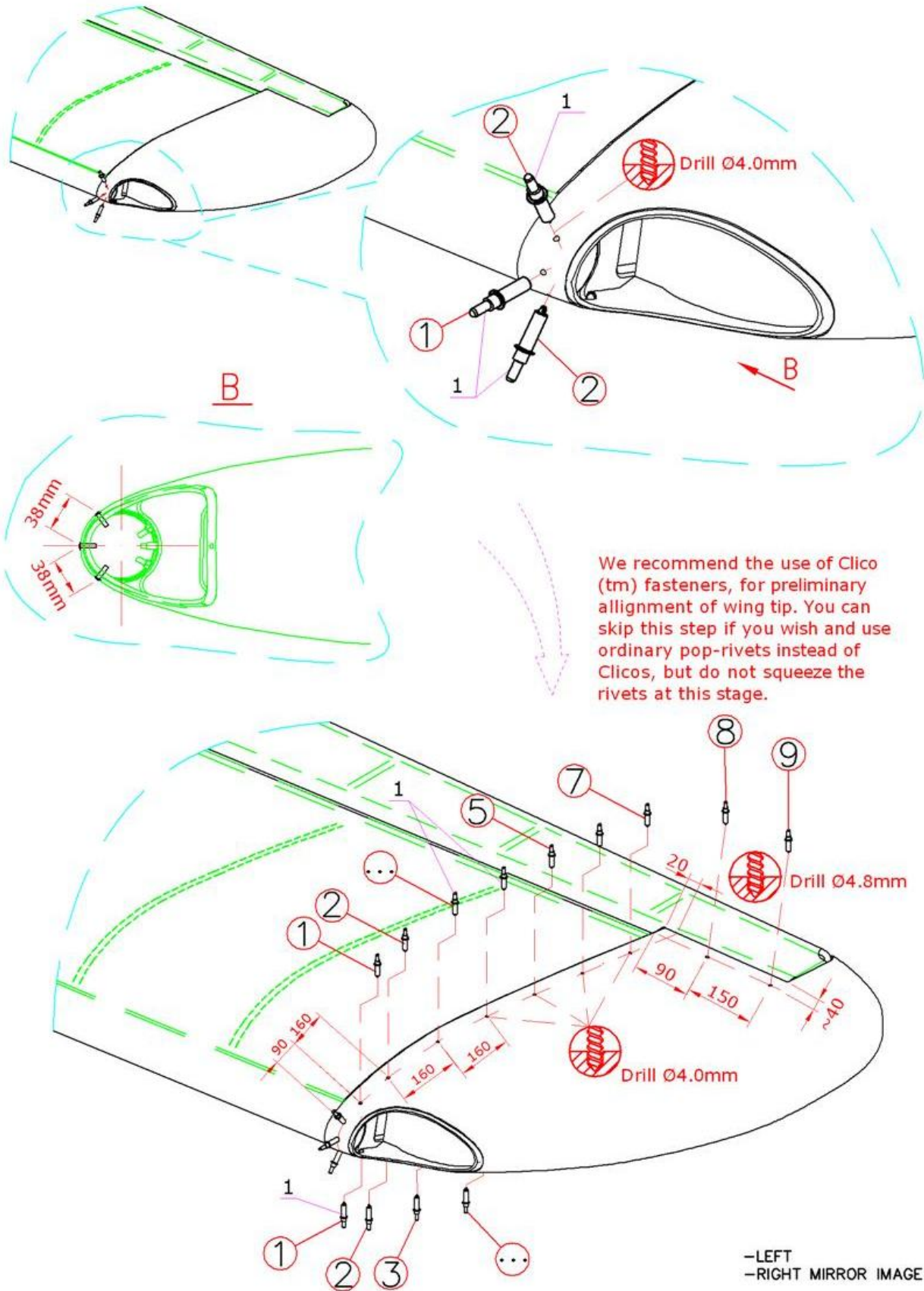
Section 74 Wing tip installation continued

No.	Description	Qty each	Qty Total	Part No:
1	Clico fasteners	21	42	

Note: Clicos (not supplied with std kit)



74_1 Wings tip installation continued



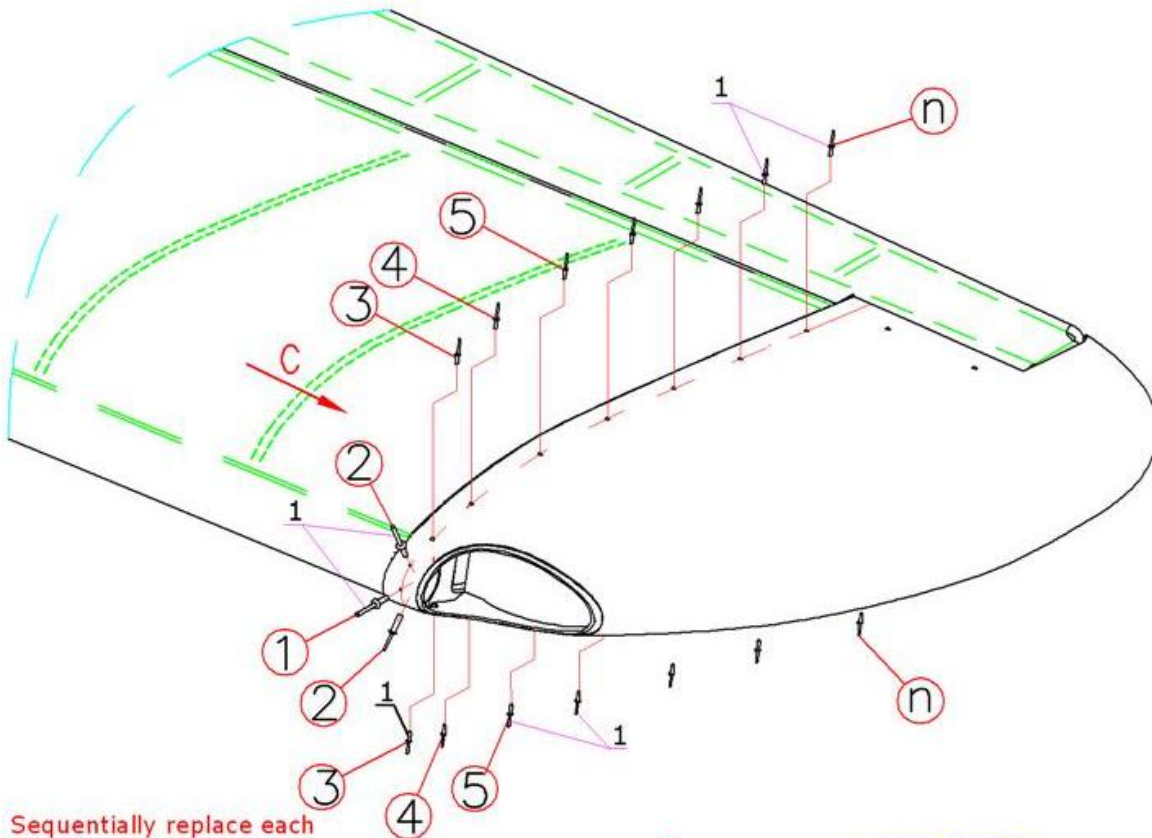


Section 75 Wing tip installation continued

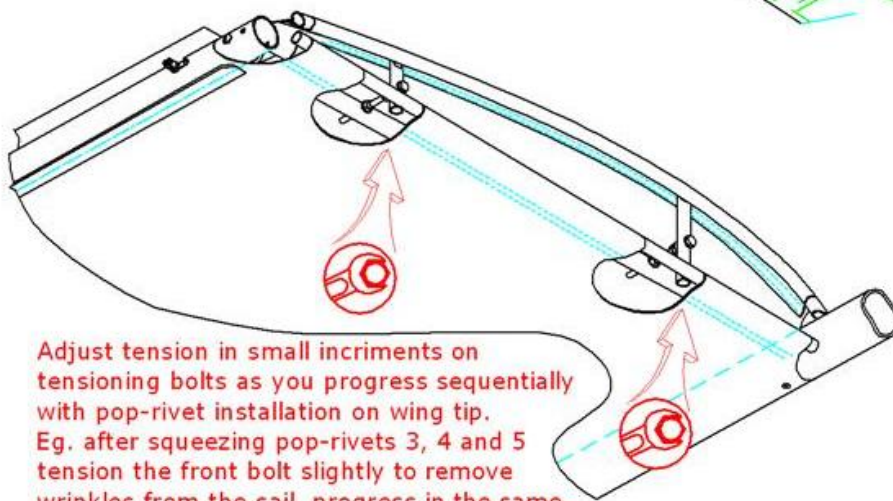
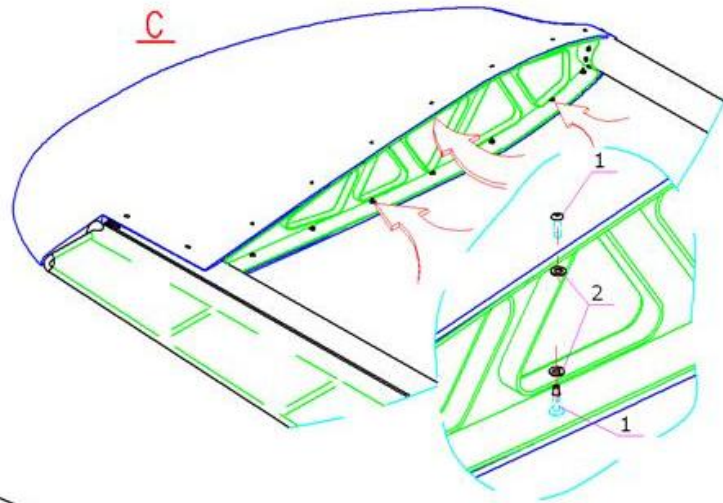
No.	Description	Qty each	Qty Total	Part No:
1	Pop rivets di 4.0 x 15 Aluminium	17	34	
2	M4 flat washer	17	34	



75_1 Wings tip installation continued



Sequentially replace each Clico from previous step with pop-rivets. If you used pop-rivets instead of Clicos for alignment, you can now sequentially squeeze the rivets.



Adjust tension in small increments on tensioning bolts as you progress sequentially with pop-rivet installation on wing tip. Eg. after squeezing pop-rivets 3, 4 and 5 tension the front bolt slightly to remove wrinkles from the sail, progress in the same manner with the rest.

-LEFT
-RIGHT MIRROR IMAGE

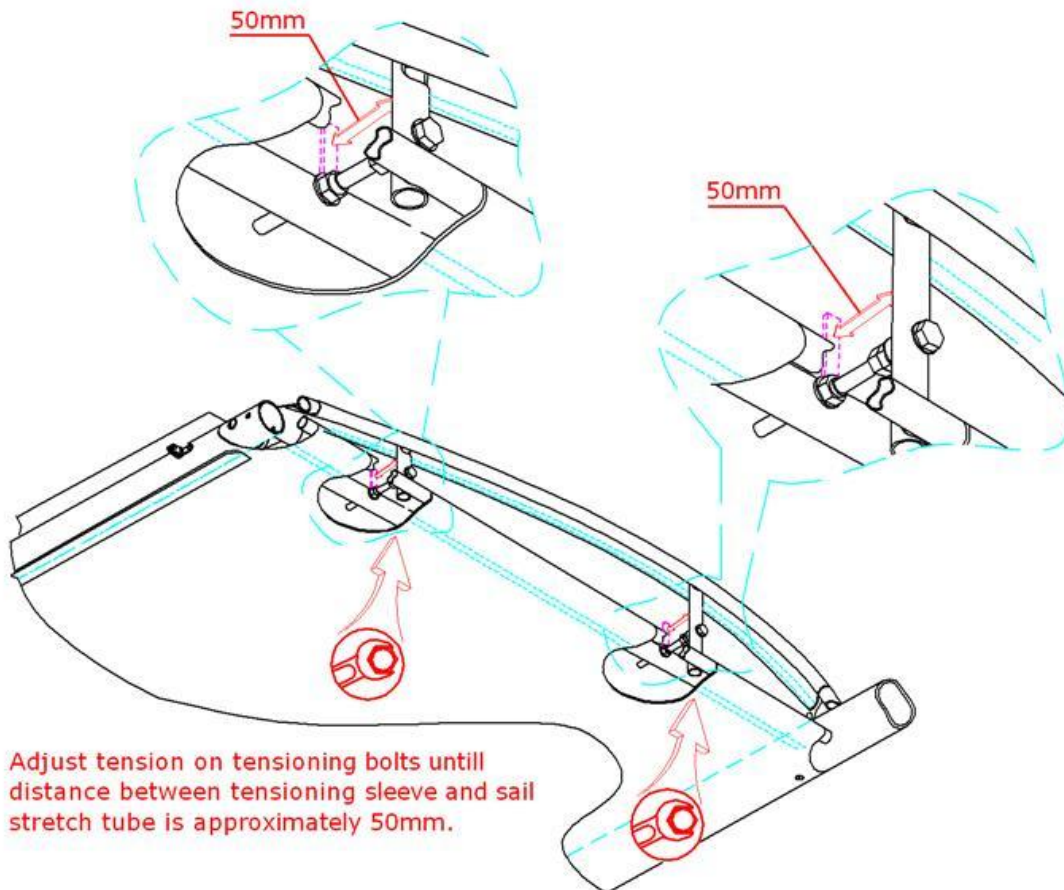
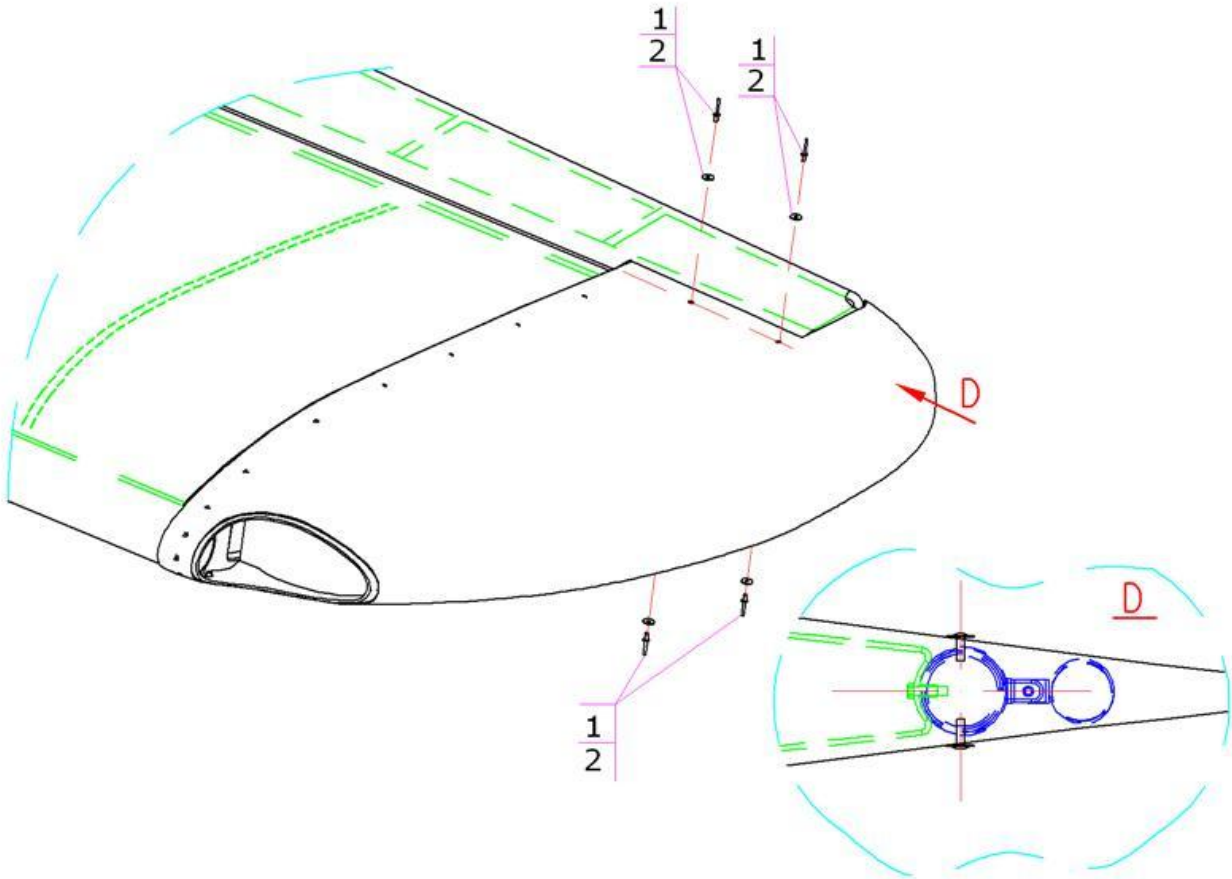


Section 76 Wing tip installation continued

No.	Description	Qty each	Qty Total	Part No:
1	Pop rivets di 4.8 x 12 Aluminium	4	8	
2	M5 x 16 flat wsaher	4	8	



76_1 Wings tip installation continued



Adjust tension on tensioning bolts until distance between tensioning sleeve and sail stretch tube is approximately 50mm.

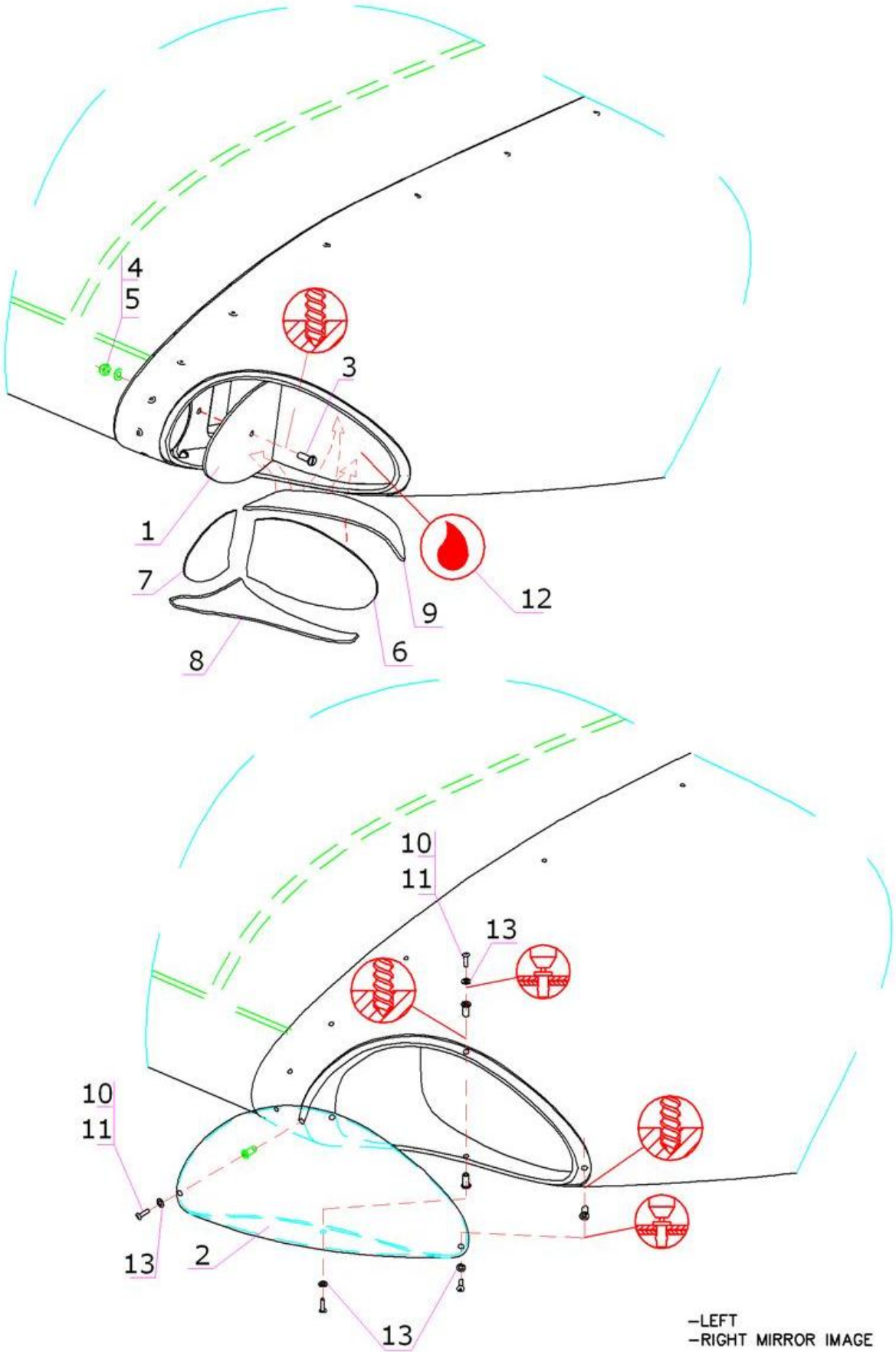


Section 77 Wing tip installation continued

No.	Description	Qty each	Qty Total	Part No:
1	Light mounting plate	1	2	CH-00-21100-40-30
2	Wing tip Lens cover (special order)	1	2	CH-00-24201
3	M6 x 20 Countersunk bolt	1	2	
4	M6 Nylock nut	1	2	
5	M6 Flat washer	1	2	
6	Rear reflective panel	1	2	
7	Side reflective panel	1	2	
8	Bottom reflective panel	1	2	
9	Top reflective panel	1	2	
10	M3 x 12 Machine screw	4	8	
11	M3 Rivet nut	4	8	
12	Glue (not supplied with kit)			
13	M3 Flat washer	4	8	



77_1 Wings tip installation continued



-LEFT
-RIGHT MIRROR IMAGE

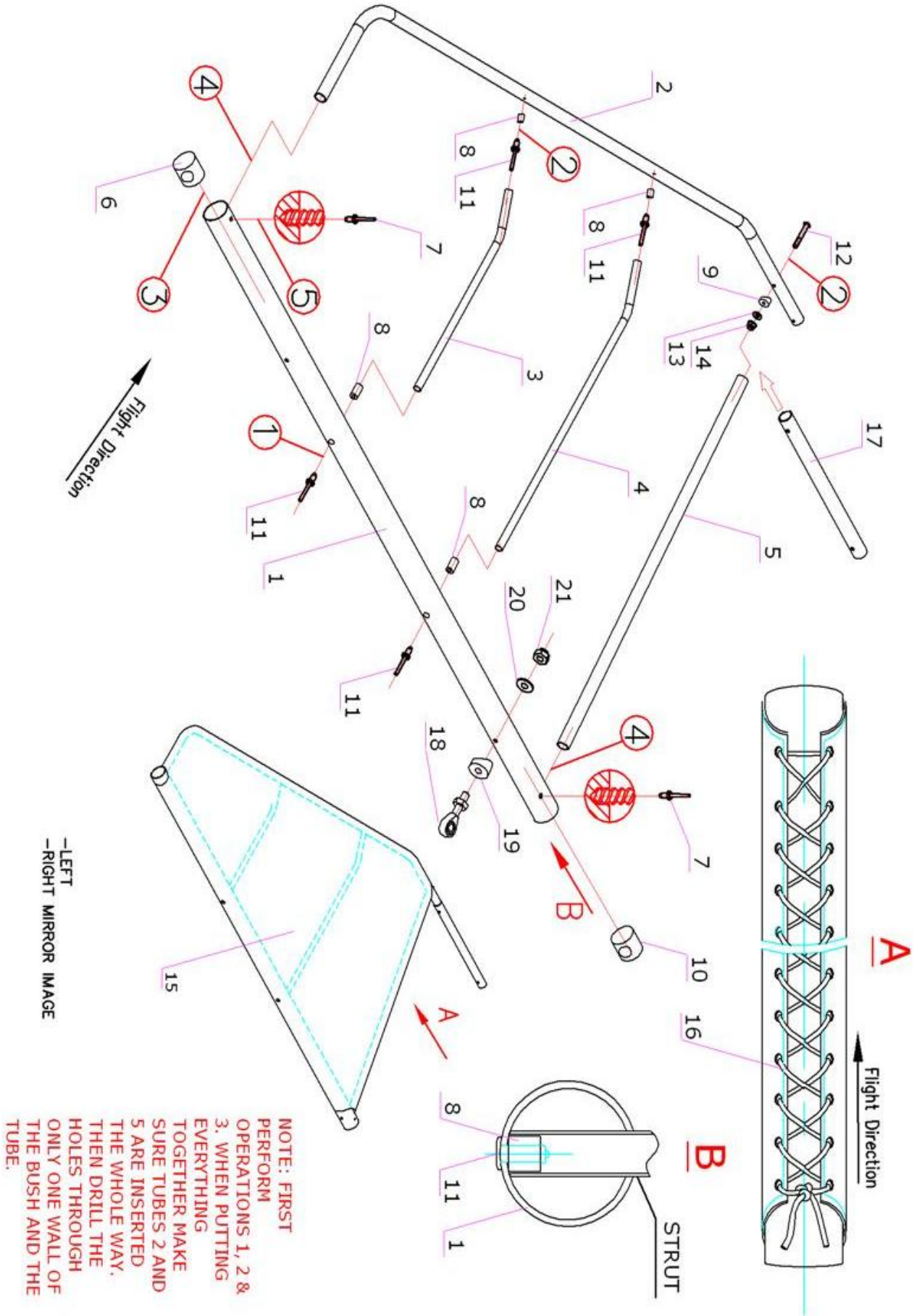


Section 78 Horizontal stabilizer assembly

No.	Description	Qty each	Qty Total	Part No:
1	Trailing edge tube	1	2	CH-00-33121
2	Leading edge tube	1	2	CH-00-33111
3	Rib No1	1	2	CH-00-33103
4	Rib No2	1	2	CH-00-33102
5	Base tube	1	2	CH-00-33101
6	End plug - outer	1	2	CH-00-31103
7	Pop rivet 4.8 x 20 St.Steel	2	4	
8	Bush	4	8	CH-00-22112
9	Saddle washer	1	2	CH-00-33106
10	End plug - inner	1	2	CH-00-33105
11	Pop rivet 3.2 x 10 St Steel	4	8	
12	Bolt M5 x 40	1	2	
13	M5 Flat washer	1	2	
14	M5 Nylock nut	1	2	
15	Horizontal stabilizer sail	1	2	CH-00-33200
16	Polyester string di 2.0 x 2200	1	2	
17	Horizontal stabilizer & fuselage joining-tube		1	CH-00-00007
18	M6 eye bolt	1	2	CH-00-31001
19	Saddle washer	1	2	CH-00-33001
20	M6 flat washer	1	2	
21	M6 nylock nut	1	2	



78_1 Horizontal stabilizer assembly





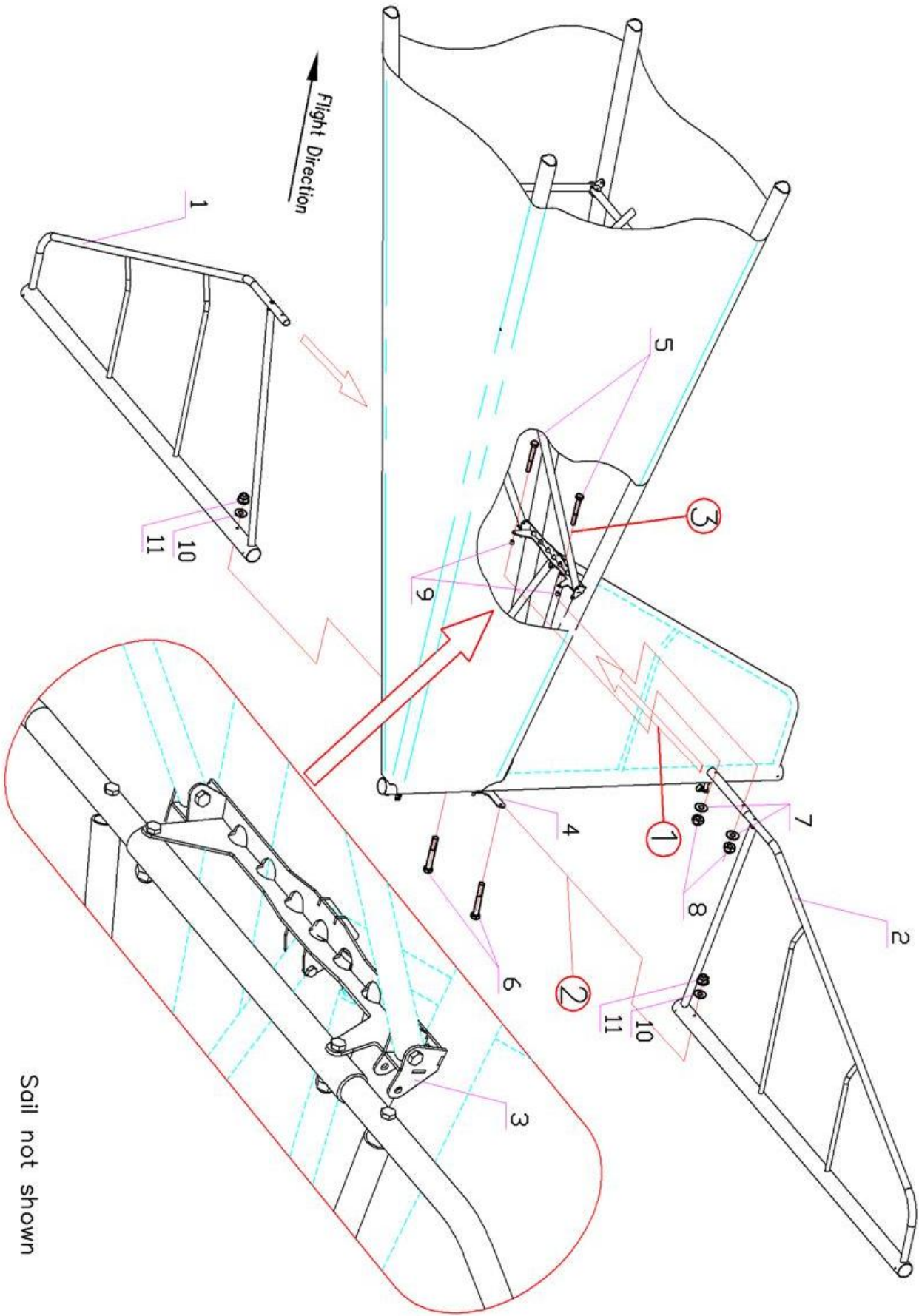
Section 79 Horizontal stabilizer installation

No.	Description	Qty each	Qty Total	Part No:
1	Section 79 - LH	1	1	
2	Section 79 - RH	1	1	
3	Section 14		1	
4	Section 28		1	
5	Bolt M5 x 35	2	2	
6	Bolt M6 x 55	2	2	
7	M5 Flat washer	2	2	
8	M5 Nylock nut	2	2	
9	Spacer bush*	2	2	CH-00-21106
10	M6 Flat washer	2	2	
11	M6 Nylock nut	2	2	

Note: in some cases this bush may be replaced with 3 x M5 washers



79_1 Horizontal stabilizer installation



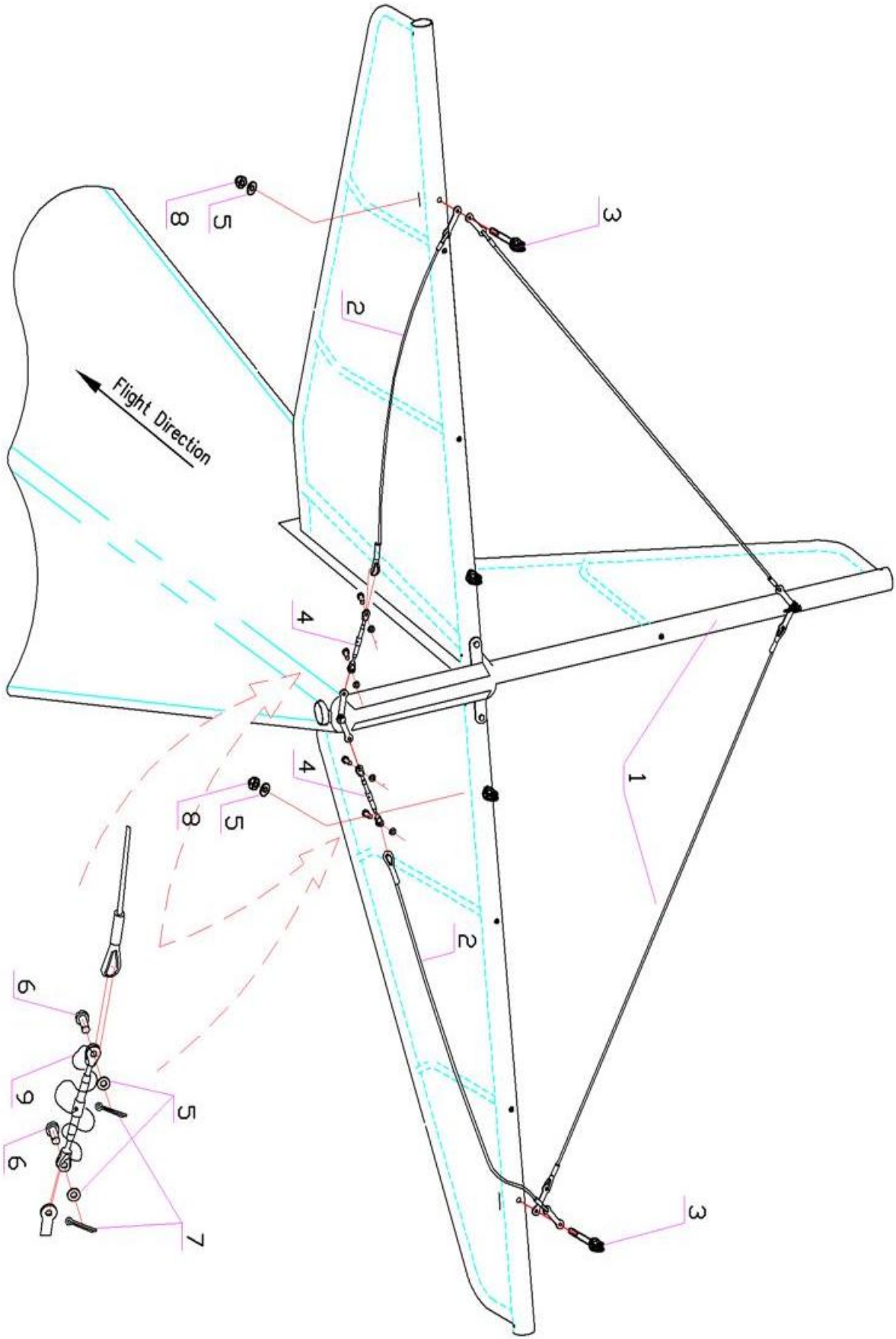


Section 80 Horizontal stabilizer installation

No.	Description	Qty each	Qty Total	Part No:
1	Section 26			
2	Horizontal stabilizer bottom cable	2	2	CH-00-02200
3	M6 eye bolt	2	2	CH-00-31001
4	Turnbuckle	2	2	CH-00-12260
5	M6 Flat washer	4	4	
6	M6 x 15 Clevis pin	4	4	
7	Split pin di 2.0 x 20	4	4	CH-00-20001
8	M6 nylock nut	2	2	
9	Safety wire di 0.9 x 400	2	2	



80_1 Horizontal stabilizer installation



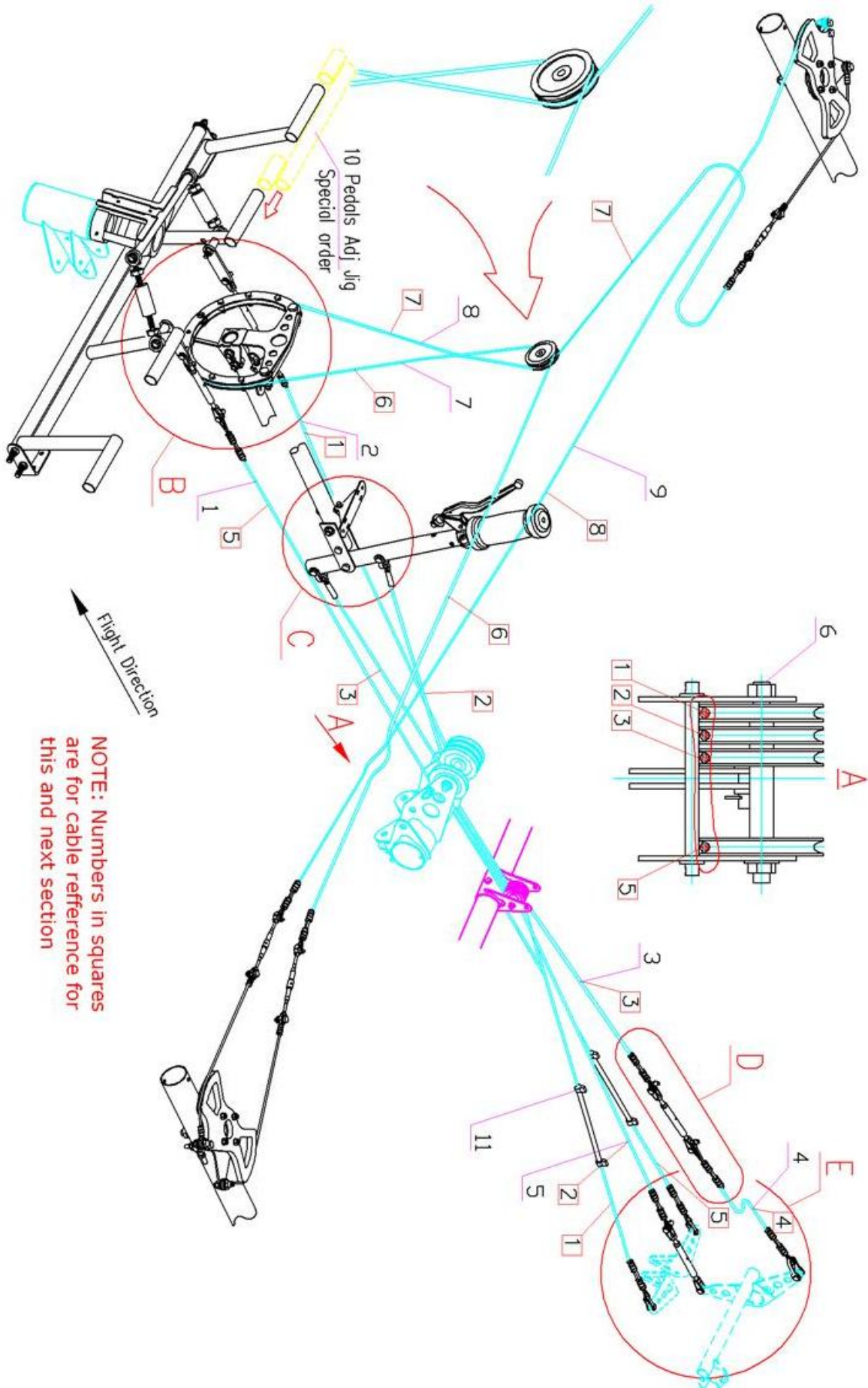


Section 81 Control system cables installation

No.	Description	Qty each	Qty Total	Part No:
1	Rudder cable (left)	1	1	CH-00-61240
2	Rudder cable (right)	1	1	CH-00-61230
3	Elevator bottom cable	1	1	CH-00-61250
4	Elevator back top cable	1	1	CH-00-61240
5	Elevator top cable	1	1	CH-00-61230
6	Section 5			
7	Section 63 n 9	1	1	
8	Section 63 n 25	1	1	
9	Section 63 n 10	1	1	
10	Pedals adjustment jig (not supplied with std kit)	1	1	
11	Tie wrap 200 x 4.7	4	4	



81_1 Control system cables installation



NOTE: Numbers in squares are for cable reference for this and next section

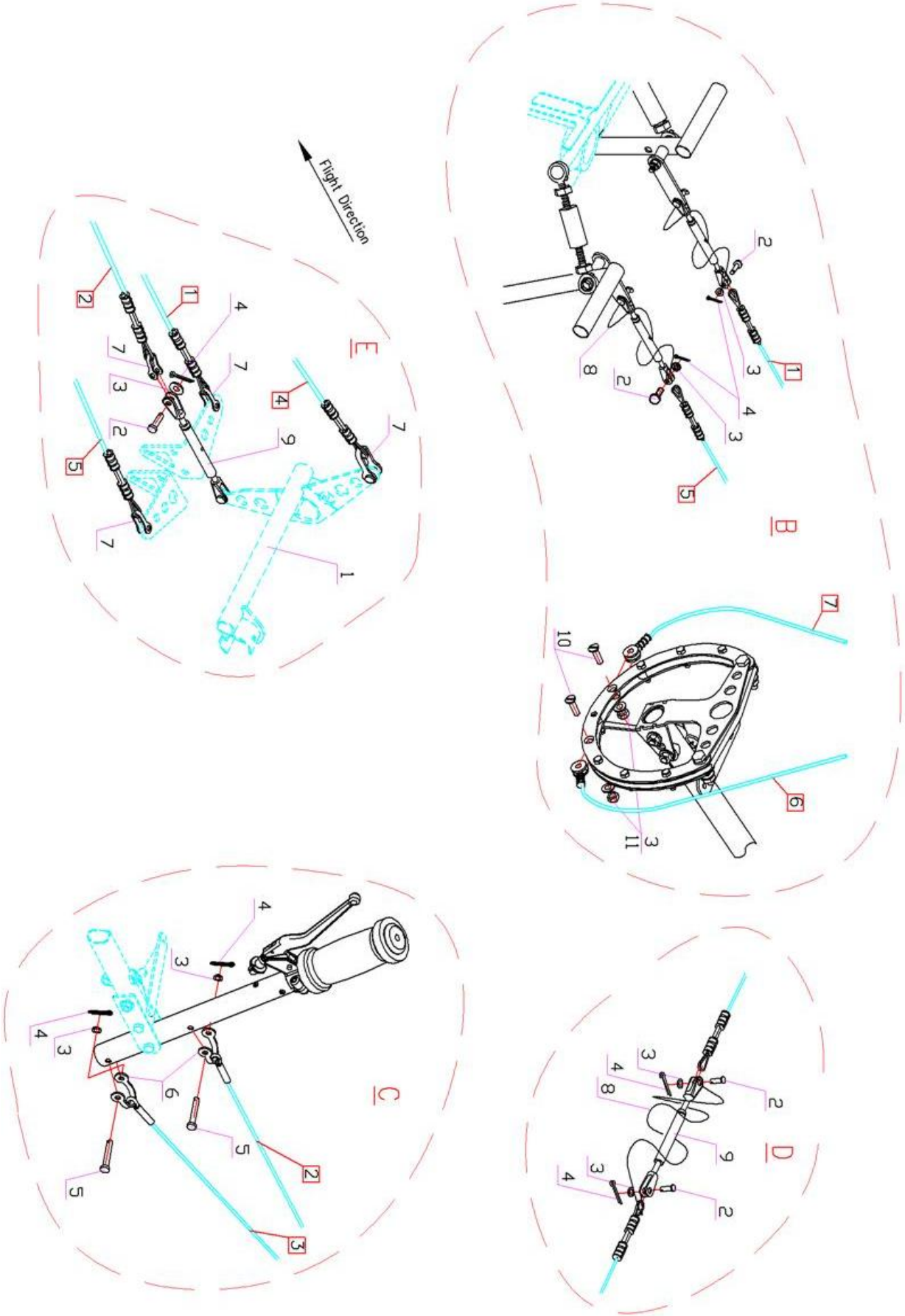


Section 82 Control system cables installation continued

No.	Description	Qty each	Qty Total	Part No:
1	Section 82		1	
2	M6 x 20 clevis pin	5	5	CH-00-20001
3	M6 Flat washer	9	9	
4	Split pin 2.0 x 15	5	5	
5	M6 Pin	2	2	CH-00-61403
6	Section 82 n 3	2	2	
7	Section 82 n 1,2,4,5	4	4	CH-00-20001
8	Safety wire di 0.9 x 800	2	2	
9	Turnbuckle	2	2	CH-00-12260
10	Bolt M6 x 20 - CSK	2	2	
11	M6 nylock nut	2	2	



82_1 Control system cables installation continued



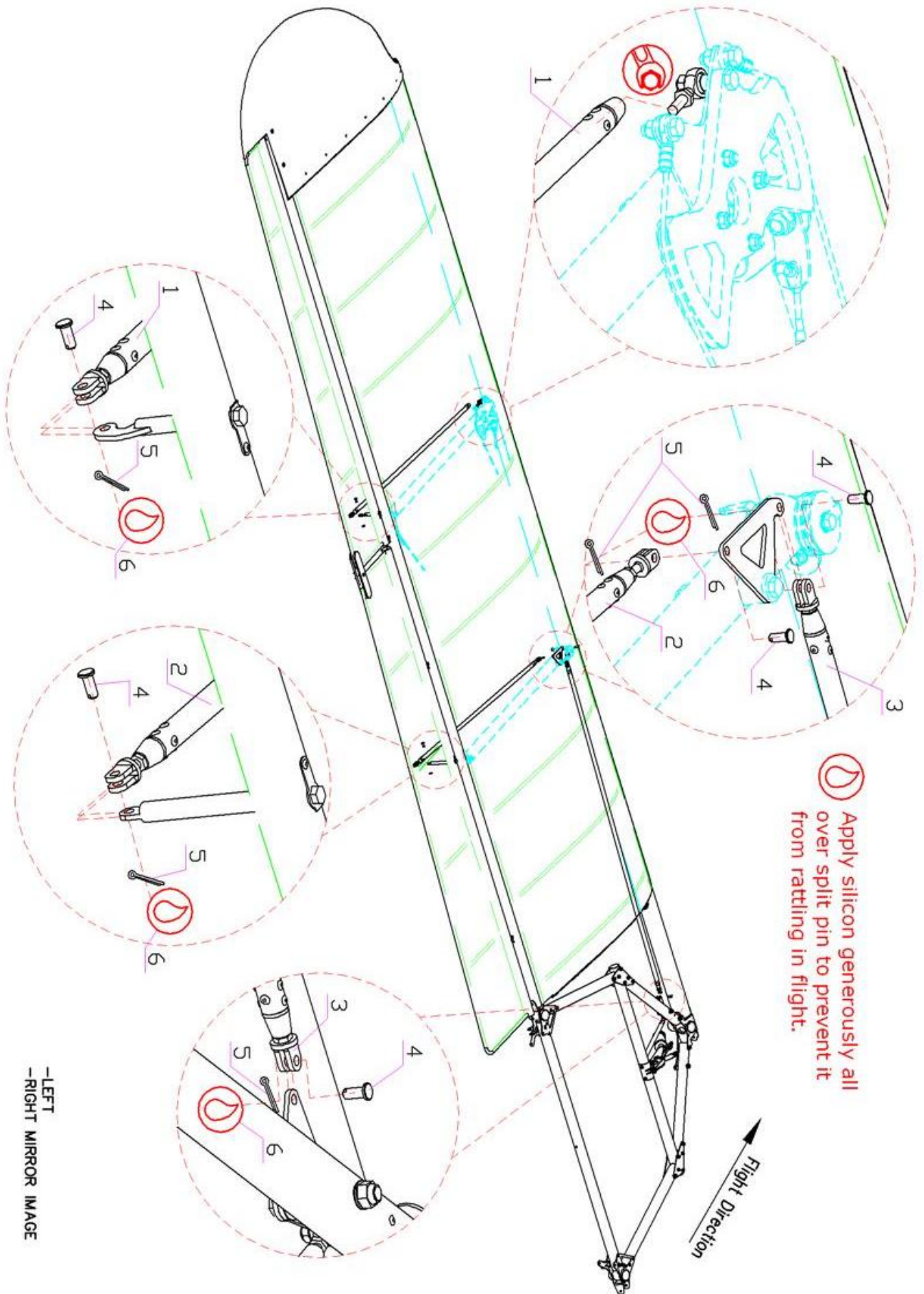


Section 83 Control system push rods installation

No.	Description	Qty each	Qty Total	Part No:
1	Aileron push rod	1	2	CH-00-61130
2	Flap push rod short	1	2	CH-00-61150
3	Flap push rod long	1	2	CH-00-61140
4	M6 x 20 Clevis pin	5	10	CH-00-20001
5	Split pin 2.0 x 20	5	10	
6	Clear silicon (not supplied with kit)			



83_1 Control system push rods installation



Apply silicone generously all over split pin to prevent it from rattling in flight.

-LEFT
-RIGHT MIRROR IMAGE

Flight Direction

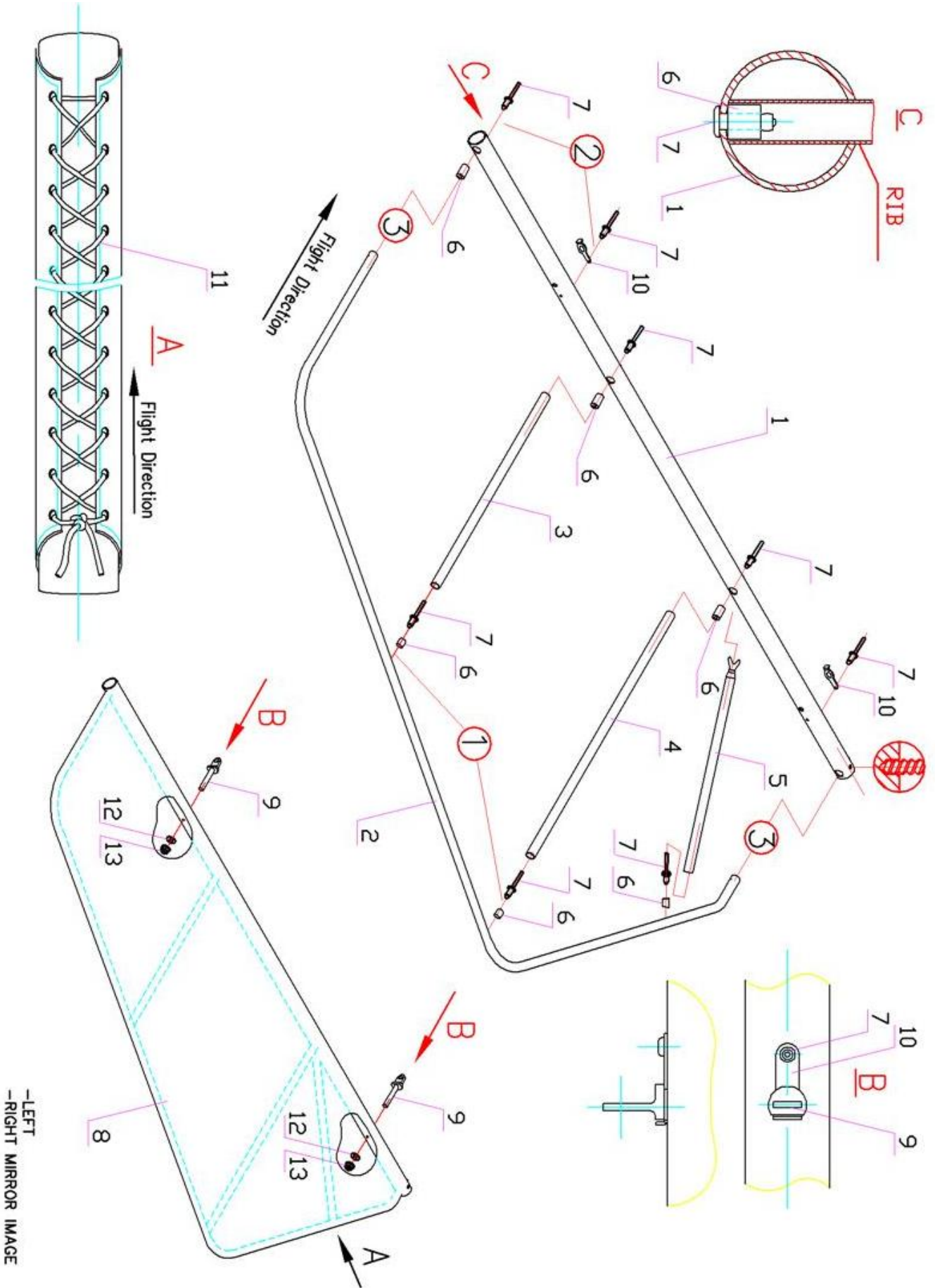


Section 84 Elevator assembly

No.	Description	Qty each	Qty Total	Part No:
1	Elevator Leading edge	1	2	CH-00-34111
2	Elevator Trailing edge	1	2	CH-00-34121
3	Elevator Rib No1	1	2	CH-00-34102
4	Elevator Rib No2	1	2	CH-00-34101
5	Elevator Rib No3	1	2	CH-00-34130
6	Bush	5	10	CH-00-22112
7	Pop rivet 3.2 x 10 St Steel	8	16	
8	Elevator sail	1	2	CH-00-34200
9	M6 Ear bolt (male)	2	4	CH-00-32001
10	Stopper plate	2	4	CH-00-21125
11	Polyester string di 2.0 x 2000	1	2	
12	M6 Flat washer	2	4	
13	M6 Nylock nut	2	4	



84_1 Elevator assembly





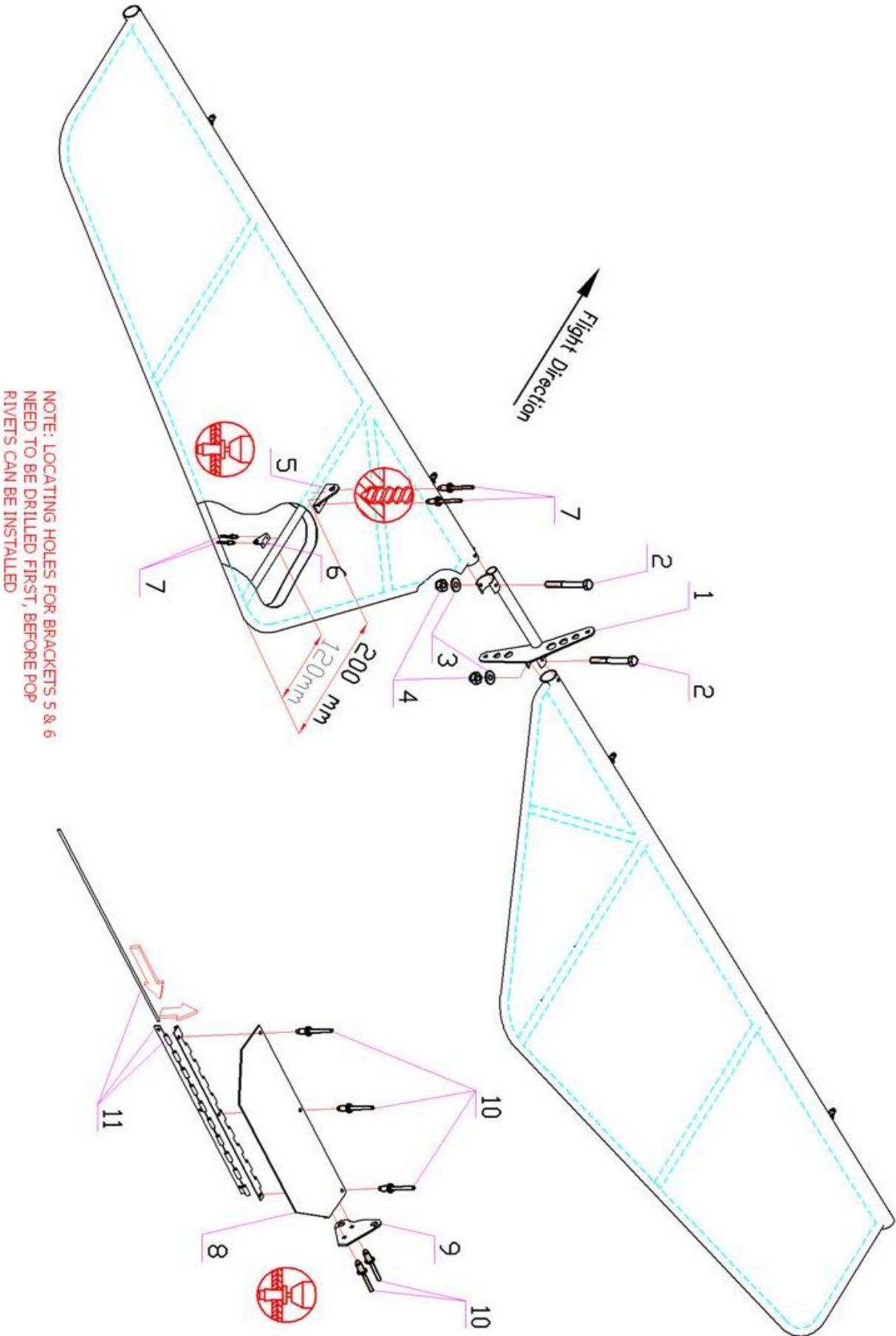
Section 85 Elevator assembly continued

No.	Description	Qty each	Qty Total	Part No:
1	Elevator bracket	1	1	CH-00-61420
2	Bolt M5 x 35	2	2	
3	M5 Flat washer	2	2	
4	M5 Nylock nut	2	2	
5	Elevator trim top bracket	1	1	CH-00-61601
6	Elevator trim top bracket	1	1	CH-00-61602
7	Pop rivet 3.2 x 10 St Steel	4	4	
8	Elevator trim plate	1	1	CH-00-61621
9	Elevator trim bracket	1	1	CH-00-61622
10	Pop rivet 3.2 x 6 St. Steel	5	5	
11	Piano hinge Mild Steel L = 198	1	1	

Note: * = Elevator trim is not supplied with standard kit.
It can be ordered as an upgrade item.



85_1 Elevator assembly continued



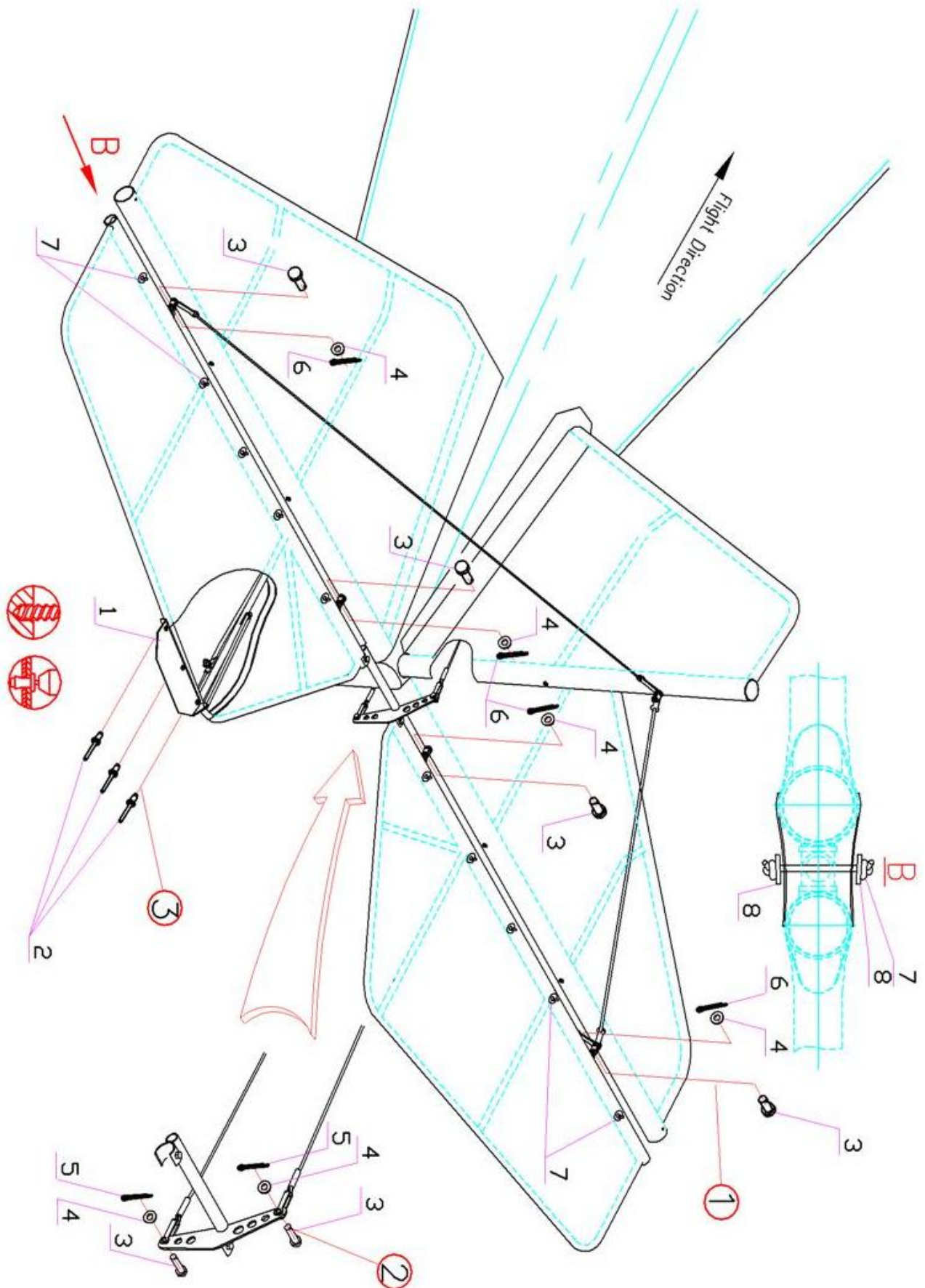


Section 86 Elevator installation

No.	Description	Qty each	Qty Total	Part No:
1	Section 86	1	1	
2	Pop rivet 3.2 x 6 St. Steel	2	2	
3	M6 x 15 clevis pin	2	2	CH-00-20001
4	M6 Flat washer	2	2	
5	Split pin di 2.0 x 20	1	1	
6	Split pin di 2.0 x 50	1	1	
7	Bungee cord di 2.5 x 80	4	4	
8	M4 Flat washer	1	1	



86_1 Elevator installation



**Section 87 Elevator trim installation**

No.	Description	Qty each	Qty Total	Part No:
1	Section 54		1	
2	Outer cable di 5.0 x 2.5 x 4380	1	1	CH-00-61603
3	Tie wrap 4.7 x 200	5	5	
4	Cable di 1.5 x 4800.0 St Steel	1	1	CH-00-61610
5	Bungee cord di 5.0 x 320	1	1	CH-00-61631
6	Heat shrink di 6.0 x 60	2	2	CH-00-61632
7	Safety wire di 0.7 x 50	1	1	CH-00-61633
8	Heat shrink di 6.0 x 20	1	1	CH-00-61634
9	Cable regulator bolt & nut	1	1	CH-00-42115/6
10	Adjuster eye bolt	1	1	
11	M7 Special Washer	3	3	CH-00-00035
12	M6 Nylock nut	1	1	
13	crimp Ferrule di 1.5	1	1	CH-00-62210-22
14	Heat shrink (clear) di 3.2 x 20.0	2	2	
15	Outer case cap	2	2	



87_2 Elevator trim installation



When installing the trim control cable it is critical that the cable runs from the front down towards the rear of the plane.



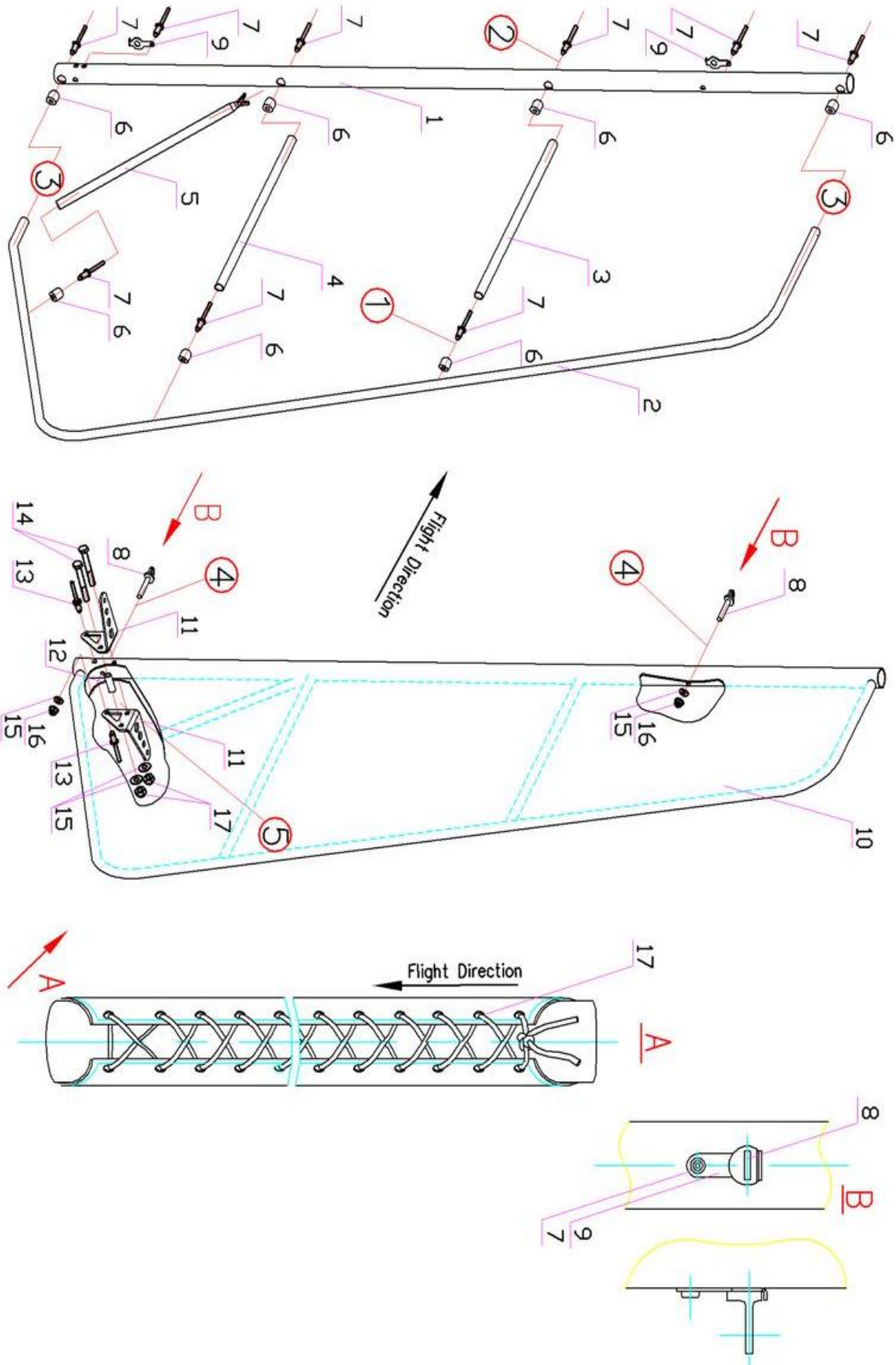
The cable should run like the arrow indicated in this picture.

**Section 88 Rudder assembly**

No.	Description	Qty each	Qty Total	Part No:
1	Rudder Leading edge	1	1	CH-00-32131
2	Rudder Trailing edge	1	1	CH-00-32121
3	Rudder Rib No1	1	1	CH-00-32102
4	Rudder Rib No2	1	1	CH-00-32101
5	Rudder Rib No3	1	1	CH-00-32130
6	Bush	7	7	CH-00-22112
7	Pop rivet 3.2 x 10 St Steel	9	9	
8	M6 Ear bolt (male)	2	2	CH-00-32001
9	Stopper plate	2	2	CH-00-21125
10	Rudder sail	1	1	CH-00-32200
11	Rudder push lever bracket	2	2	CH-00-61302
12	Spacer bush	1	1	CH-00-61222
13	Pop rivet 4.8 x 10 St Steel	2	2	
14	Bolt M6 x 40	2	2	
15	M6 Flat washer	4	4	
16	M6 Nylock nut	4	4	
17	Polyester string di 2.0 x 2100	1	1	



88_1 Rudder assembly



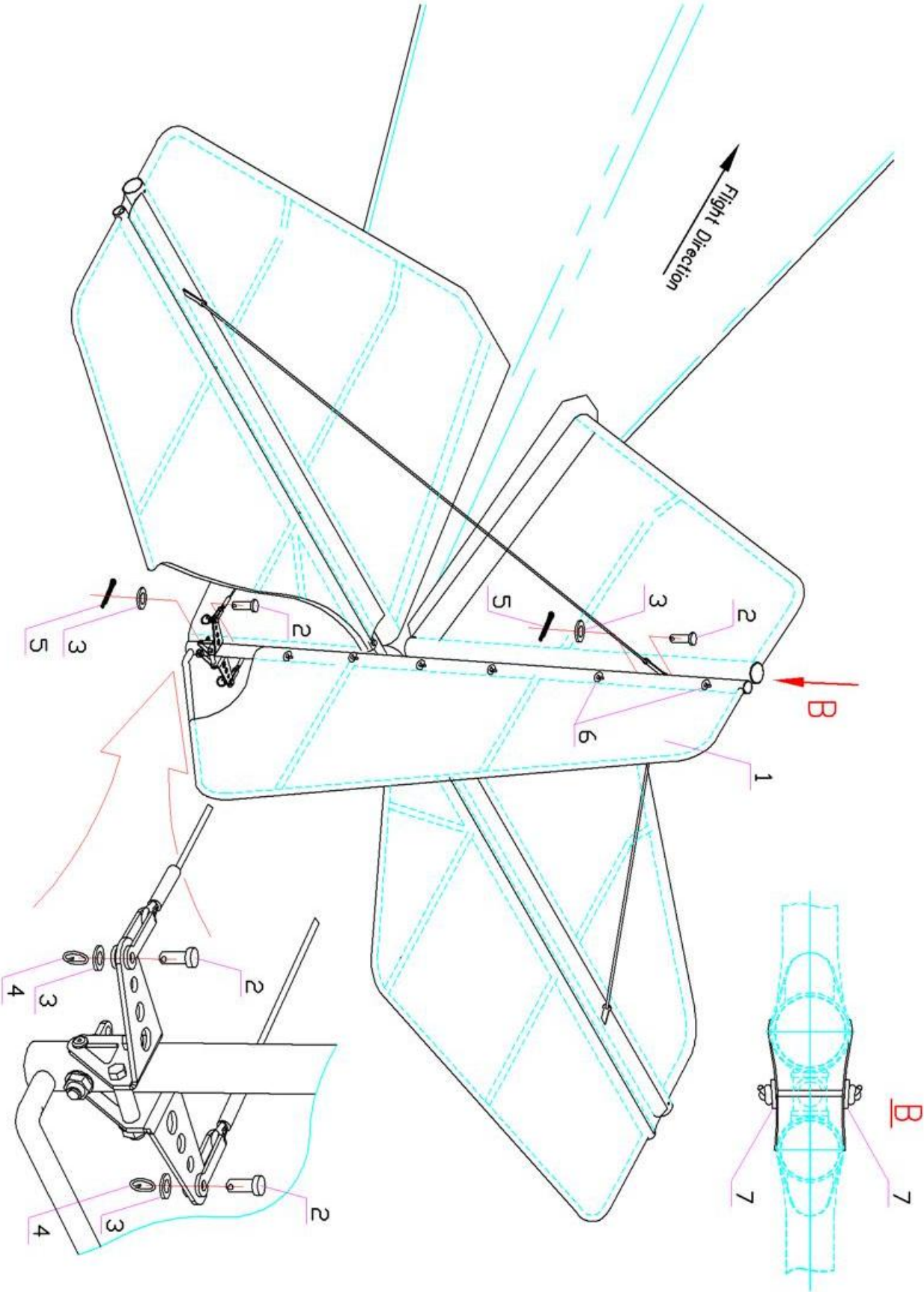


Section 89 Rudder installation

No.	Description	Qty each	Qty Total	Part No:
1	Section 89	1	1	
2	M6 x 15 clevis pin	4	4	CH-00-20001
3	M6 Flat washer	4	4	
4	Split pin di 2.0 x 20	2	2	
5	Split pin di 2.0 x 50	2	2	
6	Bungy cord di 2.5 x 80.0	6	6	
7	M4 Flat washer	12	12	



89_1 Rudder installation



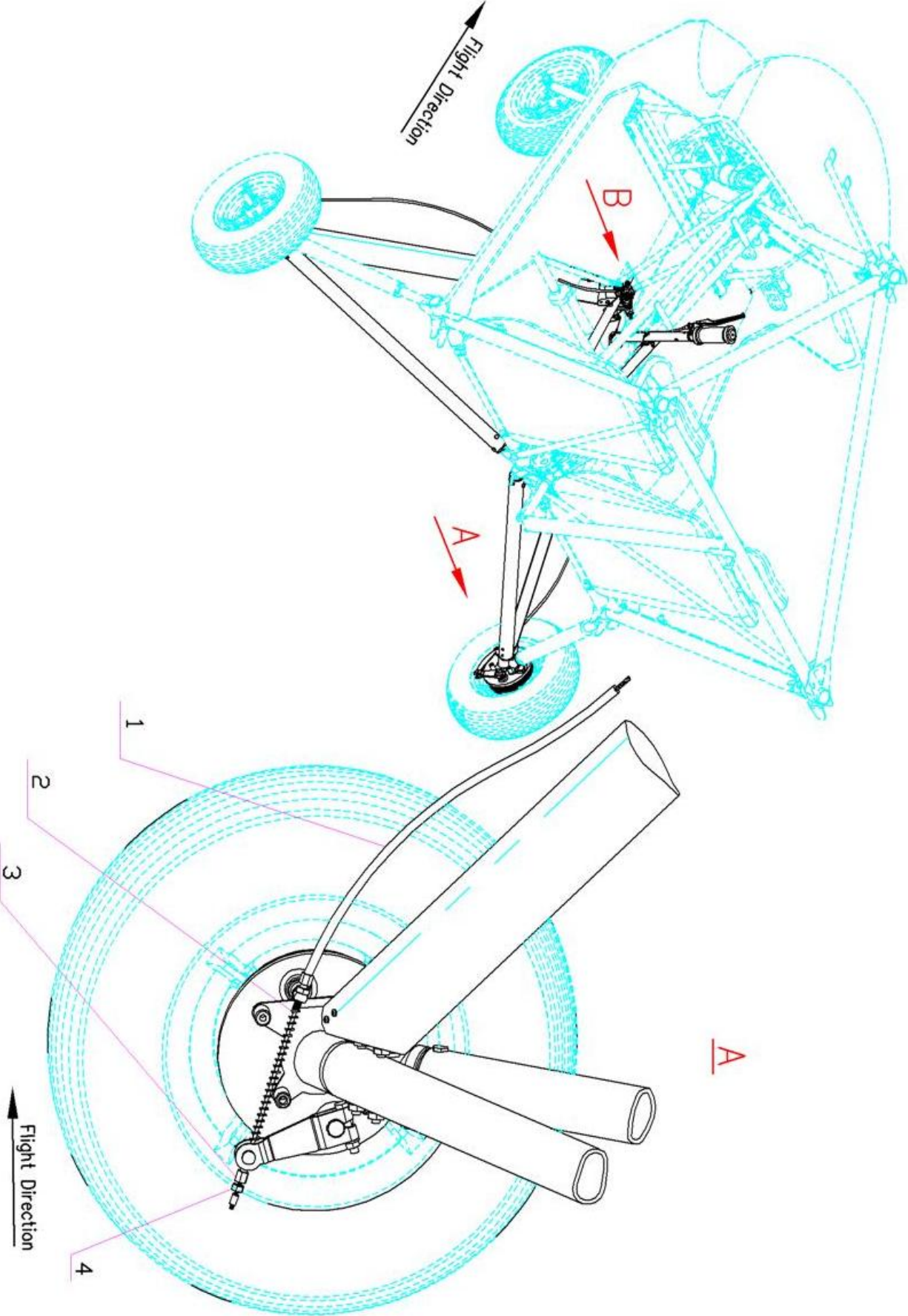


Section 90 Brake cable installation

No.	Description	Qty each	Qty Total	Part No:
1	Brake cable assembly	1	1	CH-00-61510
2	Spring	1	2	CH-00-00023
3	Cable regulator bolt M6	1	2	CH-00-42115
4	Regulator Nut M6	1	2	CH-00-42116



90_1 Brake cable installation



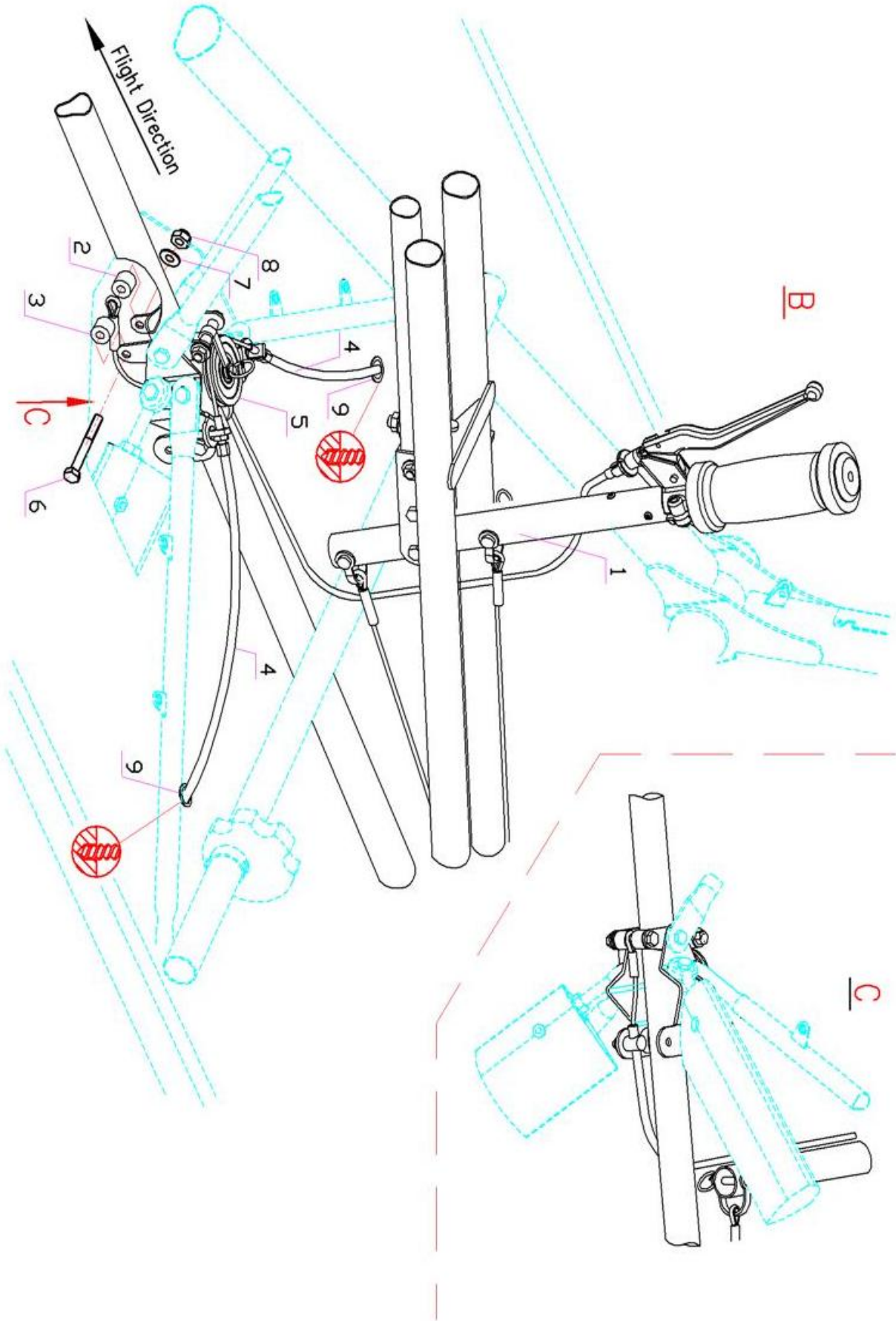


Section 91 Brake cable installation

No.	Description	Qty each	Qty Total	Part No:
1	Section 34			
2	Spacer bush	1	1	CH-00-61504
3	Spacer bush	1	1	CH-00-61505
4	Section 91			
5	Section 7			
6	Bolt M6 x 40	1	1	
7	M6 Nylock nut	1	1	
8	M6 Nylock nut	1	1	
9	Grommet di. 18.0 x 7.0	2	2	



91_1 Brake cable installation



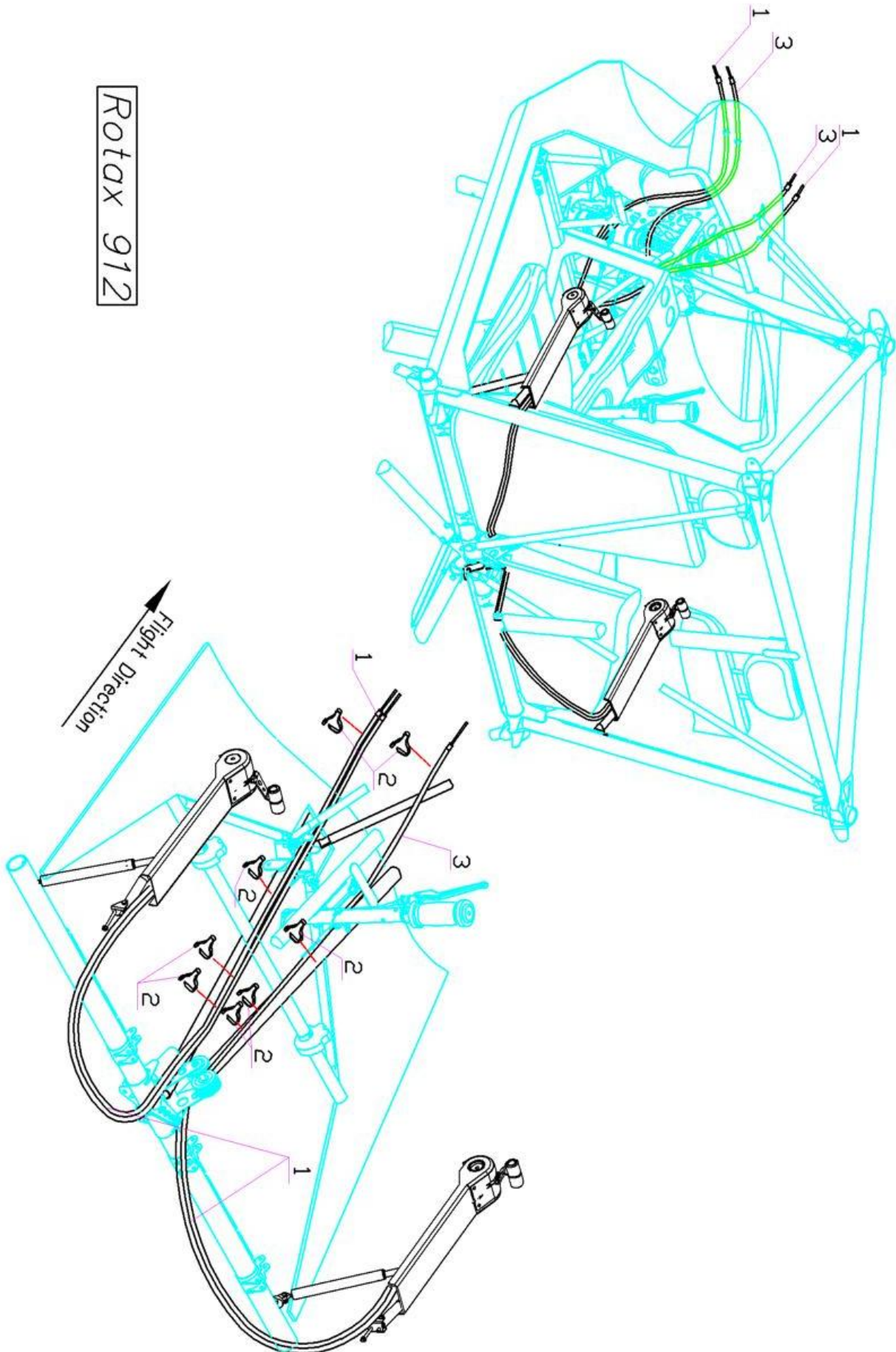


Section 92 Throttle cable & choke installation

No.	Description	Qty each	Qty Total	Part No:
1	Throttle cable assembly (section 57)			
2	Tie Wrap 305 x 4.7 Large	8	8	
3	Choke cable assembly	1	1	CH-00-62330



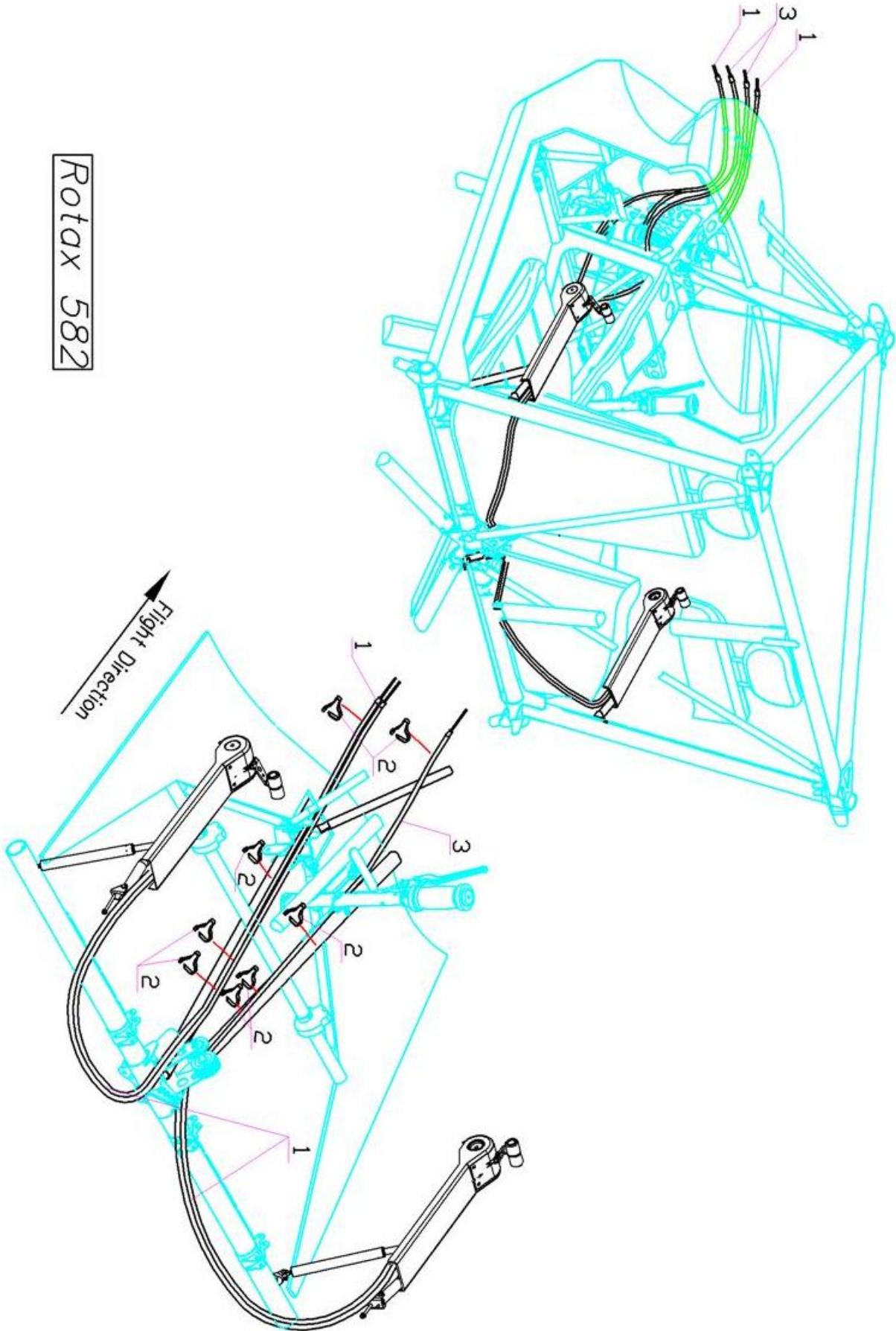
92_1 Throttle cable & choke installation





92_2 Throttle cable & choke installation

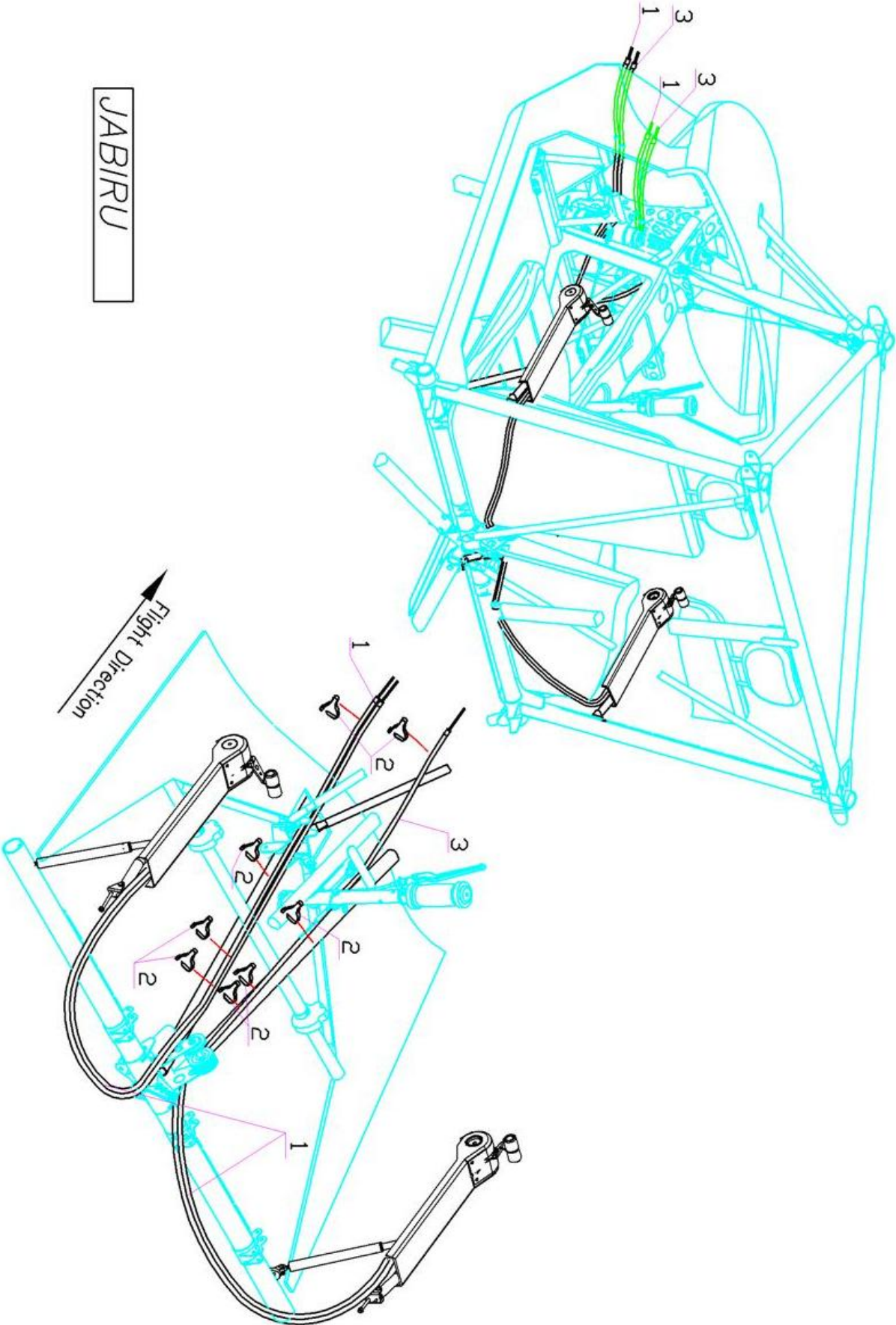
Rotax 582





92_3 Throttle cable & choke installation

JABIRU

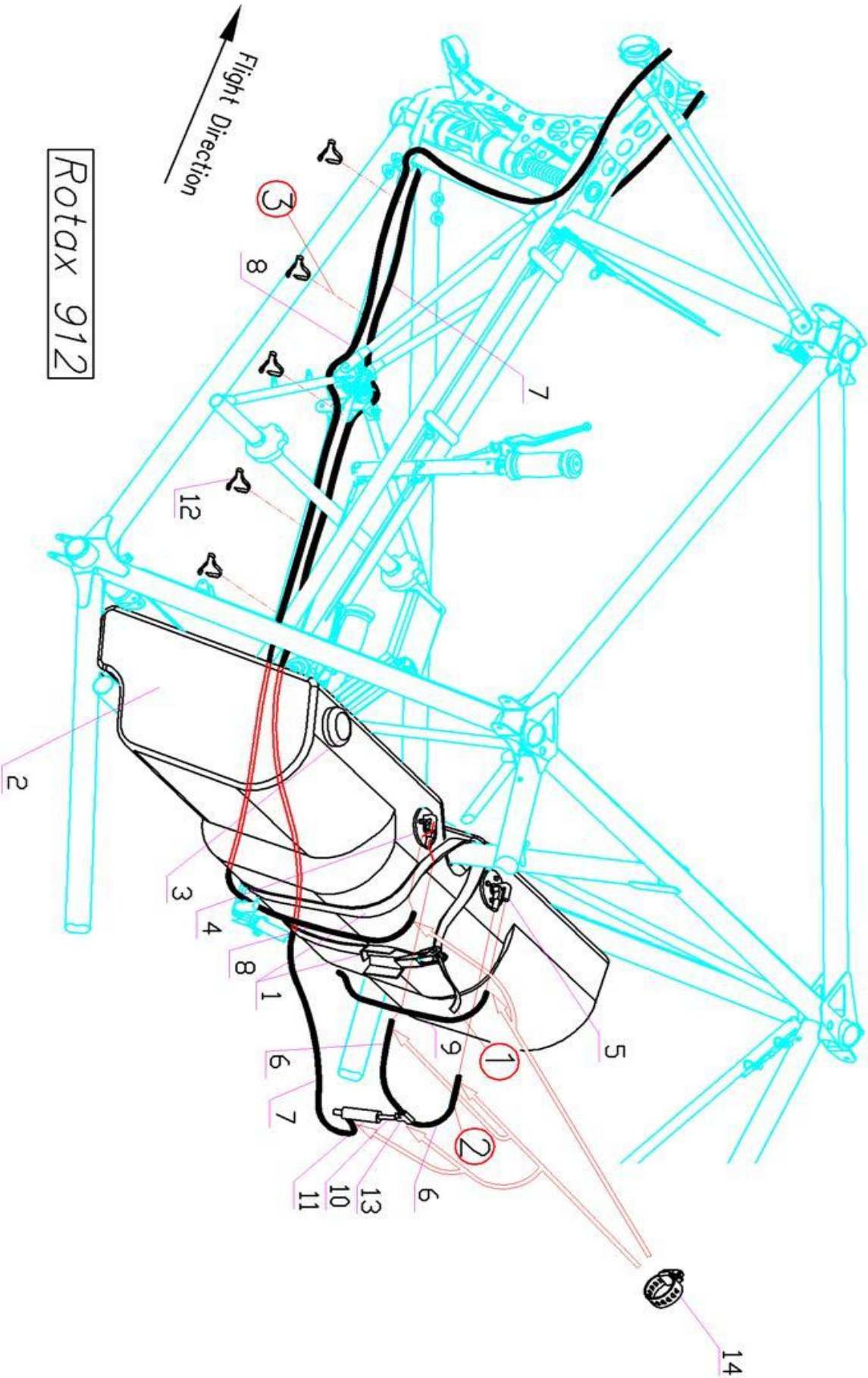


**Section 93 Fuel line installation**

No.	Description	Qty each	Qty Total	Part No:
1	Section 16		1	
2	Fuel tank	1	1	CH-00-64203
3	Filler cap	1	1	CH-00-64220-02
4	Fuel intake line (Right)	1	1	CH-00-64220-01
5	Fuel intake line (Left)	1	1	CH-00-64202-06
6	Fuel tube L = 200.0	2	2	CH-00-64202
7	Fuel pick-up pipe L = 3400	1	1	CH-00-64202
8	Fuel return pipe L = 3400	1	1	CH-00-64203
9	Drain tube PVCdi.6.0 x 1500	1	1	CH-00-64202-05
10	Fuel tube L = 100	1	1	
11	Fuel filter	1	1	
12	Tie Wrap 200 x 4.7	11	11	
13	T-piece	1	1	CH-00-642310
14	Adjuster pipe clamp	10	10	

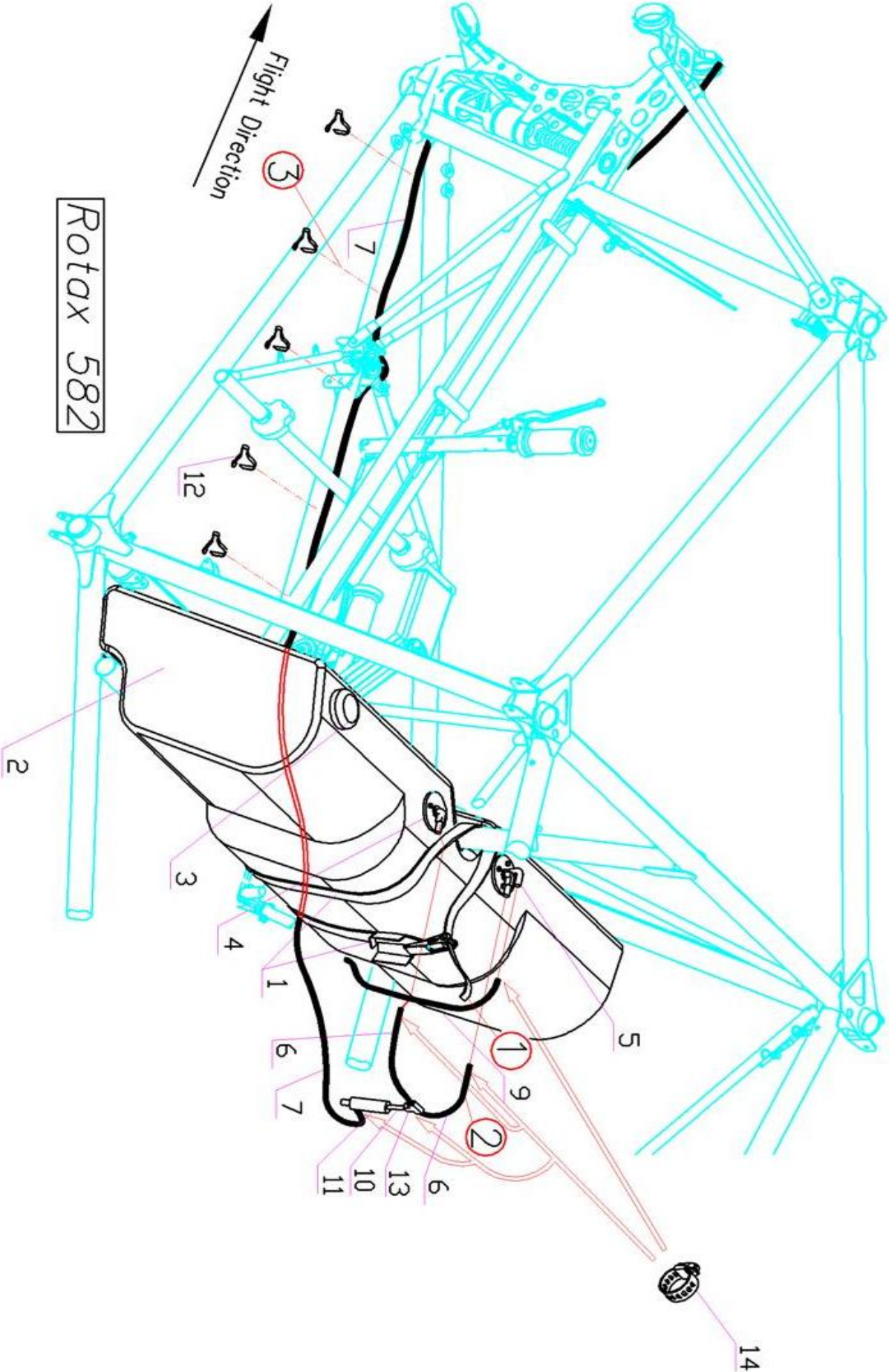


93_1 Fuel line installation



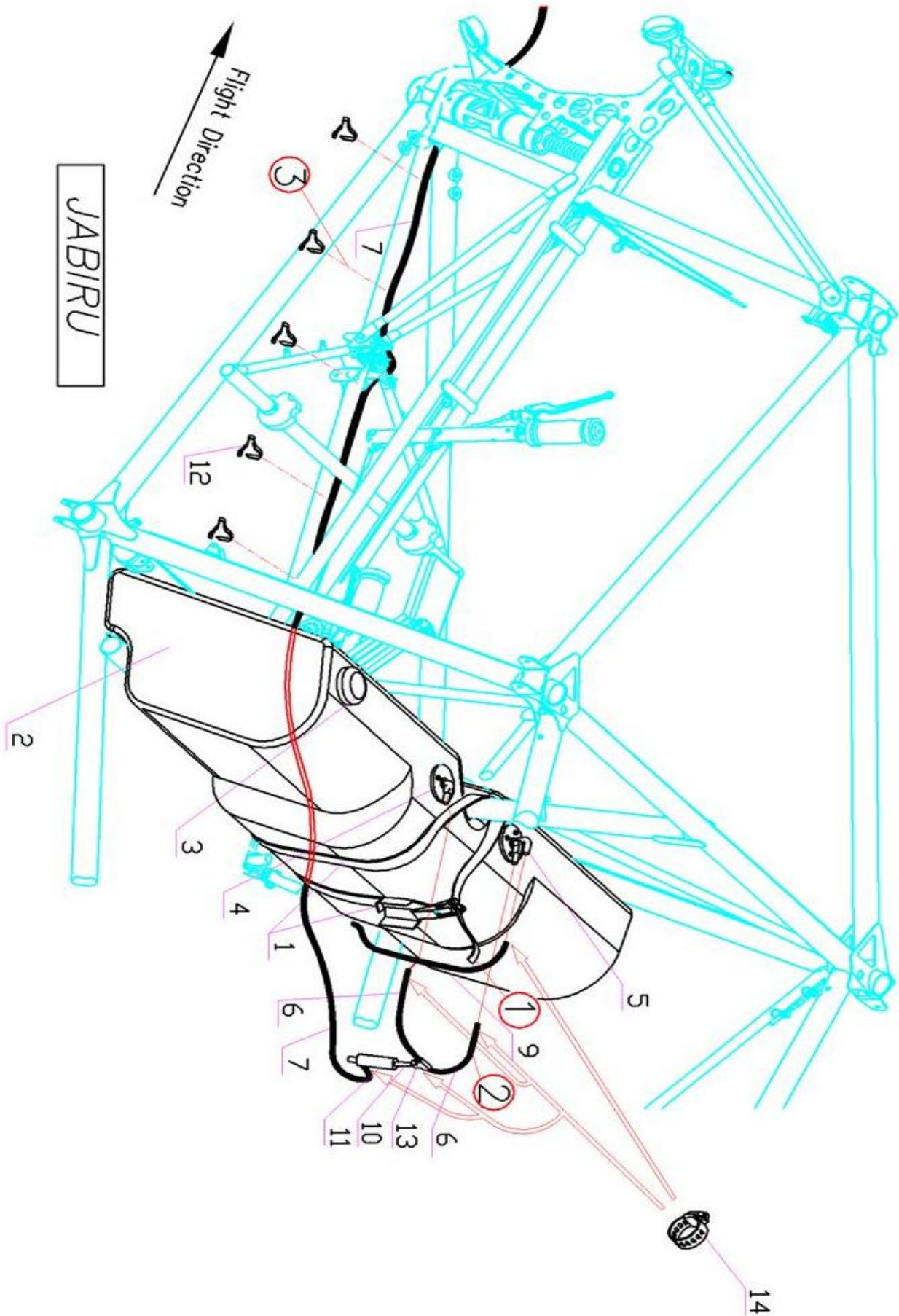


93_2 Fuel line installation





93_3 Fuel line installation



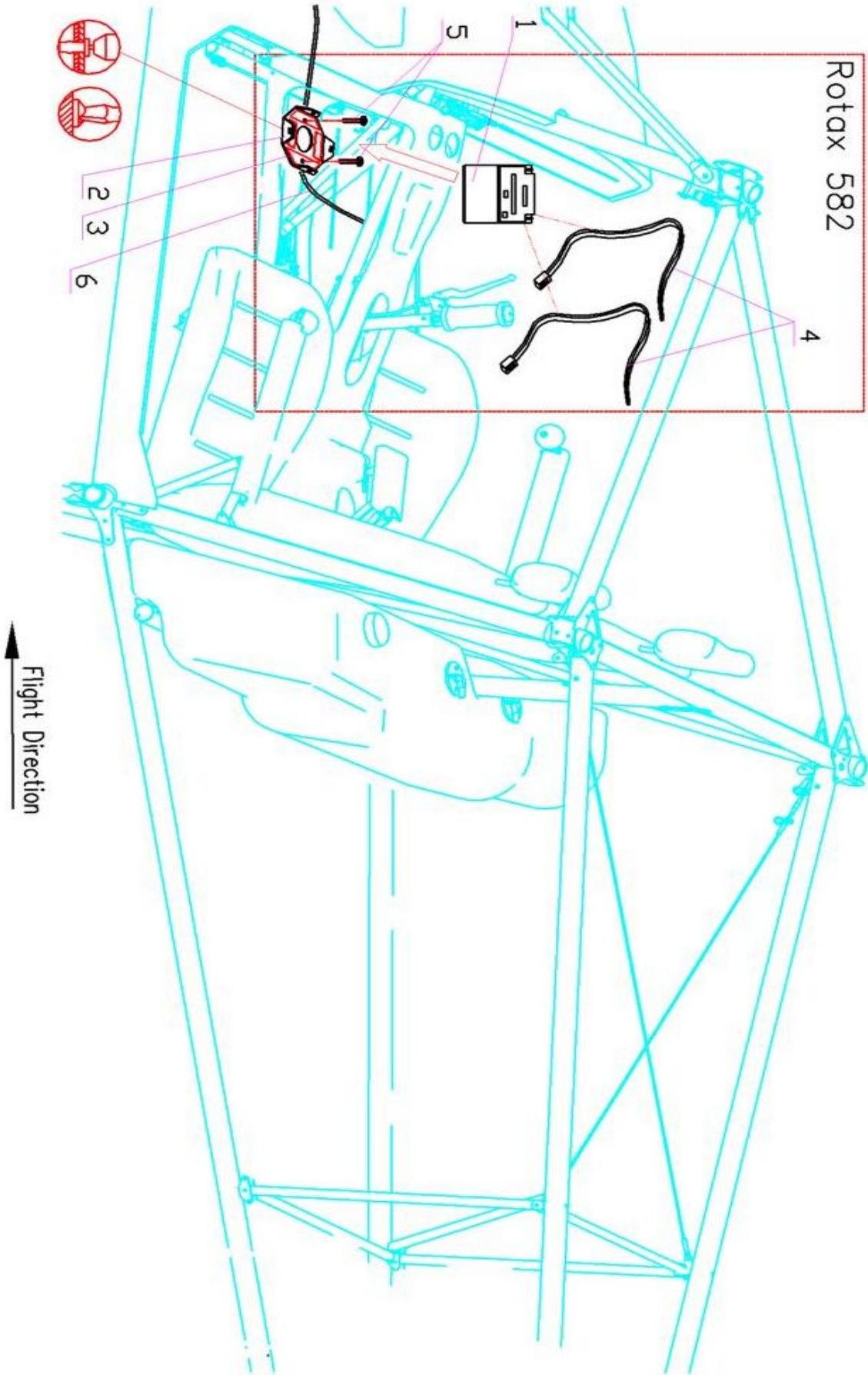


Section 94 Battery installation (R582)

No.	Description	Qty each	Qty Total	Part No:
1	Battery 12V 12Amp for R582	1		
2	Bracket for battery	1	1	CH-00-03101
3	Self adhesive Strip L=500mm	1	1	
4	Tie Wrap X Large 390 x 7,8	2	2	
5	Machine Screws M4 x 16	2	2	
6	8.0mm electrical Cable	1	1	



94_1 Battery installation (R582)

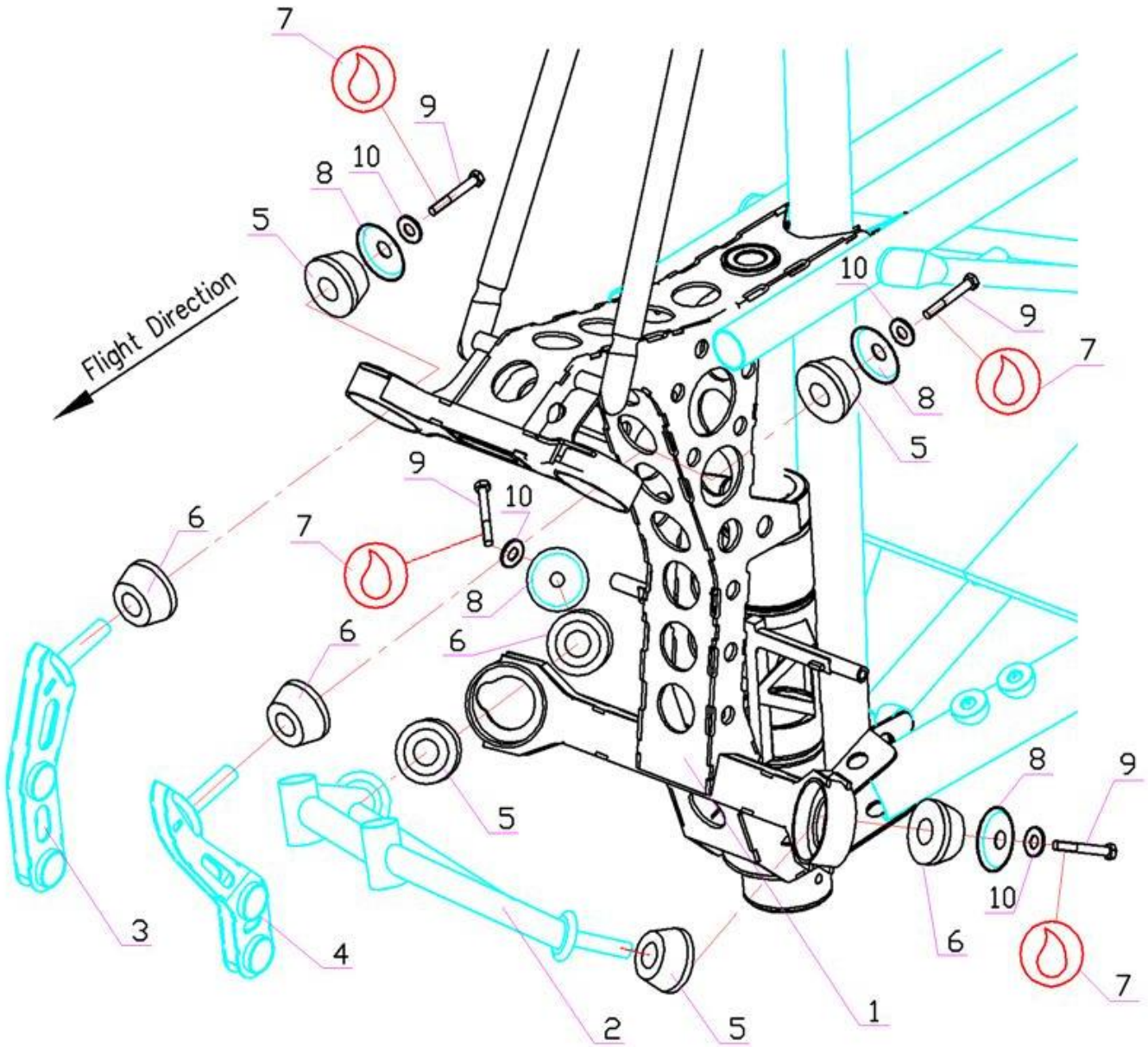


**Section 95 Rotax installation (R582)**

No.	Description	Qty each	Qty Total	Part No:
1	Section 8			
2	Bracket Bottom Engine mounting R582	1	1	CH-00-13230
3	Right Engine mounting Bracket R582	1	1	CH-00-13210
4	Left Engine mounting Bracket R582	1	1	CH-00-13220
5	Engine mounting Rubber (medium-60 SHORE)	4	4	CH-00-13202
6	Engine mounting Rubber (Soft-55SHORE)	4	4	CH-00-13203
7	Loctite N243 Thread locker			
8	Bowl Plate	4	4	CH-00-13201
9	Bolt M10 x 3 0	4	4	
10	Penny Washer di. 10 x 35	16	16	
11	Rubber Bush (short)	8	8	
12	Bush	4	4	CH-00-13204
13	Special bolts M8 x 50	3	3	CH-00-13206
14	Special bolts M8 x 50	1	1	
15	Loctite 222			
16	Double Exhaust Holder	1	1	
17	Single Exhaust Holder	1	1	
18	Clamp	2	2	
19	Exhaust mounting Rubber	3	3	
20	Rubber Bush (long)	4	4	
21	Bush	2	2	
22	Special bolts M10 x 60	2	2	
23	Bolts M6 x 45	4	4	
24	M8 Nylock nut	6	6	
25	Washer M8	6	6	
26	M6 Nylock nut	6	6	
27	Washer M6	6	6	
28	Bracket	1	1	
29	M6 rubber mounting	2	2	



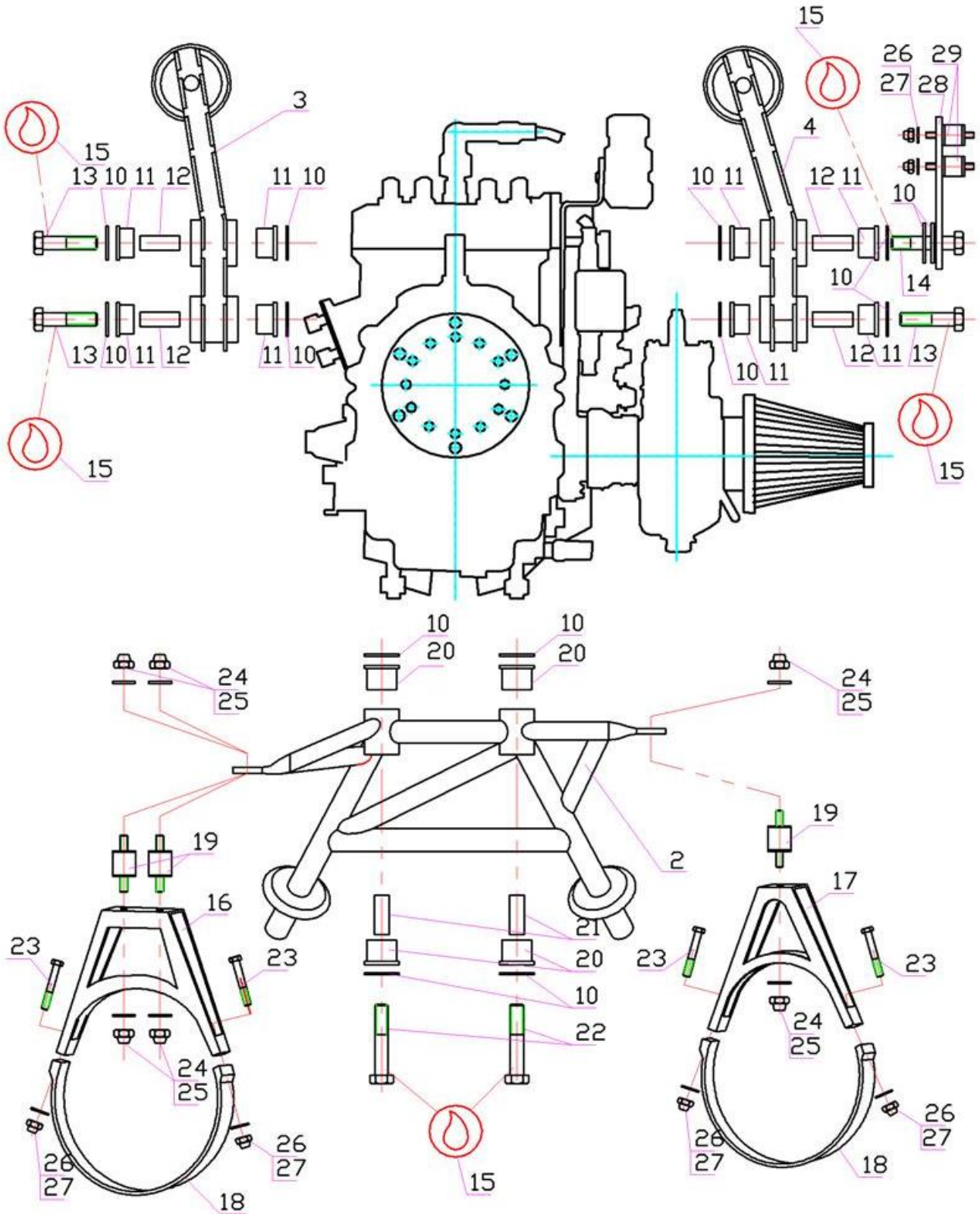
95_1 Rotax 582 installation



Rotax 582



95_2 Rotax 582 installation



Rotax 582



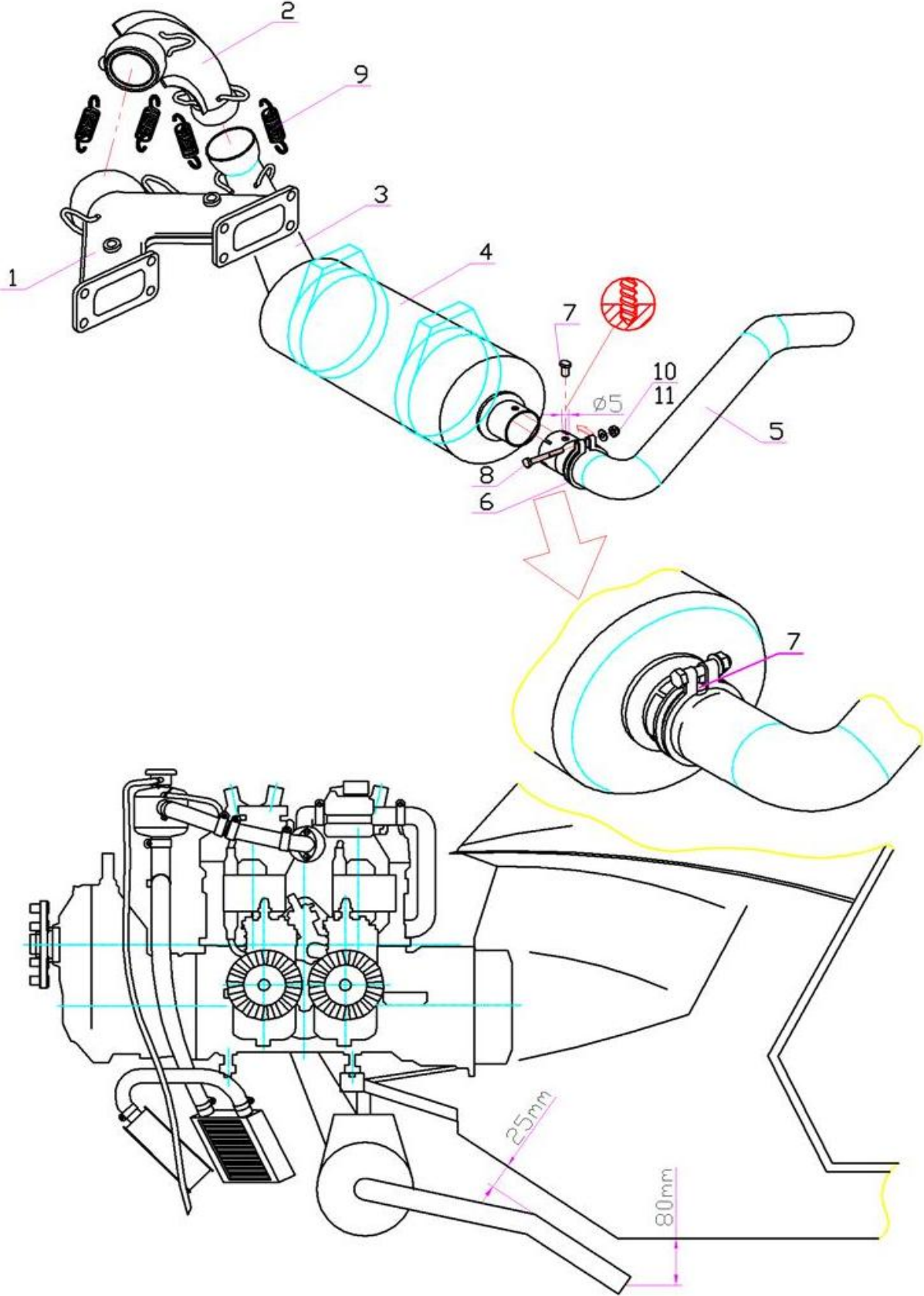
Section 96 Rotax 582 exhaust installation

No.	Description	Qty each	Qty Total	Part No:
1	Exhaust manifold	1	1	
2	Exhaust elbow	1	1	
3	Main muffler	1	1	
4	Main muffler	1	1	
5	Exhaust outlet extension	1	1	
6	Clamp	1	1	
7	Locating pin	1	1	
8	Bolt M6x40	1	1	
9	Exhaust Spring	6	6	
10	Washer M6	1	1	
11	Nut M6	1	1	

Note: Unless specifically ordered with the kit, exhaust and exhaust components bought from another source/supplier may vary in appearance to the ones shown here.
Please consult engine installation manual before proceeding with installation.



96_1 Rotax 582 exhaust installation



Rotax 582



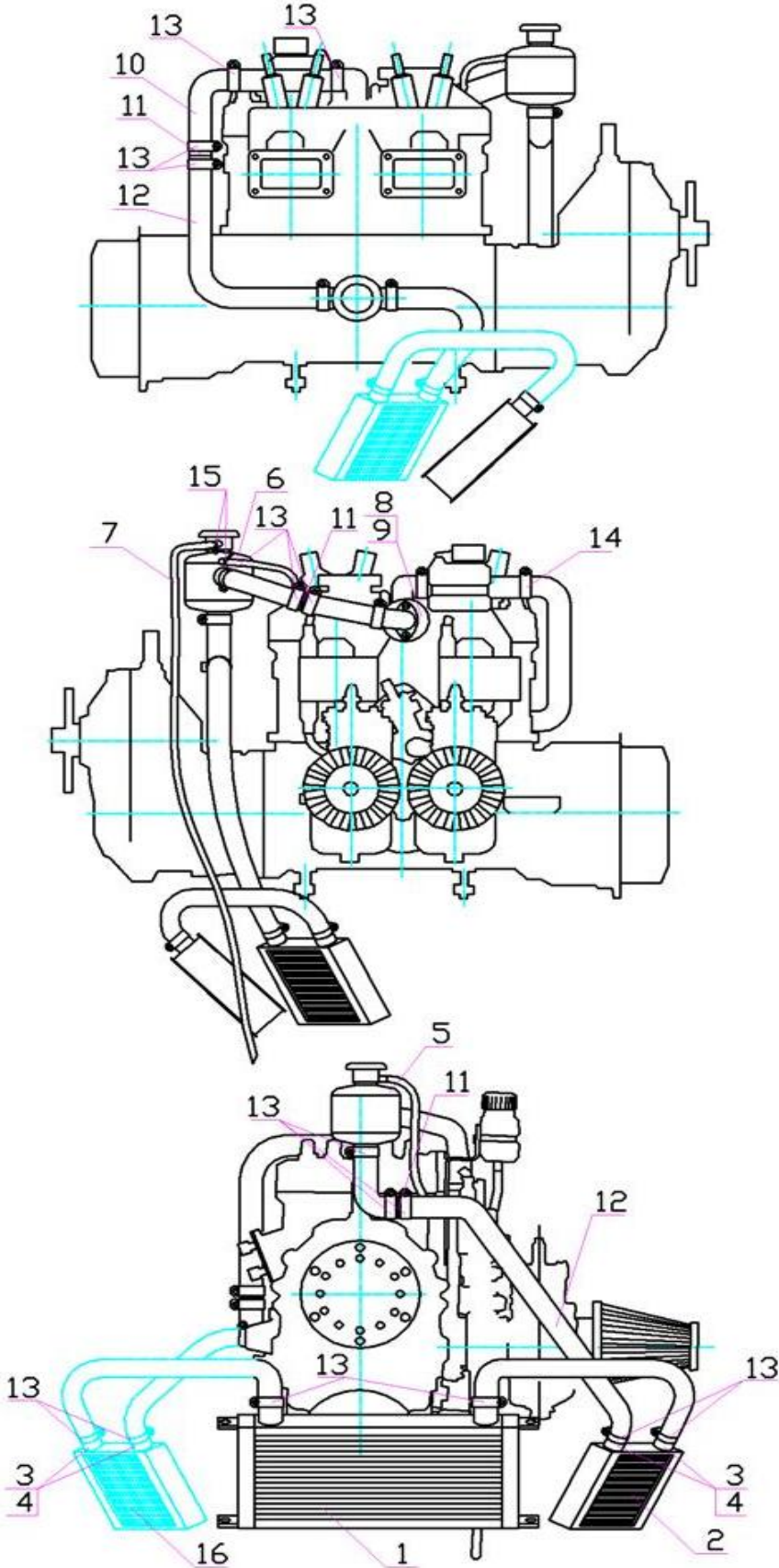
Section 97 Rotax 582 cooling system installation

No.	Description	Qty each	Qty Total	Part No:
1	Radiator	1	1	
2	Small Radiator	1	1	
3	Radiator joining sleeve	4	4	
4	Rubber Ring di 20 x 3.5	4	4	
5	Expansion tank	1	1	
6	Carb. Heat Hose - 500mm	1	1	
7	Hose PHV thin 6 x 1000mm	1	1	
8	Interchange Ring	1	1	
9	Rubber Ring di. 32 x 3	1	1	
10	Connector Tube	3	3	
11	Small transitioner	3	3	
12	Rubber Hose	2	2	
13	Adjusting pipe clamp 10/16	2	2	
14	Adjusting pipe clamp 20/32	22	22	
15	Tie Wrap Small 104 x 2.5mm	2	2	
16	Additional small radiator (special order)	1	1	

Note: Cheetah radiator kit is supplied on special request and does not form part of standard equipment supplied with Cheetah airframe kit.
 Unless specifically ordered with the kit, radiators bought from other suppliers may vary in appearance and may have different installation requirements.
 We recommend using Cheetah water cooling system, as it was specifically designed for use on the Cheetah.
 Item №16 "Additional small radiator" is supplied on special request, only for aircraft



97_1 Rotax 582 cooling system installation



Cooling system
Rotax 582



Section 98 Engine mounting

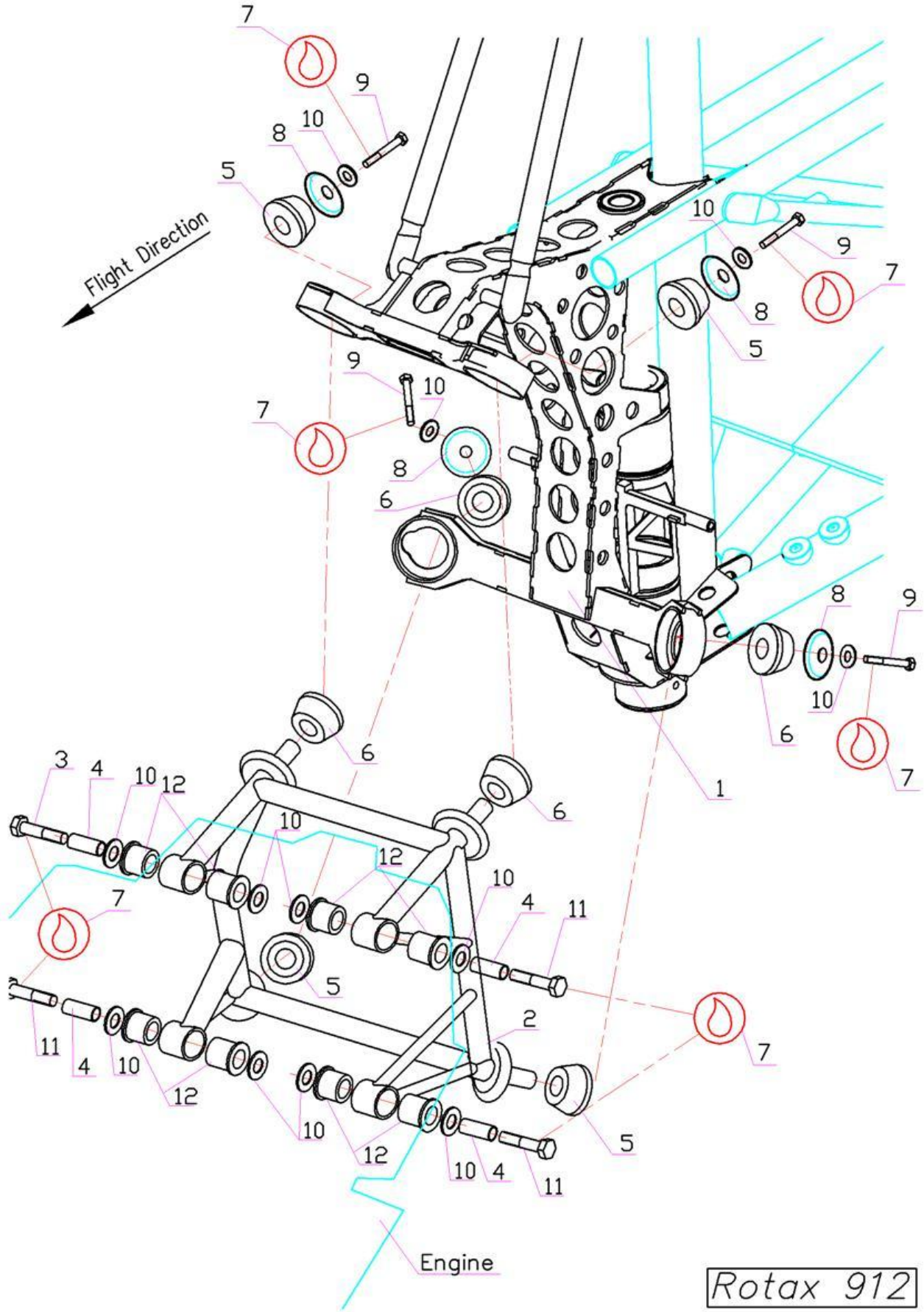
No.	Description - <u>ROTAX 912</u>	Qty each	Qty Total	Part No:
1	Section 8			
2	R912 engine mounting adaptor	1	1	CH-00-13400
3	Bolt M10 x 150 (115) Allen key	1	1	
4	Bush	4	4	CH-00-13204
5	Rubber mounting (medium-60 SHORE)	4	4	CH-00-13202
6	Rubber mounting (soft-55 SHORE)	4	4	CH-00-13202
7	Loctite N243 Thread Locker			
8	Bowl washer	4	4	CH-00-13201
9	Bolt M10 x 30	4	4	
10	Penny Washer 10 x 25	8	8	
11	Bolt M10 x 55 Allen key	3	3	
12	Rubber Bush 40	8	8	CH-00-13203
13	M10 x 35 washer	4	4	

No.	Description - <u>JABIRU</u>	Qty each	Qty Total	Part No:
1	Engine mounting	1	1	CH-00-12710
2	Mounting rubber 1	4	4	
3	Jabiru engine	1	1	
4	Mounting rubber 2	4	4	CH-00-13204
5	Bowl washer	4	4	CH-00-13201
6	M8 washer	4	4	CH-00-13202
7	Bolt m8 x 40	4	4	

Note : For more information on engines see manufactures instructions

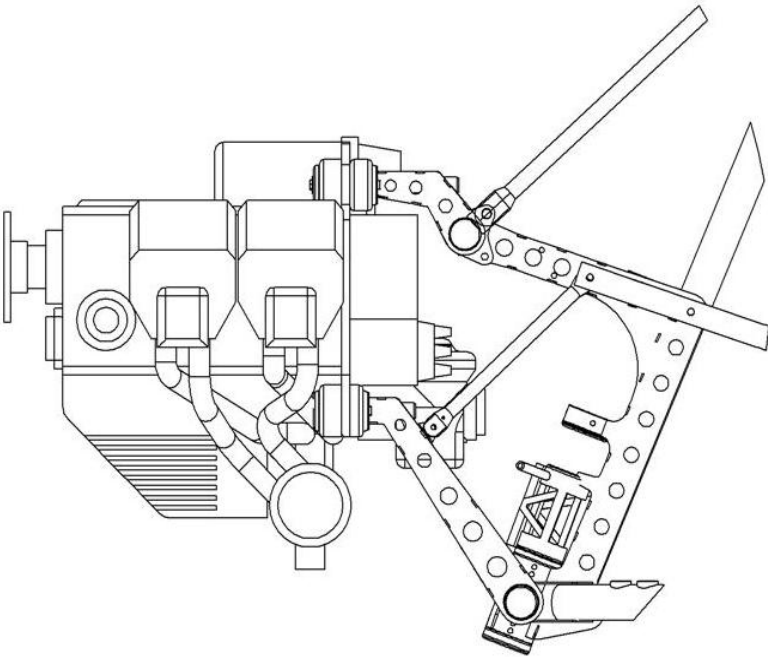
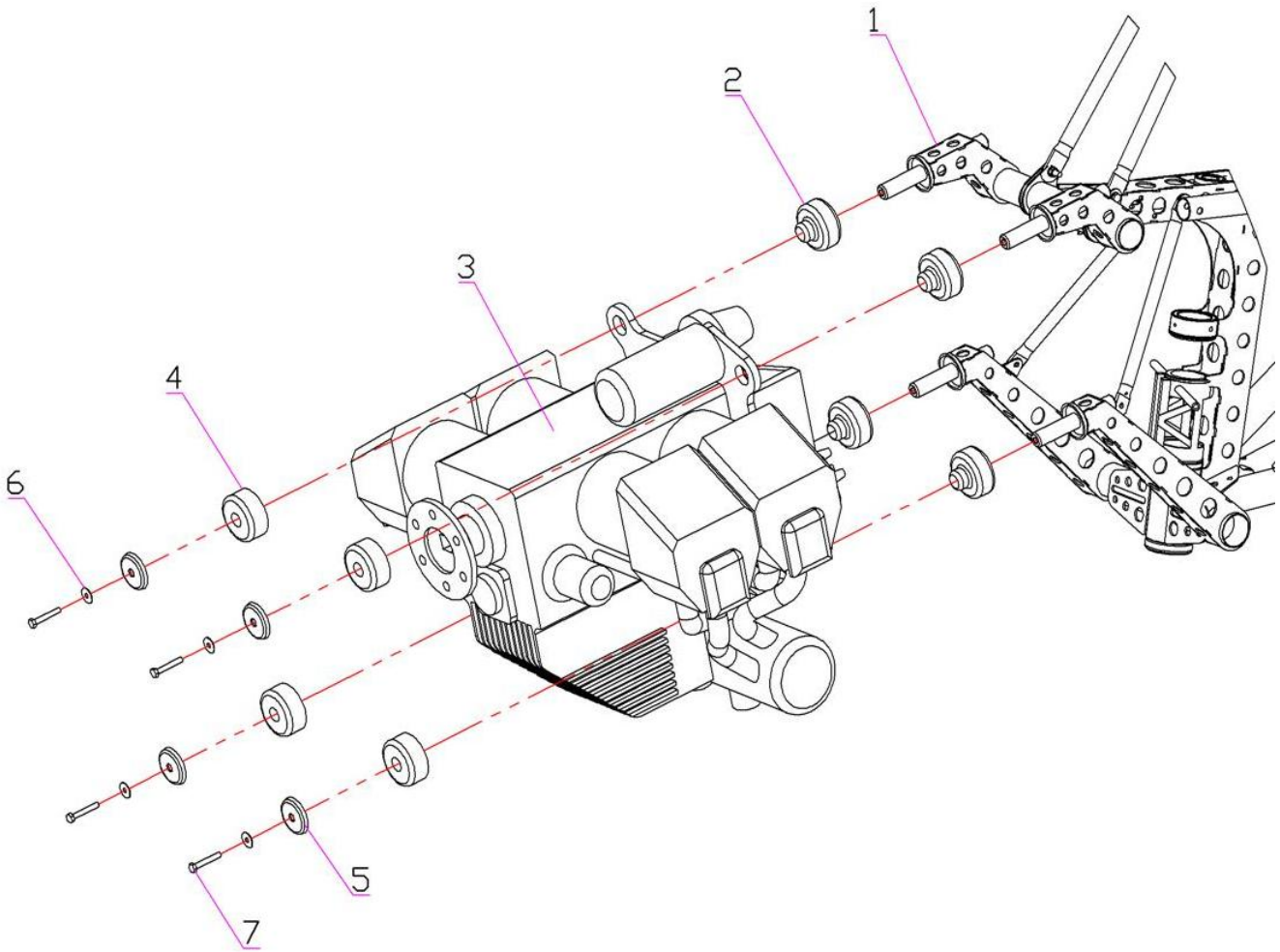


98_1 Rotax 912 installation





98_2 Jabiru installation





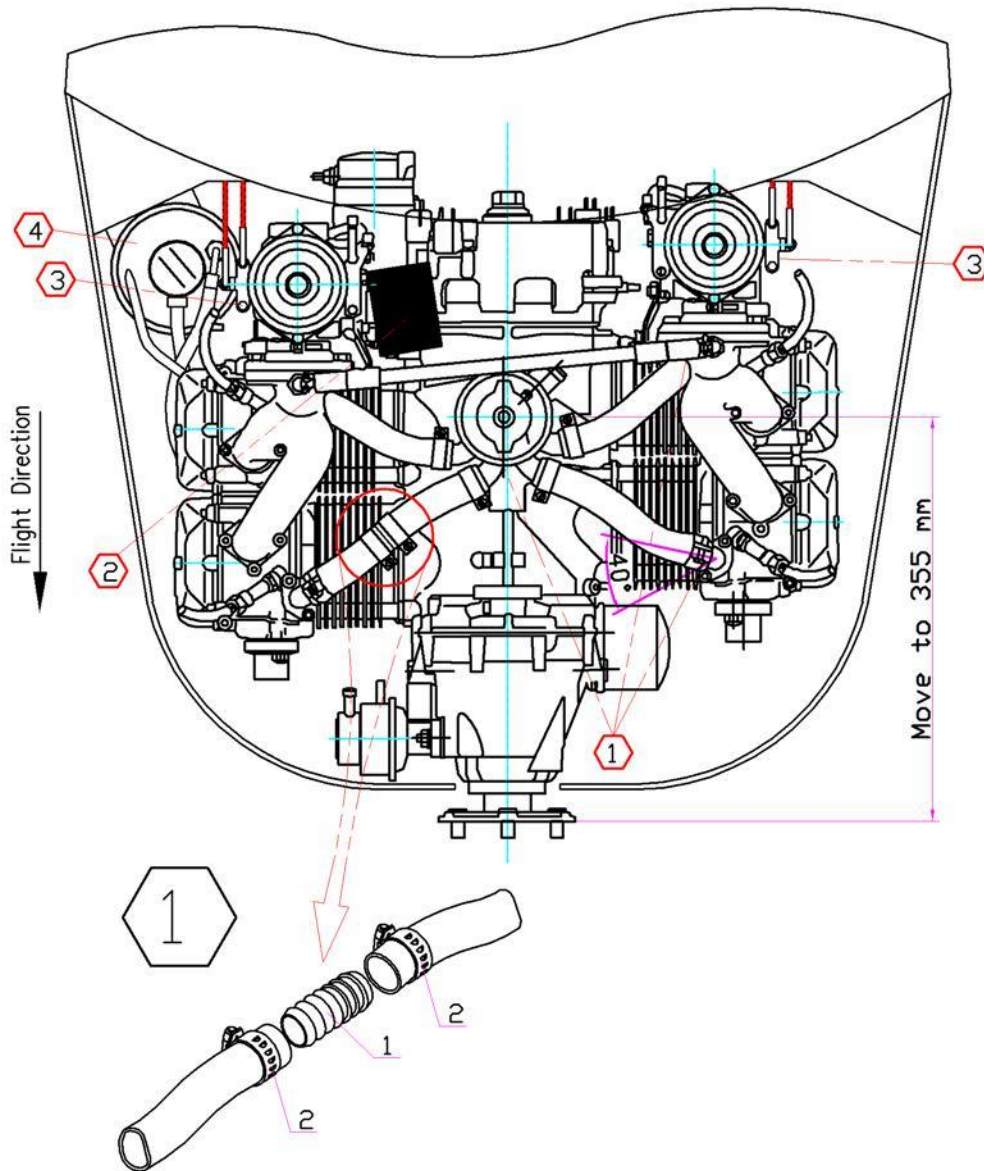
Section 99 **Rotax 912 installation continued**

No.	Description	Qty each	Qty Total	Part No:
1	Tube	1	1	CH-00-63208
2	Adjuster pipe clamp 20/32	2	2	

Note: This page gives an overview of recommended engine installation process. Points outlined here are described in more detail in the pages that follow.



99_1 Rotax 912 installation continued



- ① Move expansion tank to new position. Rotate elbow to face expansion tank.
- ② Raise electronic modules by 20mm. Install new mounting bracket for electronic modules.
- ③ Install new bracket for carburetor.
- ④ Install oil tank on the fairing.
- ⑤ Install new exhaust system.

Rotax 912

**Section 100 Rotax 912 installation continued**

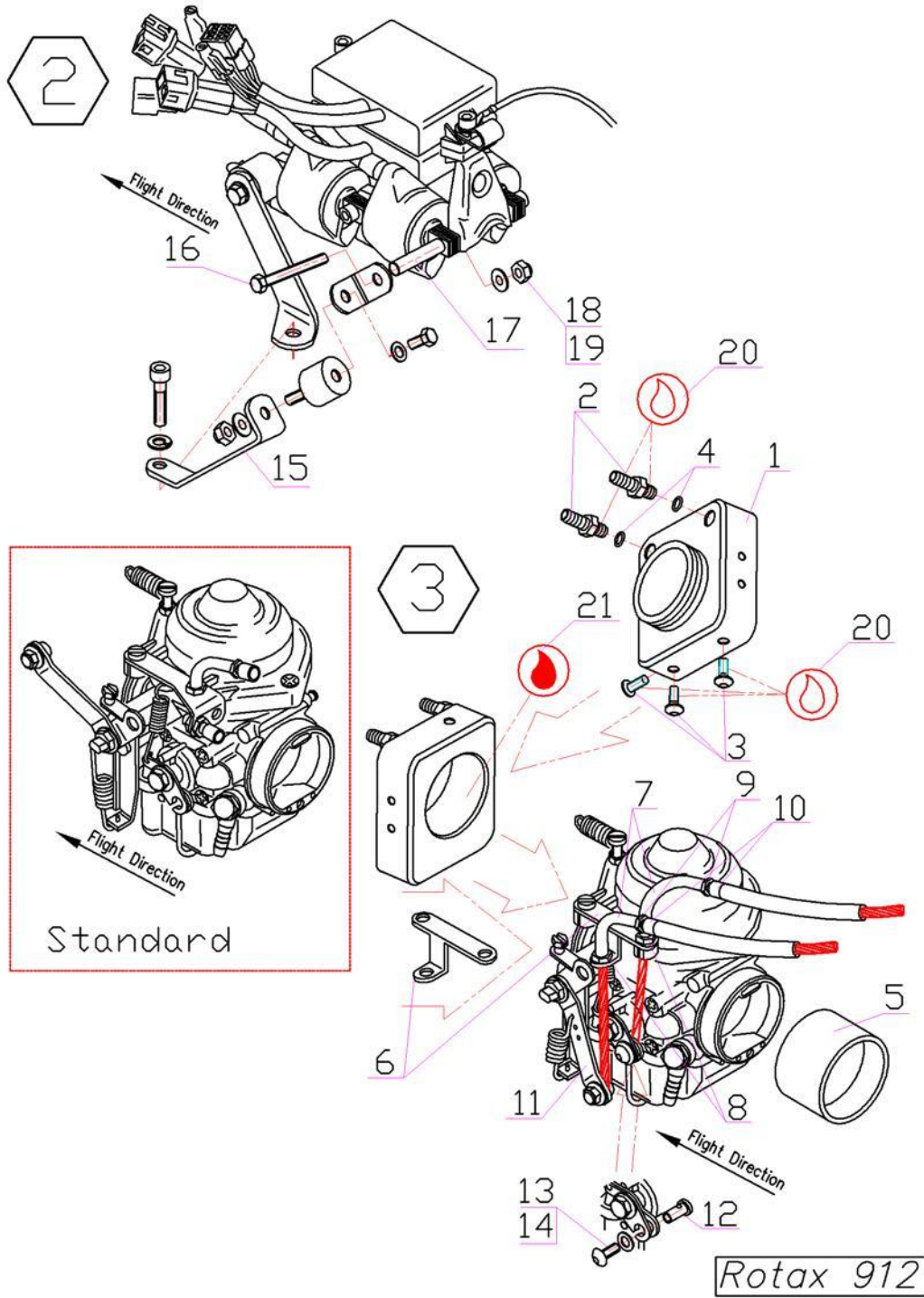
No.	Description	Qty each	Qty Total	Part No:
1	Block	2		CH-00-66111
2	Male connector	4		CH-00-66112
3	Black machine screw M6x5	6		CH-00-66113
4	O-ring di. 8 x 2	4		
5	Jig ring	2		CH-00-66101
6	Bracket for throttle cable guide	1	2	CH-00-62310-01 CH-00-62310-02
7	Throttle cable guide	2	2	
8	Nuts M6 x 0.75 Thin	6		
9	Nuts M5	4		
10	Adjuster bolt M5	4		CH-00-62306
11	Bracket	2		CH-00-62301
12	Choke cable holder	2		CH-00-62303
13	Washer M4	2		
14	Black machine screw M3x4	2		CH-00-62308
15	Plate	1		CH-00-52002
16	Bolt M 6 x 45	1		
17	Bush	1		CH-00-52001
18	Washer M6 x 12	2		
19	Nylock Nuts M6	2		
20	Loctite 572			
21	Loctite 648			
22	Pop rivet di 4.0 x 4.0 St. Steel	1	2	

Note: Cheetah carburetor heating system kit is supplied on special request and does not form part of the standard Cheetah airframe kit.

Unless specifically ordered with the kit, carb heaters bought from other suppliers may vary in appearance and may have different installation requirements.



100_1 Rotax 912 installation continued



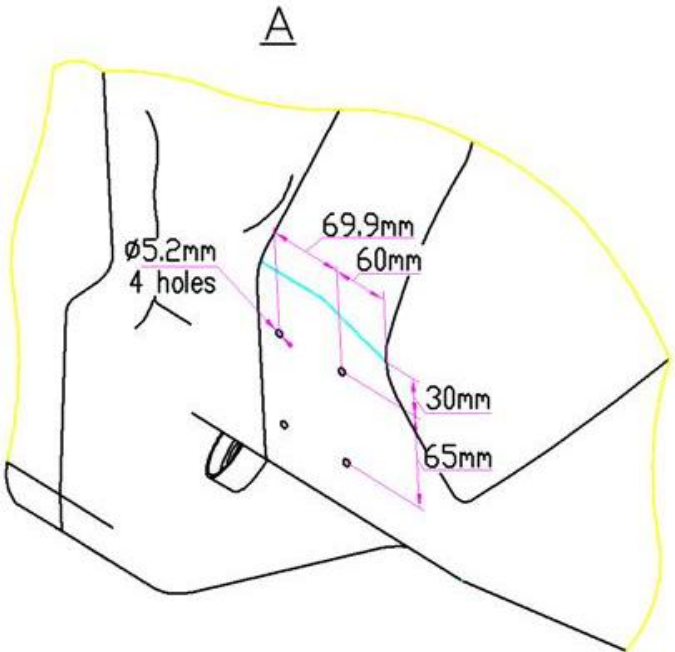
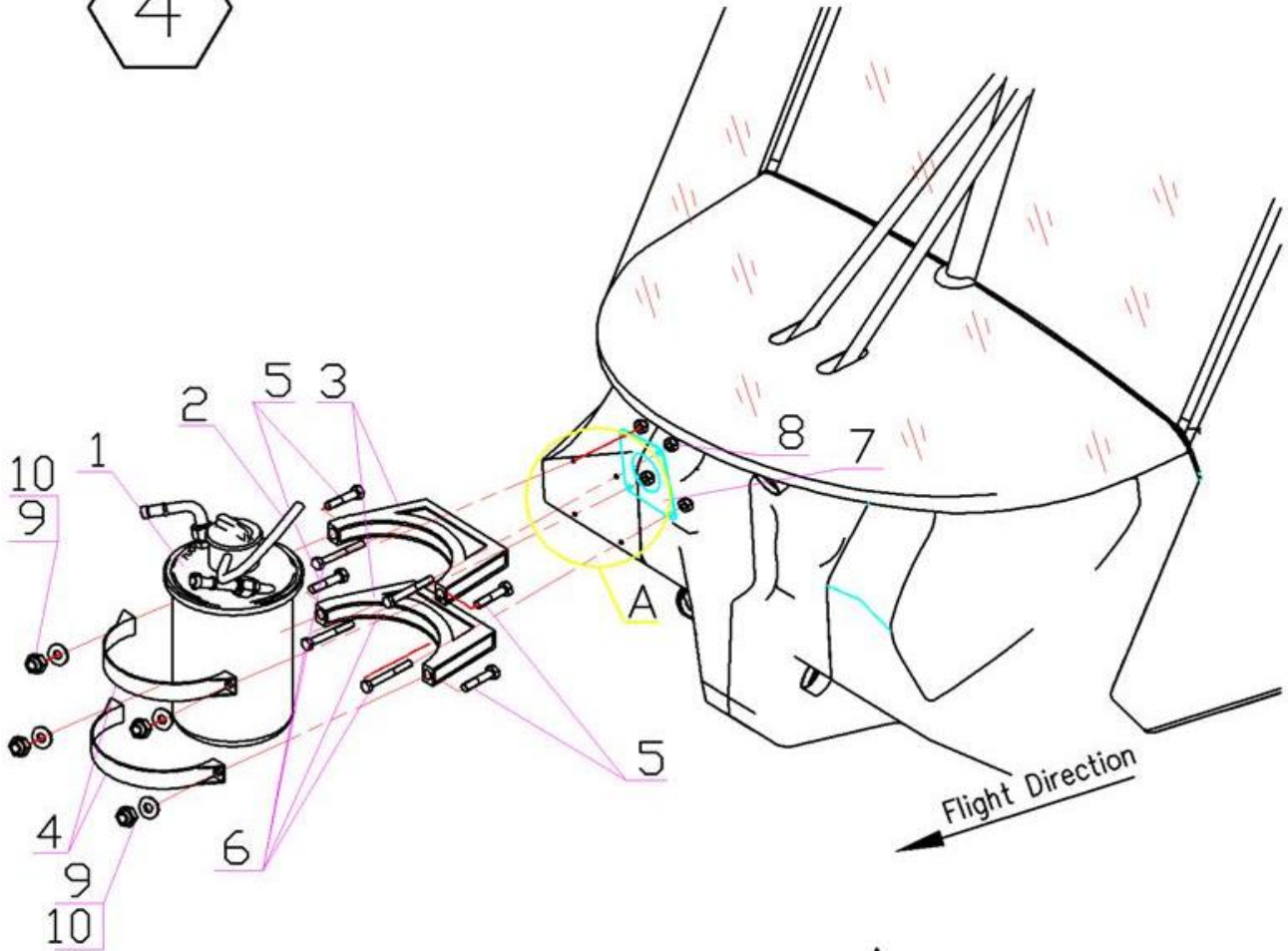
**Section 101 Rotax 912 installation continued**

No.	Description	Qty each	Qty Total	Part No:
1	Oil Tank	1	1	
2	Hose di. 8.0 x 1000	1	1	
3	Holder	2	2	CH-00-04290
4	Holder Strap	2	2	CH-00-04310
5	Bolt M5 x 12	4	4	
6	Bolt M6 x 40	4	4	
7	Plate	1	1	CH-00-00036
8	Nylock Nuts M5	4	4	
9	Washer M6 x 12	4	4	
10	Nylock Nuts	4	4	



101_1 Rotax 912 installation continued

4



Rotax 912



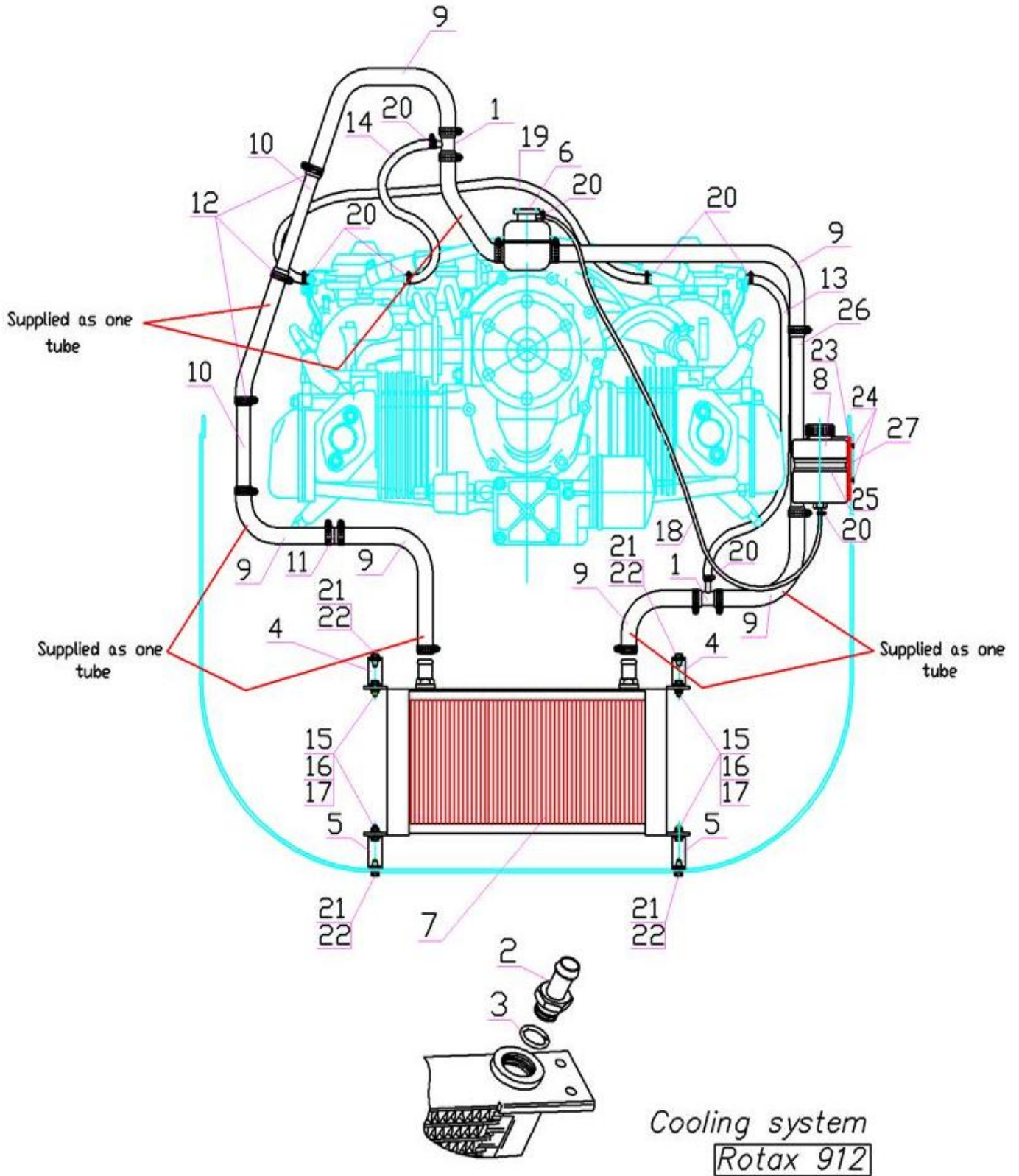
Section 102 Rotax 912 water cooling system installation

No.	Description	Qty each	Qty Total	Part No:
1	Carb-heat T-piece connection	2	2	CH-00-63210
2	Radiator joining sleeve	2	2	CH-00-63110
3	O-ring rubber ID. 20 x 3.5	2	2	
4	Top Bracket	2	2	CH-00-63220
5	Bottom bracket	2	2	CH-00-63230
6	Expansion tank	1	1	
7	Radiator	1	1	CH-00-63207
8	Over flow bottle with cap	1	1	CH-00-63240
9	Rubber Hose dim 33 x 25	3	3	CH-00-63209
10	Medium transitioner	1	1	CH-00-63201
11	Small transitioner	2	2	CH-00-63202
12	Adjuster clamp 20/32	16	16	
13	Rubber Hose di.13.0 x 6.0 x 590	1	1	CH-00-63204-01
14	Rubber Hose di.13.0 x 6.0 x 530	1	1	CH-00-63204-02
15	Bolt M6 x 20	8	8	
16	Washer M6	8	8	
17	Nylock Nuts M6	8	8	
18	Rubber Hose di.13.0 x 6.0 x 950.0	1	1	CH-00-63204-03
19	Rubber Hose di.13.0 x 6.0 x 750.0	1	1	CH-00-63204-04
20	Adjuster clamp 10-16	8	8	
21	Rivet Nut M4	4	4	
22	Black Machine Screws M4 x 16	4	4	
23	Bracket	2	2	CH-00-63205
24	Pop Rivet di. 4.8 x 10 St Steel	2	2	
25	Tie Wrap 390 x 7.8 xtra Large	1	1	
26	Big transitioner	1	1	CH-00-63213
27	Sealing strip 20.0 x 4.0 x 100	1	1	

Note: Cheetah radiator kit is supplied on special request and does not form part of standard equipment supplied with Cheetah airframe kit.
 Unless specifically ordered with the kit, radiators bought from other suppliers may vary in appearance and may have different installation requirements.
 We recommend using Cheetah water cooling system, as it was specifically designed for use on the Cheetah.



102_1 Rotax 912 water cooling system installation





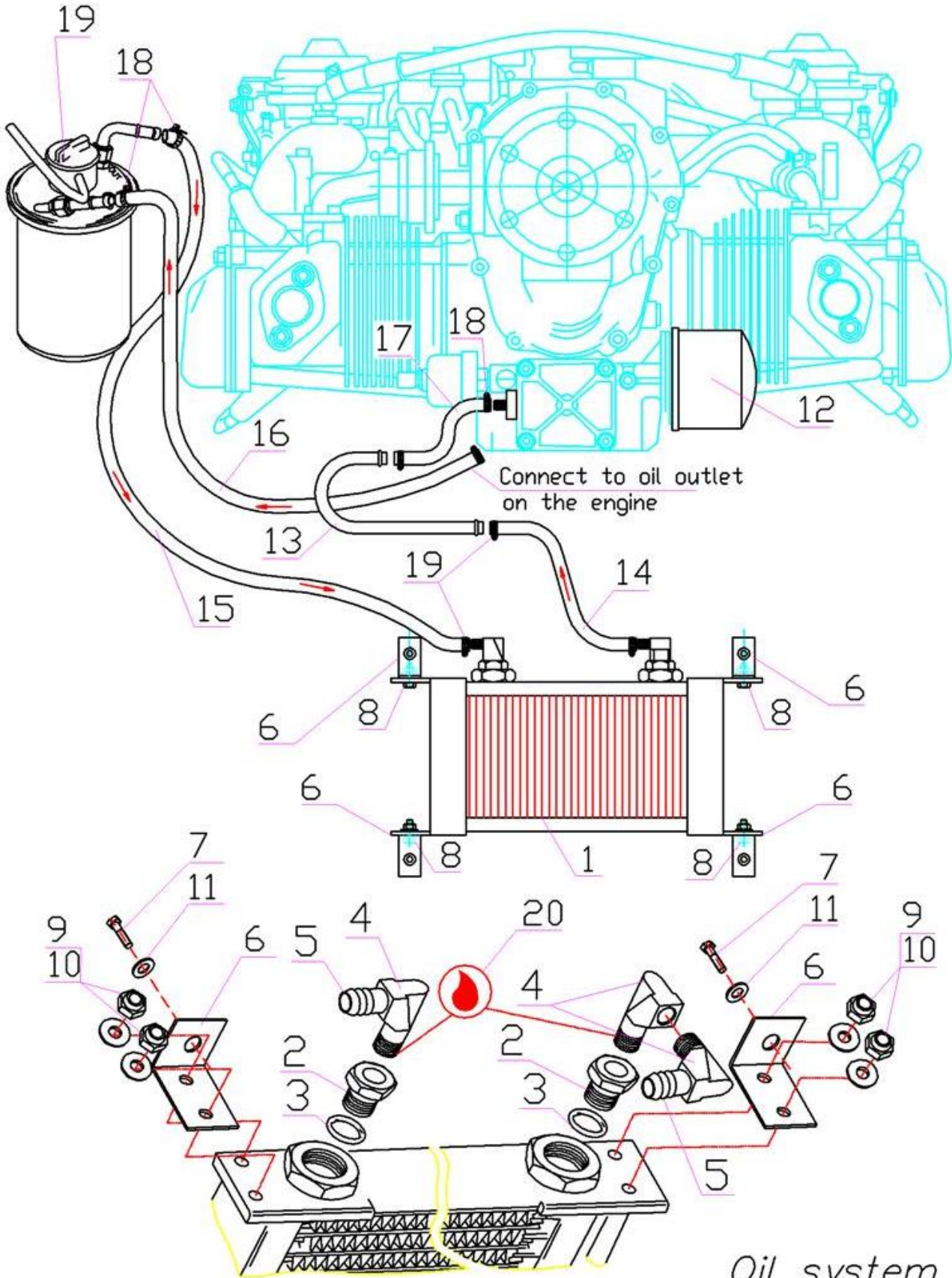
Section 103 Rotax 912 Oil cooling system installation

No.	Description	Qty each	Qty Total	Part No:
1	Oil Radiator	1	1	CH-00-63210
2	Transitioner	2	2	CH-00-63411
3	O-ring rubber ID 20.0 x 3.5	2	2	
4	Bent connector	2	2	CH-00-63412
5	Bent connector	2	2	CH-00-63413
6	Mounting bracket	4	4	CH-00-63230
7	Machined screw M4 x 20	4	4	
8	Bolt M6 x 20	8	8	
9	Washer M6	8	8	
10	Nylock nuts M6	8	8	
11	M4 washer	4	4	
12	Oil Filter	1	1	
13	Joining tube	1	1	CH-00-63402
14	Joining hose 65mm	1	1	
15	Joining hose 650mm	1	1	
16	Joining hose 500mm	1	1	
17	Joining hose 285mm	1	1	
18	Adjuster pipe clamp 16/25	12	12	
19	Oil Tank	1	1	
20	Loctite N572			

Note: Cheetah oil radiator kit is supplied on special request and doesn't form part of standard equipment supplied with Cheetah airframe kit.
 Unless specifically ordered with the kit, radiators bought from other suppliers may vary in appearance and may have different installation requirements.
 We recommend using Cheetah oil cooling system, as it was specifically designed for use on the Cheetah.



103_1 Rotax 912 oil cooling system installation



Oil system
Rotax 912

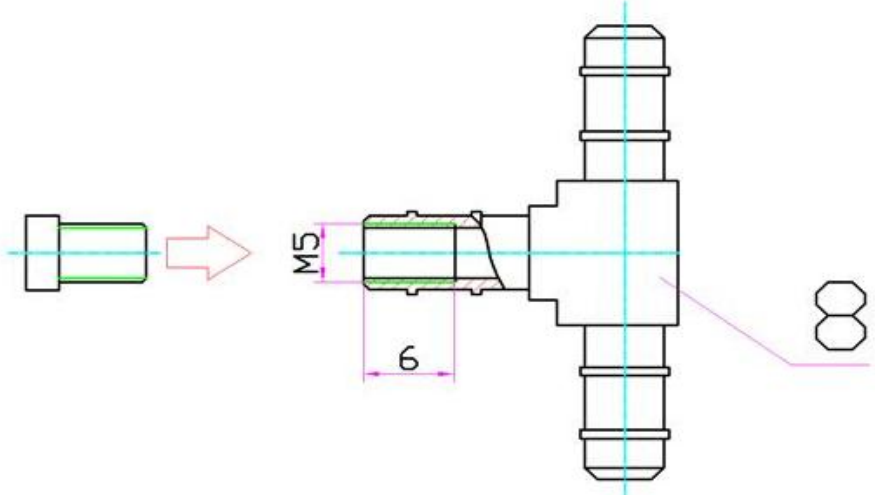
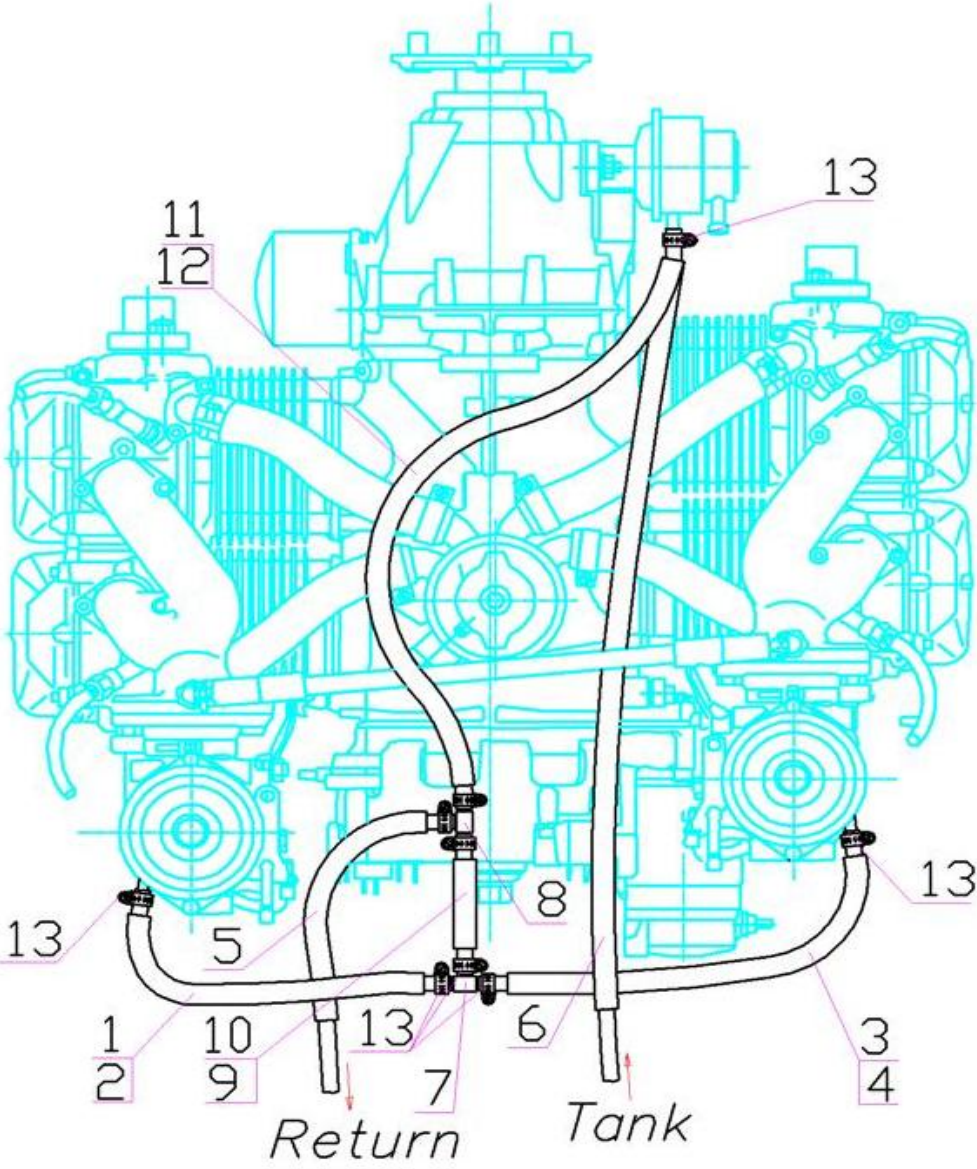


Section 104 Rotax 912 fuel line installation

No.	Description	Qty each	Qty Total	Part No:
1	Fuel line (Grey) - 450mm	1	1	
2	Centurylon - 450mm	1	1	
3	Fuel line (Grey) - 450mm	1	1	
4	Centurylon - 450mm	1	1	
5	Centurylon - 500mm	1	1	
6	Centurylon - 760mm	1	1	
7	T- Piece	1	1	
8	T- Piece with jet	1	1	
9	Fuel line (Grey) - 250mm	1	1	
10	Centurylon - 250mm	1	1	
11	Fuel line (Grey) - 500mm	1	1	
12	Centurylon - 500mm	1	1	
13	Adjuster pipe clamp 10/16	10	10	



104_1 Rotax 912 fuel line installation



Rotax 912



Section 105 Rotax 912 exhaust system installation

No.	Description	Qty each	Qty Total	Part No:
1	Muffler	1	1	CH-00-68310
2	Exhaust tube	1	1	CH-00-68320
3	Exhaust tube Front Left	1	1	CH-00-68340
4	Exhaust tube Back Left	1	1	CH-00-68390
5	Exhaust tube Front Right	1	1	CH-00-68350
6	Exhaust tube Back Right	1	1	CH-00-68370
7	Exhaust spring	12	12	CH-00-68308
8	Clamp	2	2	CH-00-68306
9	Locating pin	2	2	CH-00-68307
10	Bolt M5 x 40	2	2	
11	Washer M5	2	2	
12	Nuts M5	2	2	
13	Exhaust left, top, back	1	1	CH-00-68380
14	Out let pipe	1	1	CH-00-68330
15	Exhaust left back, right	1	1	CH-00-68360

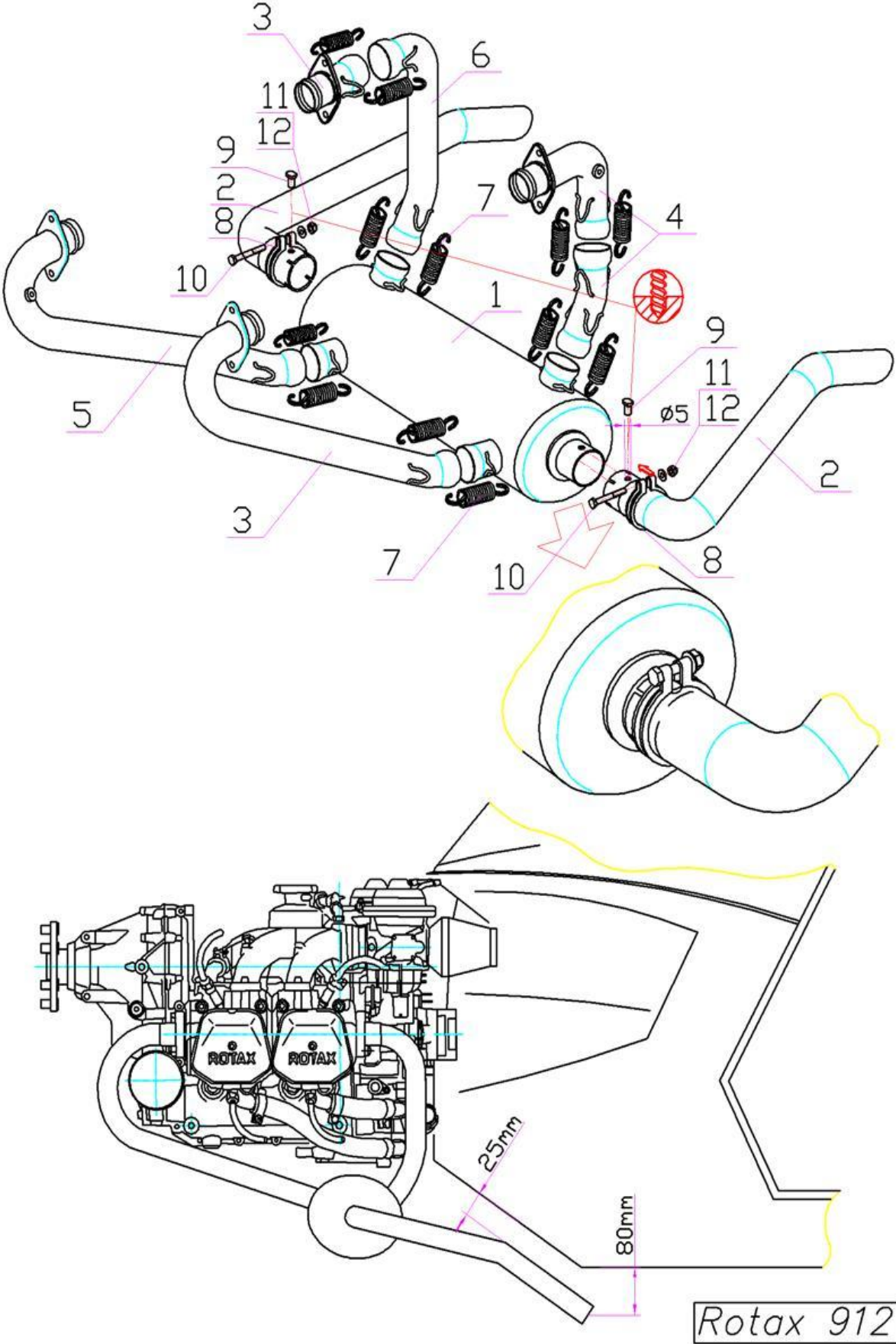
Note: Unless specifically ordered with the kit, exhaust and exhaust components bought from another source/suppliers may vary in appearance to the ones shown here.
Please consult engine installation manual before proceeding with installation.

We recommend using Cheetah exhaust system for ROTAX 912, as it was specifically designed for use on the Cheetah.

Muffler is also available in stainless steel.



105_1 Rotax 912 exhaust system installation



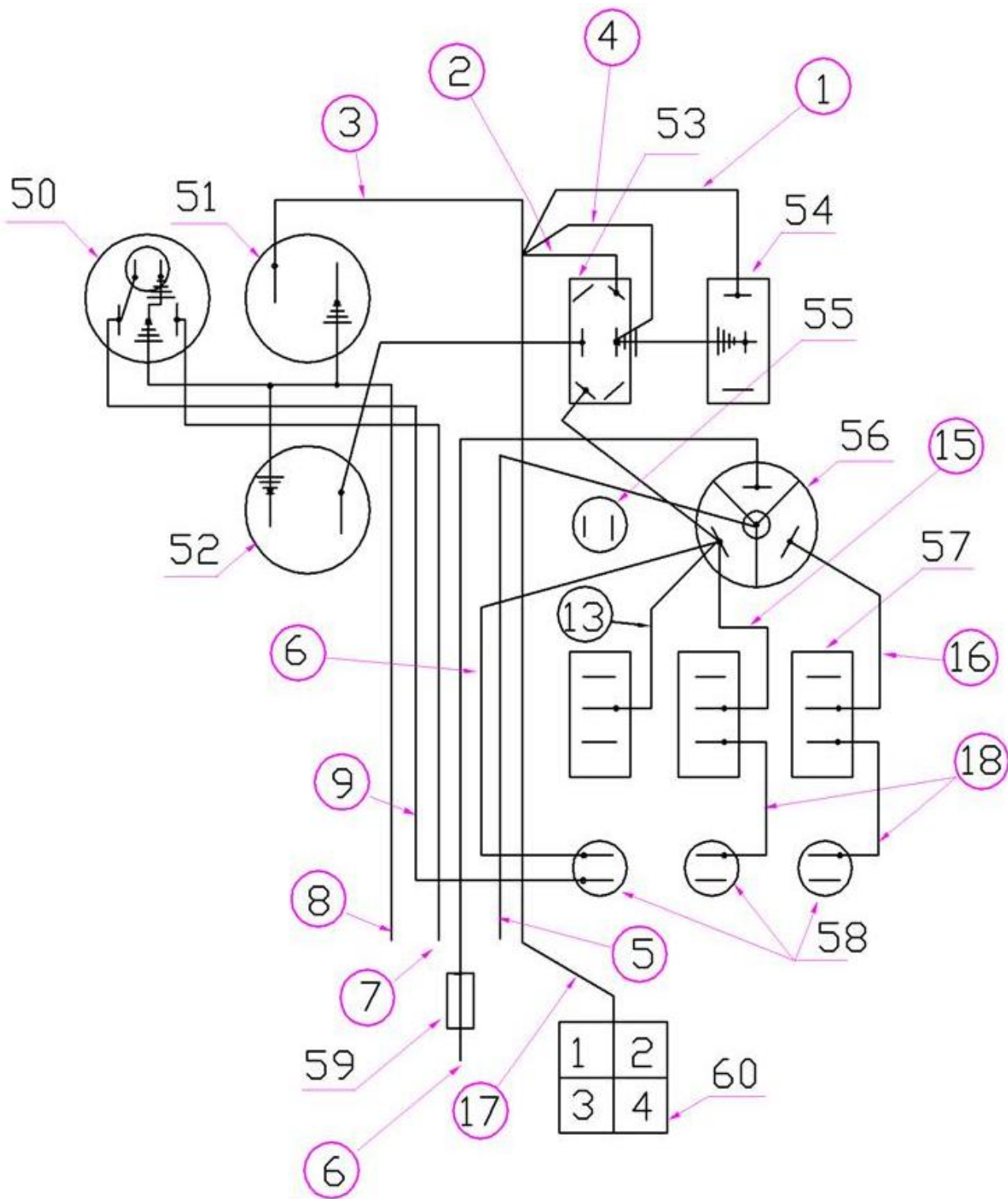
**Section 106 Wiring diagram 582**

No.	Description	Qty each	Qty Total	Part No:
1	Wire Ø0.75 x 110 blue	1	1	CH-00-83301
2	Wire Ø0.75 x 80 red	1	1	CH-00-83302
3	Wire Ø0.75 x 175 green	1	1	CH-00-83303
4	Wire Ø0.75 x 180 black & green	1	1	CH-00-83304
5	Wire Ø1.5 x 230 purple	1	1	CH-00-83305
6	Wire Ø1.5 x 260 red	1	1	CH-00-83306
7	Wire Ø0.75 x 450 blue	1	1	CH-00-83307
8	Wire Ø0.75 x 650 black	1	1	CH-00-83308
9	Wire Ø0.75 x 440 red	1	1	CH-00-83309
10	Wire Ø1.5 x yellow	1	1	CH-00-833010
11	Wire Ø1.5 x yellow	1	1	CH-00-833011
12	Wire Ø1.5 x red	1	1	CH-00-833012
13	Wire Ø0.75 x 230 red	1	1	CH-00-833013
14	Wire Ø0.75 x 100 red	1	1	CH-00-833014
15	Wire Ø0.75 x 75 red	1	1	CH-00-833015
16	Wire Ø0.75 x 75 red	1	1	CH-00-833016
17	Wire 3core Ø0.75 x 370	1	1	CH-00-833017
18	Wire Ø0.75 x 70 red	1	1	CH-00-833018
50	Water temp gauge 120°	1	1	
51	RPM (tacho meter) gauge	1	1	
52	Hourmeter	1	1	
53	6-pin toggle switch	1	1	
54	3-pin toggle switch	1	1	
55	Warning lights	1	1	
56	Key switch	1	1	
57	Rocker switch	3	3	
58	Panel mount fuse holder	3	3	
59	Ceramic fuse holder 25A	1	1	
60	4-pin moulex connector	1	1	
61	12v battery	1	1	
62	Starter relay	1	1	
63	Water temp censor	1	1	
64	582 engine	1	1	
65	Electric starter	1	1	
66	Rectifier	1	1	
67	RPM & ignition wires	1	1	
68	Ceramic fuse holder 25A	1	1	
69	Grounding point on fuselage	1	1	

Note: Electrical wiring & components are not supplied in standard kit form , Special order must be made for these parts. Wiring diagrams may differ, please check diagrams included with components.



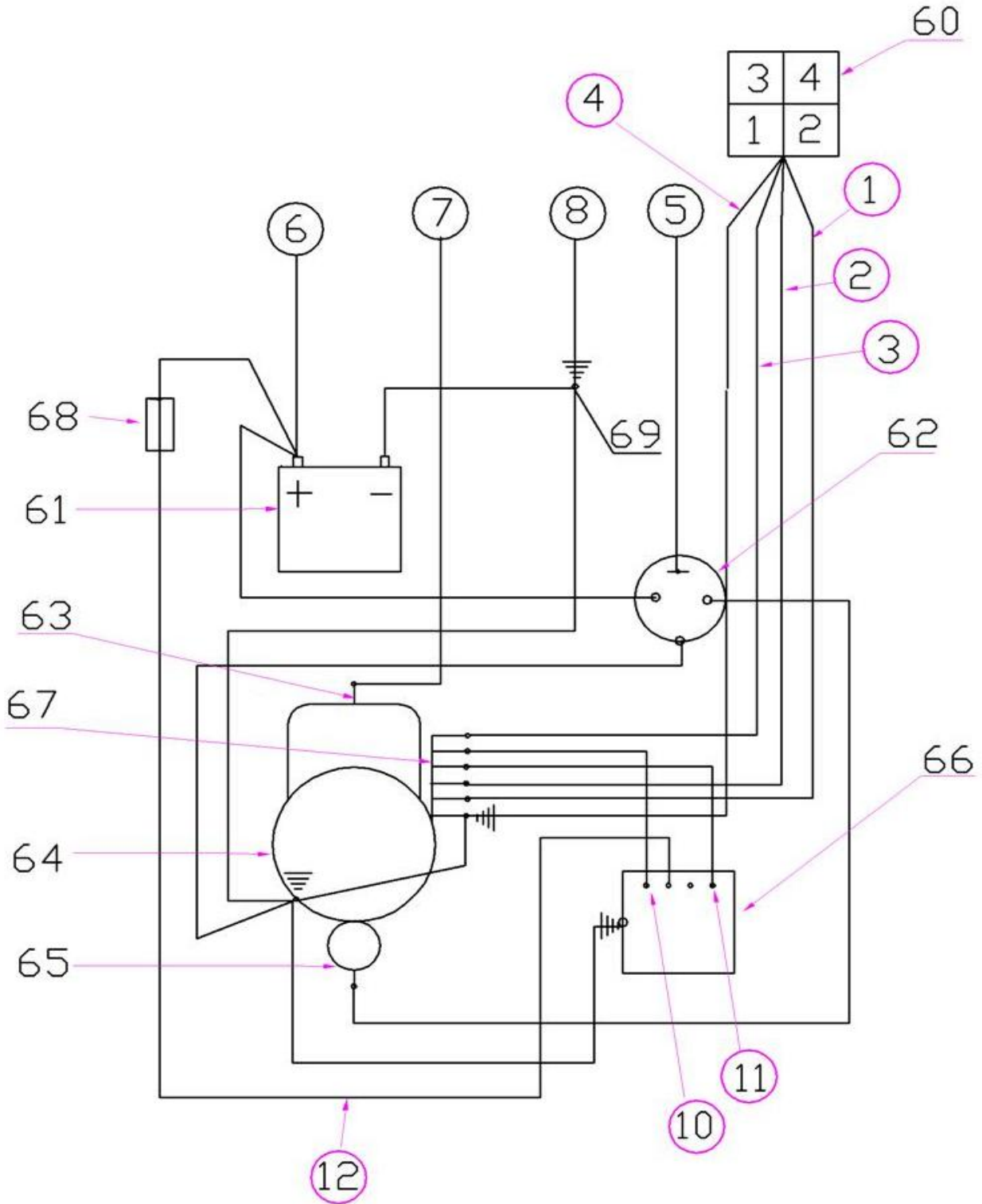
106_1 Wiring diagram 582



Rotax 582



106_2 Wiring diagram 582



Rotax 582



106_3 Wiring diagram 912

No.	Description	Qty each	Qty Total	Part No:
1	Wire Ø1.5 x 320 red	1	1	CH-00-83401
2	Wire Ø1.5 x 320 purple	1	1	CH-00-83402
3	Wire Ø1.5 x 320 grey	1	1	CH-00-83403
4	Wire 3core Ø0.75 x 370	1	1	CH-00-83404
5	Wire Ø0.75 x 260 red	1	1	CH-00-83405
6	Wire Ø0.75 x 70 red	1	1	CH-00-83406
7	Wire Ø0.75 x 175 green	1	1	CH-00-83407
8	Wire Ø0.75 x 110 blue	1	1	CH-00-83408
9	Wire Ø0.75 x 80 red	1	1	CH-00-83409
10	Wire Ø0.75 x 140 green	1	1	CH-00-83411
11	Wire Ø0.75 x 110 red	1	1	CH-00-83412
12	Wire Ø0.75 x 430 red	1	1	CH-00-83413
13	Wire Ø0.75 x 70 red	1	1	CH-00-83414
14	Wire Ø0.75 x 100 red	1	1	CH-00-83415
15	Wire Ø0.75 x 75 red	1	1	CH-00-83416
16	Wire Ø0.75 x 60 red	1	1	CH-00-83417
17	Wire Ø0.75 x 300 white	1	1	CH-00-83418
18	Wire Ø0.75 x 370 blue	1	1	CH-00-83419
19	Wire Ø0.75 x 400 blue	1	1	CH-00-83420
20	Wire Ø0.75 x 440 yellow	1	1	CH-00-83421
21	Wire Ø0.75 x 500 green	1	1	CH-00-83422

Note: Electrical wiring & components are not supplied in standard kit form , Special order must be made for these parts. Wiring diagrams may differ, please check diagrams included with components.



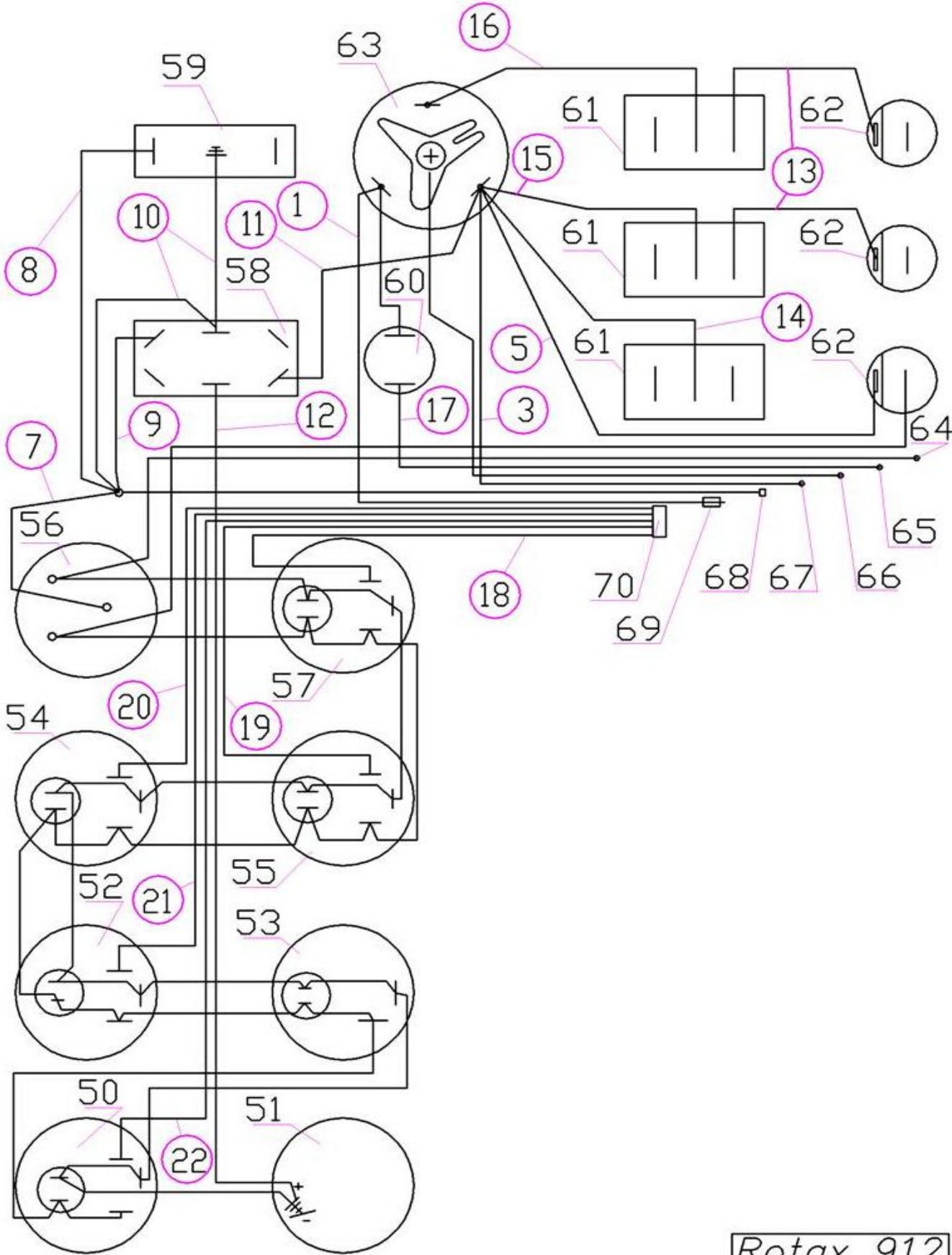
106_4 Wiring diagram 912

No.	Description	Qty each	Qty Total	Part No:
<u>Components</u>				
50	Voltmeter	1	1	
51	Hourmeter	1	1	
52	Oil temp gauge	1	1	
53	EGT	1	1	
54	Oil pressure gauge	1	1	
55	CHT	1	1	
56	RPM (tacho meter) gauge	1	1	
57	CHT	1	1	
58	6-pin toggle switch	1	1	
59	3-pin toggle switch	1	1	
60	Warning light	1	1	
61	Rocker switch	3	3	
62	Panel mount fuse holder	3	3	
63	Key switch	1	1	
64	Bullet connector male	1	1	
65	Bullet connector male	1	1	
66	Bullet connector male	1	1	
67	Bullet connector male	1	1	
68	4-pin moulex connector	1	1	
69	Ceramic fuse holder	25A	1	1
70	6-pin moulex connector	1	1	

Note: Electrical wiring & components are not supplied in standard kit form , Special order must be made for these parts. Wiring diagrams may differ, please check diagrams included with components.



106_5 Wiring diagram 912



Rotax 912



106_6 Wiring diagram 912

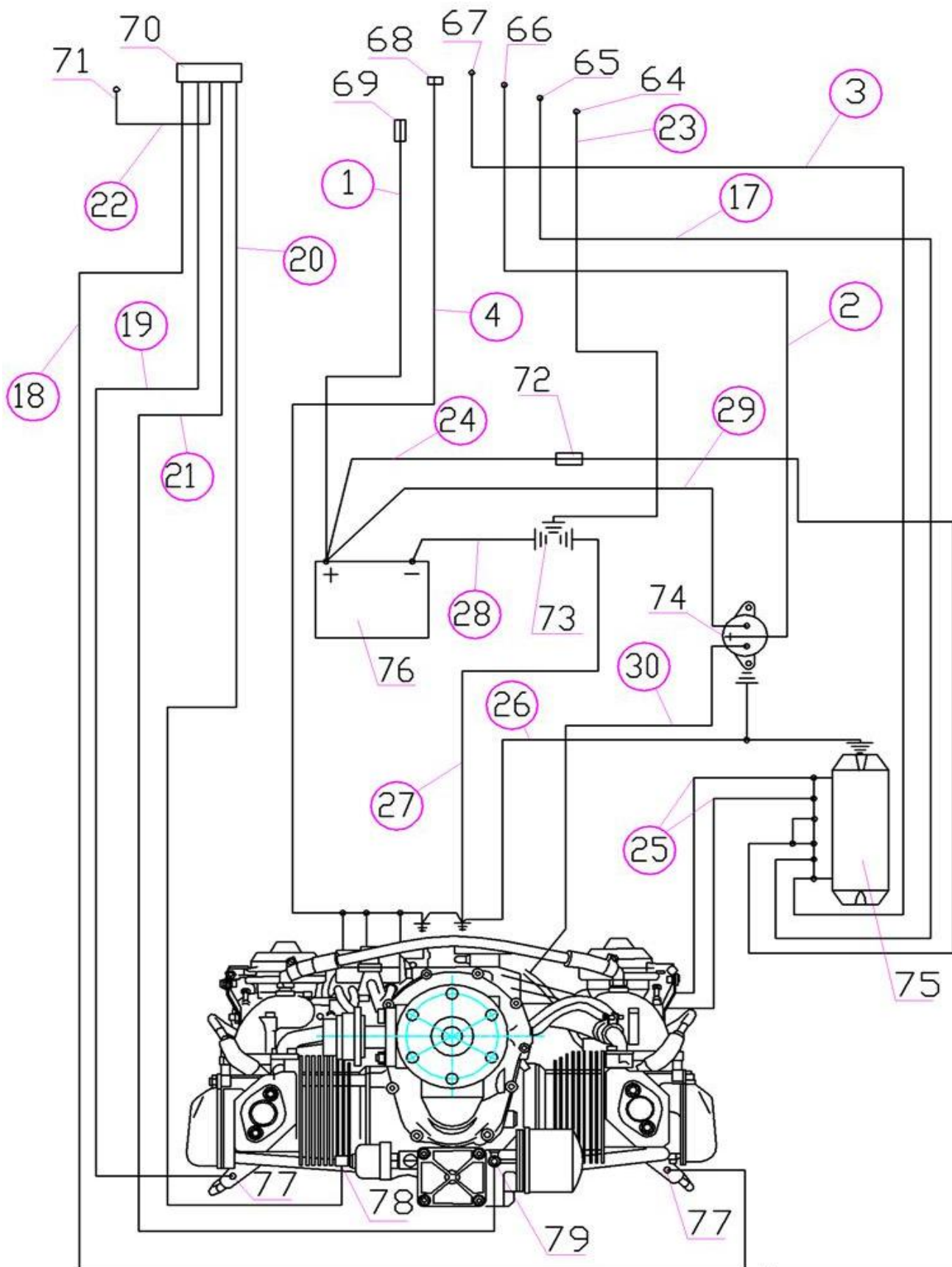
No.	Description	Qty each	Qty Total	Part No:
1	Wire Ø1.5 x 3350 red	1	1	CH-00-83451
2	Wire Ø1.5 x 1700 purple	1	1	CH-00-83452
3	Wire Ø1.5 x 1700 grey	1	1	CH-00-83453
4	Wire 3core Ø0.75 x 1100	1	1	CH-00-83454
17	Wire Ø0.75 x 1700 white	1	1	CH-00-83455
18	Wire Ø0.75 x 1330 blue	1	1	CH-00-83456
19	Wire Ø0.75 x 1150 blue	1	1	CH-00-83457
20	Wire Ø0.75 x 1450 yellow	1	1	CH-00-83458
21	Wire Ø0.75 x 1600 green	1	1	CH-00-83459
22	Wire Ø0.75 x 2200 blue	1	1	CH-00-83461
23	Wire Ø0.75 x 370 black	1	1	CH-00-83462
24	Wire Ø1.5 x 4600 red	1	1	CH-00-83463
25	Yellow from engine	1	1	CH-00-83464
26	Wire Ø1.5 x 1150 brown	1	1	CH-00-83465
27	Wire Ø10.0 x 820 black	1	1	CH-00-83466
28	Wire Ø10.0 x 3350 black	1	1	CH-00-83467
29	Wire Ø10.0 x 4600 black	1	1	CH-00-83468
30	Wire Ø10.0 x 870 black	1	1	CH-00-83469
components				
64	Bullet connector female	1	1	
65	Bullet connector female	1	1	
66	Bullet connector female	1	1	
67	Bullet connector female	1	1	
68	4-pin moulex connector female	1	1	
69	Ceramic fuse holder 25A	2	2	
70	6-pin moulex connector female	1	1	
71	Bullet connector male	1	1	
72	Ceramic fuse holder 25A	2	2	
73	Ground point on engine mount	1	1	
74	Starter relay	1	1	
75	Rectifier	1	1	
76	12v battery	1	1	
77	CHT sender	2	2	
78	Oil pressure sensor	1	1	
79	Oil temp sensor	1	1	

Note: Electrical wiring & components are not supplied in standard kit form , Special order must be made for these parts. Wiring diagrams may differ, please check diagrams included with components.

Started:	/	/	:	Ended:	/	/	:	Completed by:	
----------	---	---	---	--------	---	---	---	---------------	--



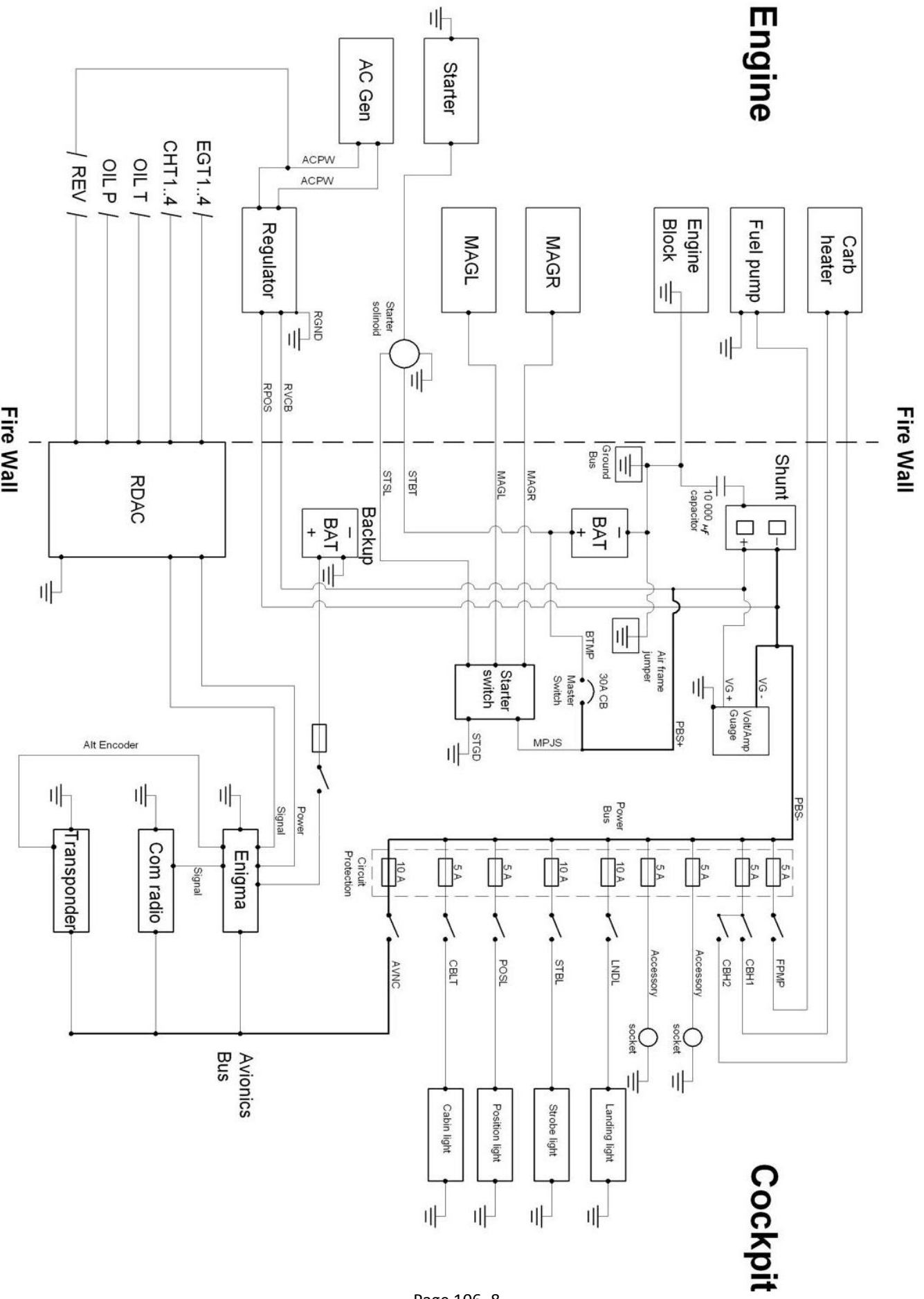
106_7 **Wiring diagram 912**



Rotax 912



106_8 Wiring diagram Jabiru 2200





Revision	0									Dated July 2009
----------	---	--	--	--	--	--	--	--	--	-----------------

Rainbow Aircraft (Pty) Ltd

Cheetah assembly manual and Parts List



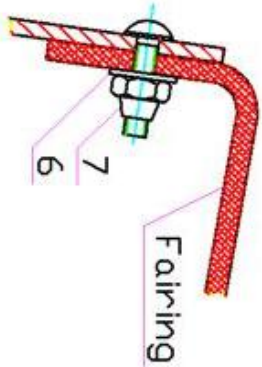
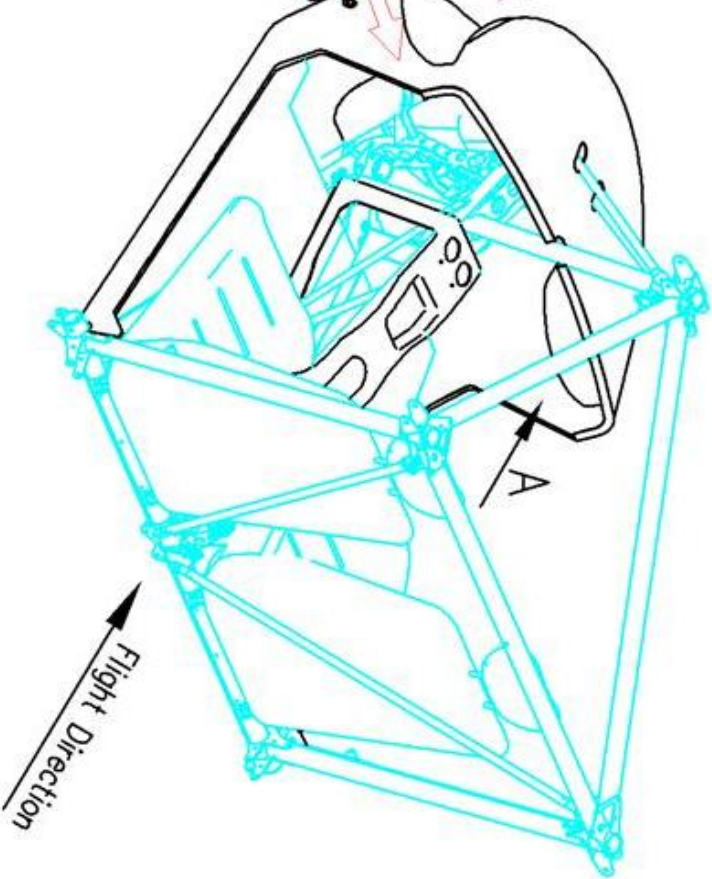
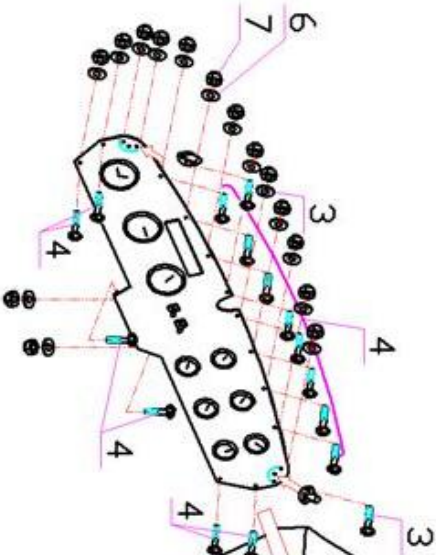
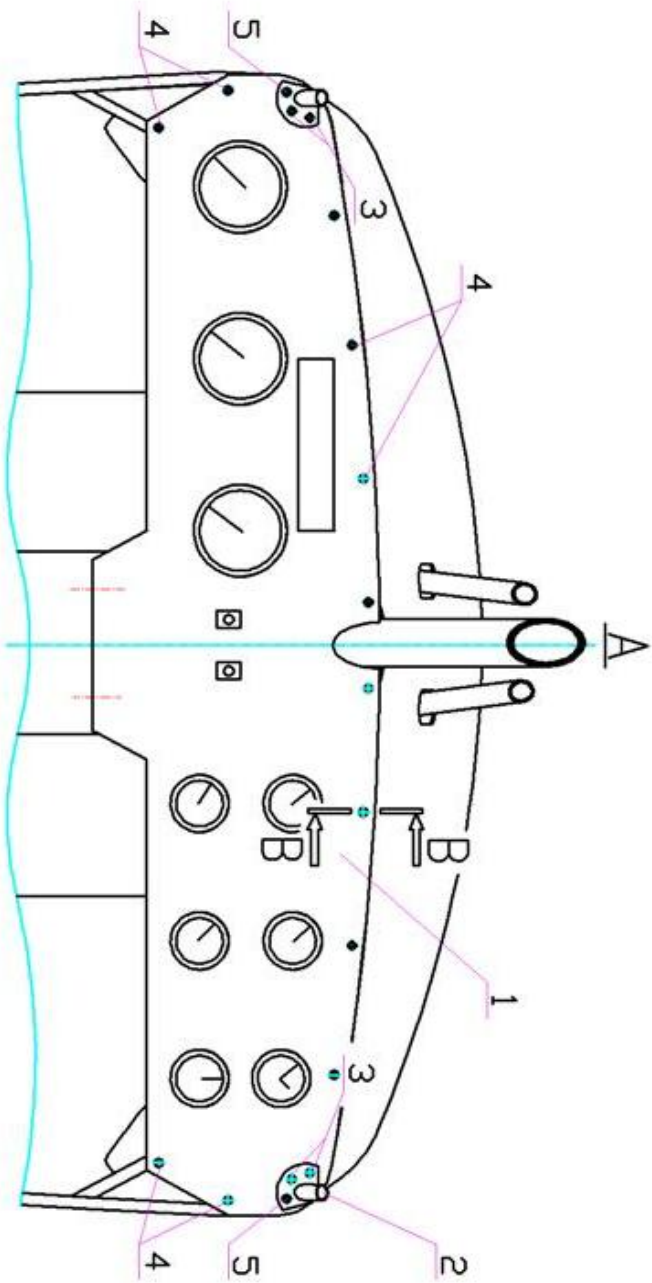
Section 107 Instrument panel

No.	Description	Qty each	Qty Total	Part No:
1	Instrument panel	1	1	
2	Bracket	1	1	
3	Machine screws M4 x 16	1	1	
4	Machine screws M4 x 12	1	1	
5	Machine screws M4 x 20	1	1	
6	Washer M4	1	1	
7	Nylock Nuts M4	1	1	

Started:	/	/	:	Ended:	/	/	:	Completed by:	
----------	---	---	---	--------	---	---	---	---------------	--



107_1 Instrument panel



B-B

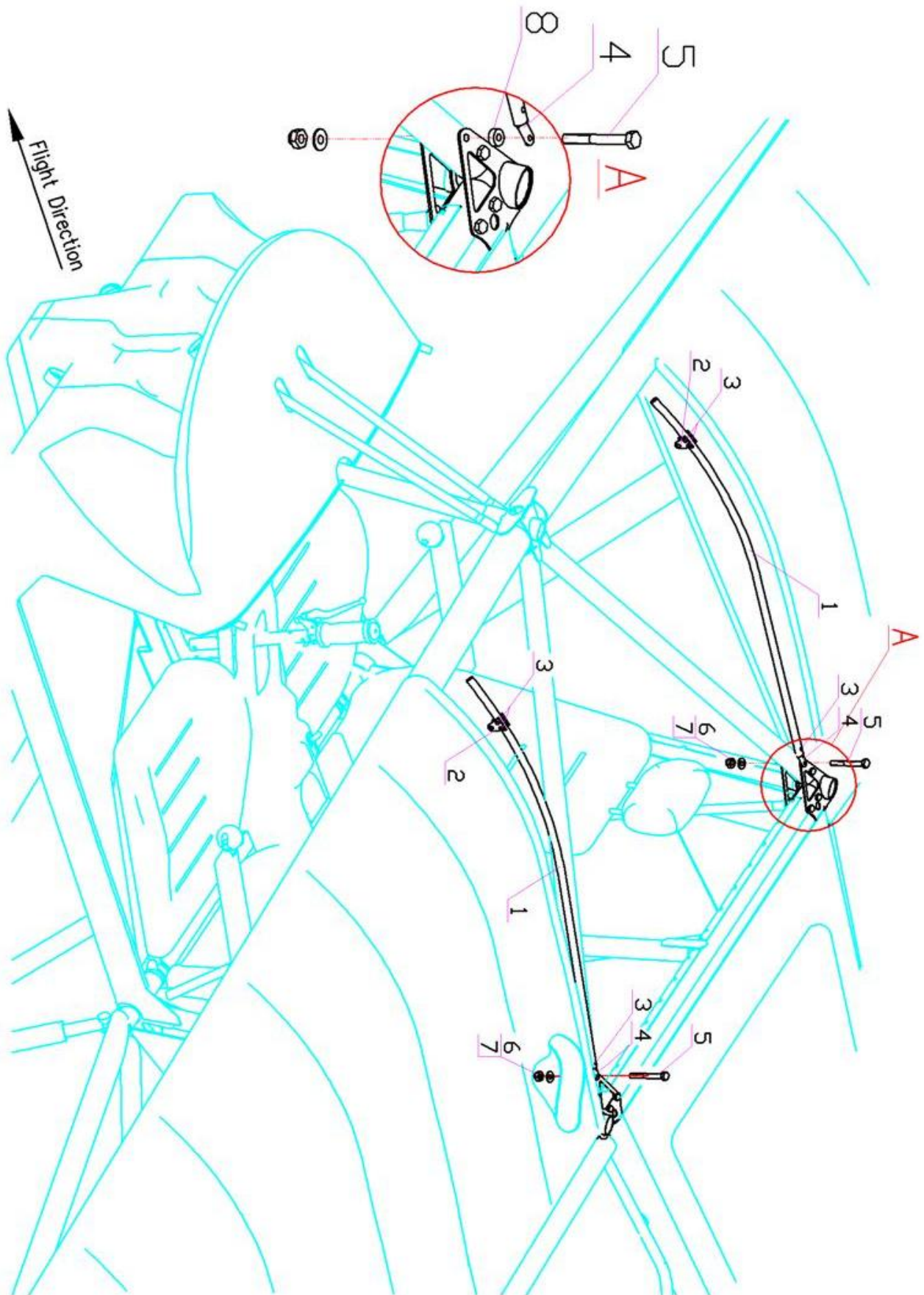


Section 108 Windscreen installation

No.	Description	Qty each	Qty Total	Part No:
1	Wind screen batten	2	2	CH-00-15031
2	Bracket	4	4	CH-00-15033
3	Pop rivet 4.8 x 10 St Steel	10	10	
4	Goose foot top	2	2	CH-00-15032
5	Bolt M6 x 60	2	2	
6	Washer M6 x 12	2	2	
7	Nylock Nuts M6	2	2	
8	spacer	2	2	CH-00-21100-36



108_1 Windscreen installation



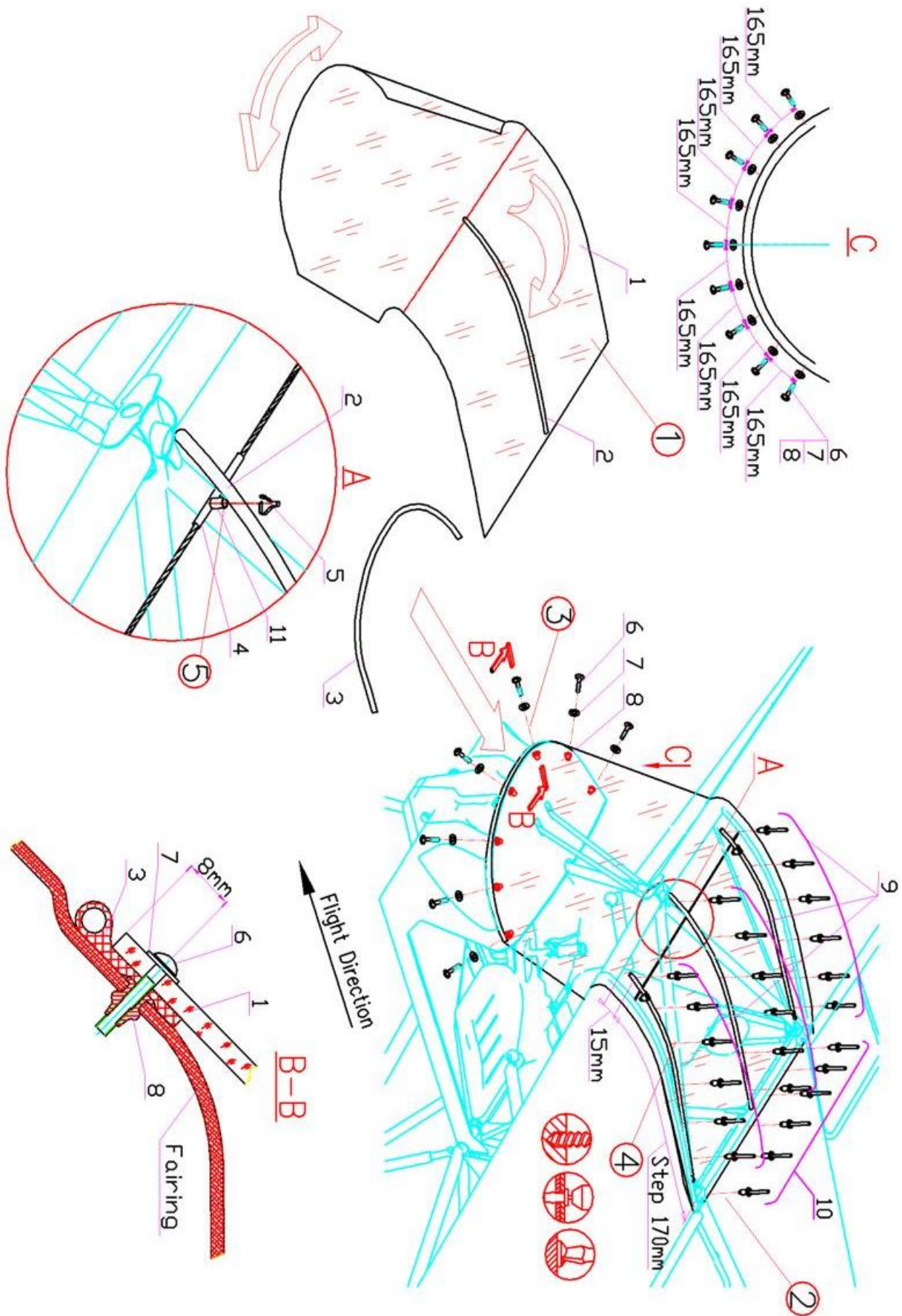


Section 109 Windscreen installation continued

No.	Description	Qty each	Qty Total	Part No:
1	Windscreen	1	1	CH-00-15000
2	Centre windscreen batten	1	1	CH-00-15011
3	Rubber PP110 - 1400mm	1	1	CH-00-10006
4	Pneumatic Airline di. 4.0 x 100	1	1	
5	Tie wrap Small	1	1	
6	Machine Screws M4 x 16	9	9	
7	Washer M4	9	9	
8	Rivet Nuts M4 x 10	9	9	
9	Pop rivet 3.2 x 10 Aluminum	18	18	
10	Pop rivet 3.2 x 10 Aluminum	10	10	
11	Pneumatic Airline di. 4.0 x 14	1	1	



109_1 Windscreen installation continued



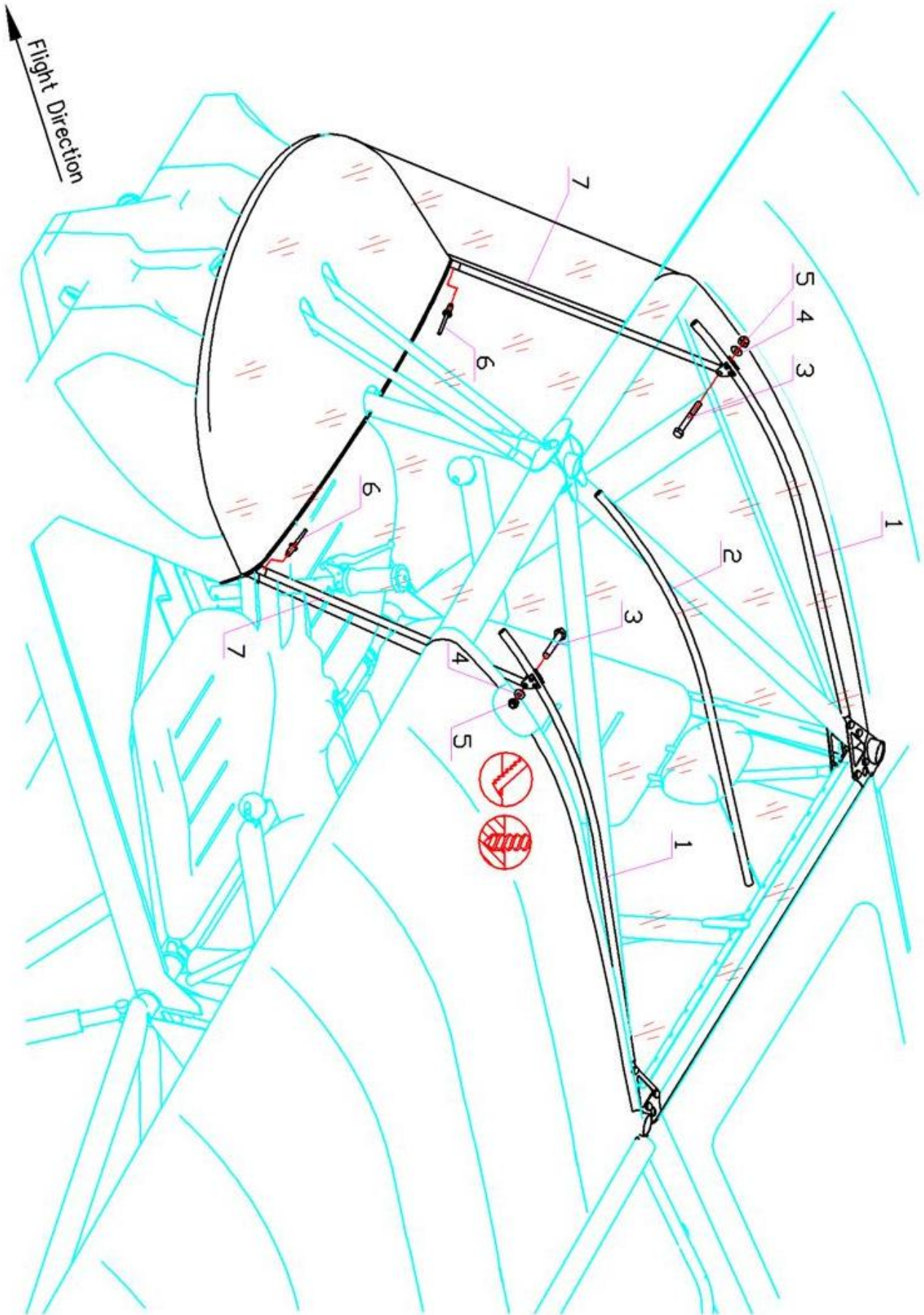


Section 110 Windscreen installation continued

No.	Description	Qty each	Qty Total	Part No:
1	Section 109			
2	Section 110			
3	Bolt M4 x 30	2	2	
4	Washer M4	2	2	
5	Nylock Nuts M4	2	2	
6	Pop rivet 3.2 x 10 St. Steel	2	2	
7	Support Beam	2	2	CH-00-10005



110_1 Windscreen installation continued



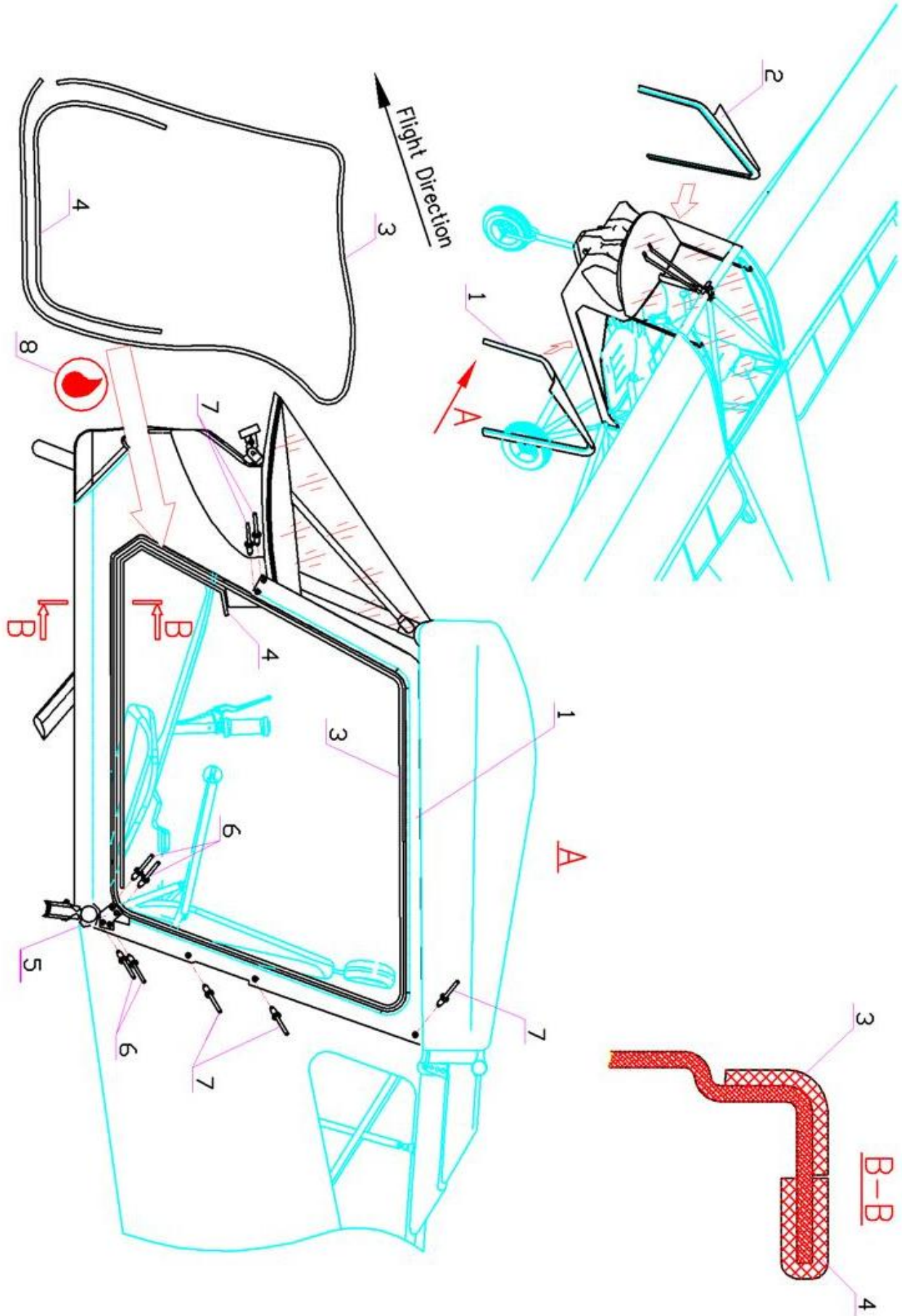


Section 111 Windscreen installation continued

No.	Description	Qty each	Qty Total	Part No:
1	Door Frame-Left	1	1	CH-00-14410-01
2	Door Frame-Right	1	1	CH-00-14410-02
3	L Rubber 1,5 x 3600	2	2	CH-00-19122
4	U Rubber 1,5 x 1400	2	2	CH-00-19108
5	Plate	2	2	CH-00-10009
6	Pop rivet 3.2 x 10 Aluminum	8	8	
7	Pop rivet 3.2 x 12 Aluminum	10	10	
8	Quick tite (Super Glue)	1	1	



111_1 Windscreen installation continued



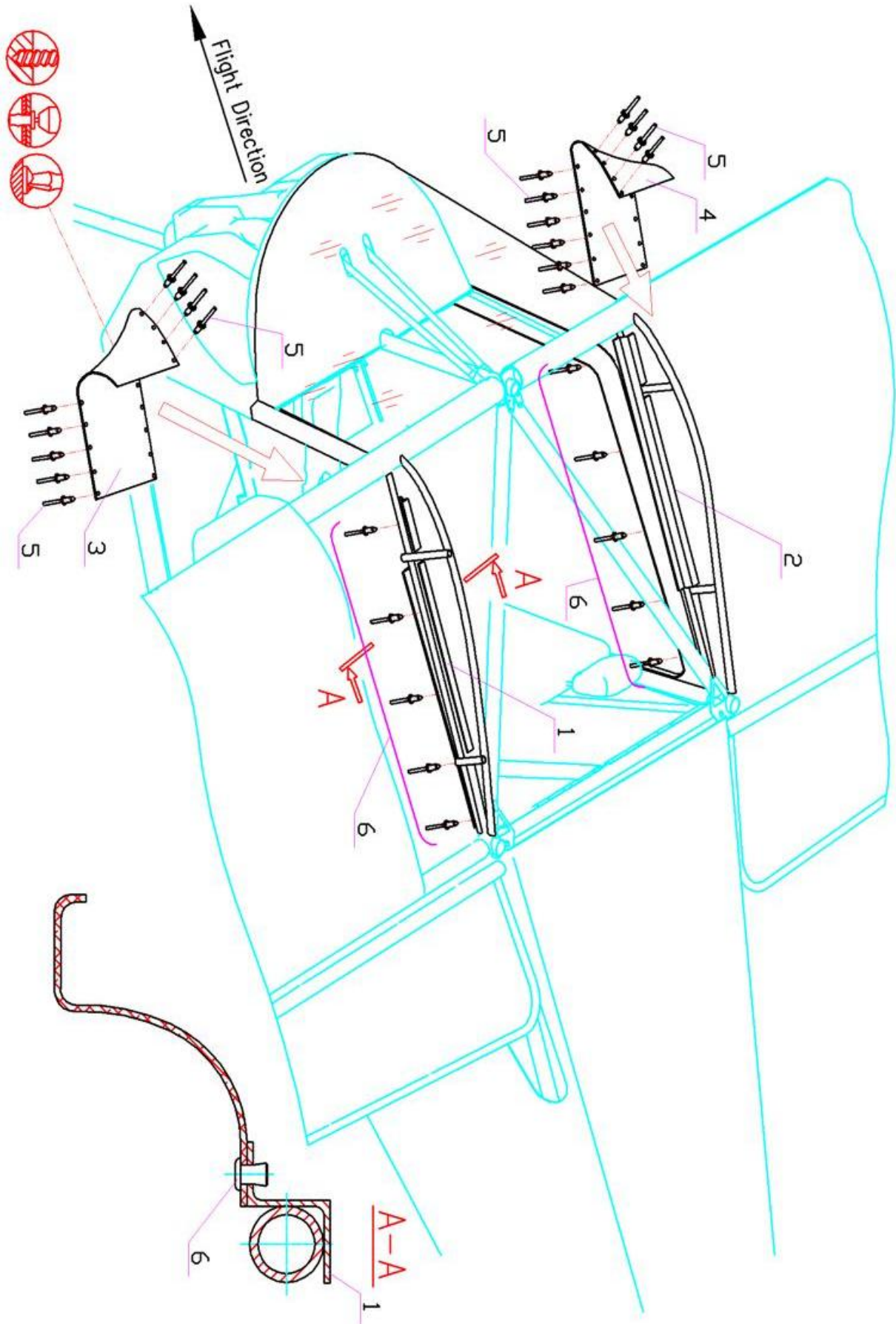


Section 112 Door frame & wing fairing installation

No.	Description	Qty each	Qty Total	Part No:
1	Door Frame Support - Left	1	1	CH-00-14420
2	Door Frame Support - Right	1	1	CH-00-14420
3	Wing base fairing - Left	1	1	CH-00-04410-01
4	Wing base fairing - Right	1	1	CH-00-04410-02
5	Pop rivet 3.2 x 10 Aluminum	16	16	
6	Pop rivet 3.2 x 10 Aluminum	18	18	



112_1 Door frame & fairing installation

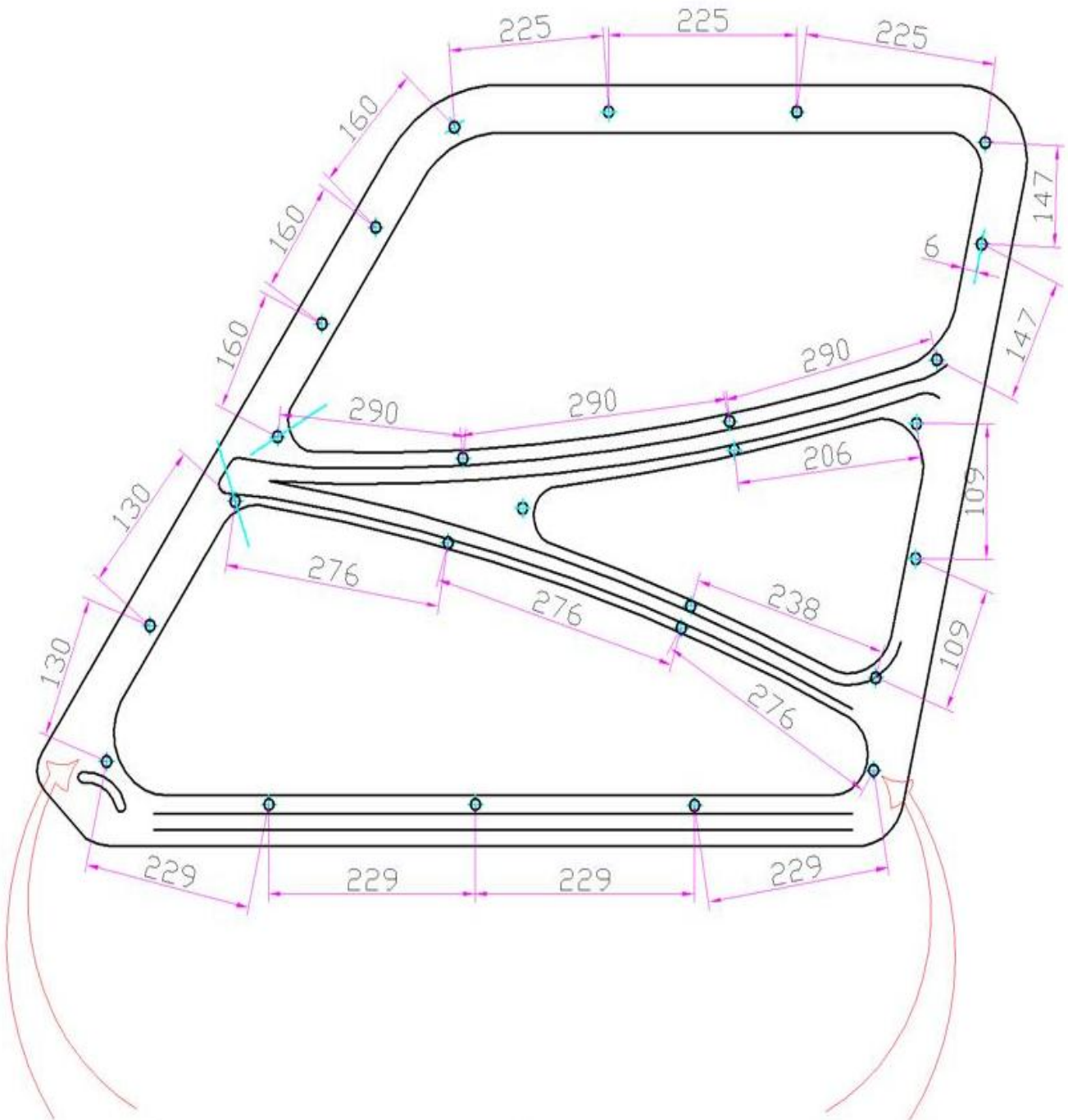


**Section 113 Door assembly**

No.	Description	Qty each	Qty Total	Part No:
1	Door Left/Right	1	2	CH-00-14100-01/02
2	Top window	1	2	CH-00-14001
3	Bottom window	1	2	CH-00-14003
4	Centre window	1	2	CH-00-14002
5	Piano hinge	2	4	CH-00-14012
6	Pop rivet 3.2 x 10 Al	8	16	
7	Washer M3	8	16	
8	"Snap" Air Vents (special order)	1	2	
9	Pop rivet 3.2 x 10 Alumun	44	88	
10	Washer M3	44	88	
11	Nylock Nuts M3	44	88	
12	Horizontal lever	1	2	CH-00-14300
13	Latch	2	4	CH-00-14004
14	Machine screws M4 x 20 (Black)	2	4	
15	Bolt M4 x 30	2	4	
16	Washer	2	4	CH-00-14008
17	Washer	2	4	CH-00-14005
18	Bolt M4 x 35	1	2	
19	Ball	2	4	CH-00-14006
20	Lever pin	1	2	CH-00-14007
21	Bungee cord di .5.0 x 450	1	2	CH-00-14009
22	Washer M4	3	6	
23	Nylock nut M4	3	6	
24	Ball	1	2	CH-00-14202
25	Pin Latch	1	2	CH-00-14201
26	Machine screws M3 x 12 (Black)	3	6	
27	Lock bracket	1	2	CH-00-14210
28	Rivet nut M3 x 10	3	6	
29	Spring 1	1	2	CH-00-14203
30	Washer M6 x 12	2	4	
31	Split Pin di 2.0 x 50	1	2	
32	Plate	1	2	CH-00-14011
33	Heat shrink white 4.8 x 50	1	2	
34	Top cover plate	1	2	CH-00-14013
35	Bottom cover plate	1	2	CH-00-14014
36	Pop rivet 3.2 x 8.0 Aluminum	8	16	



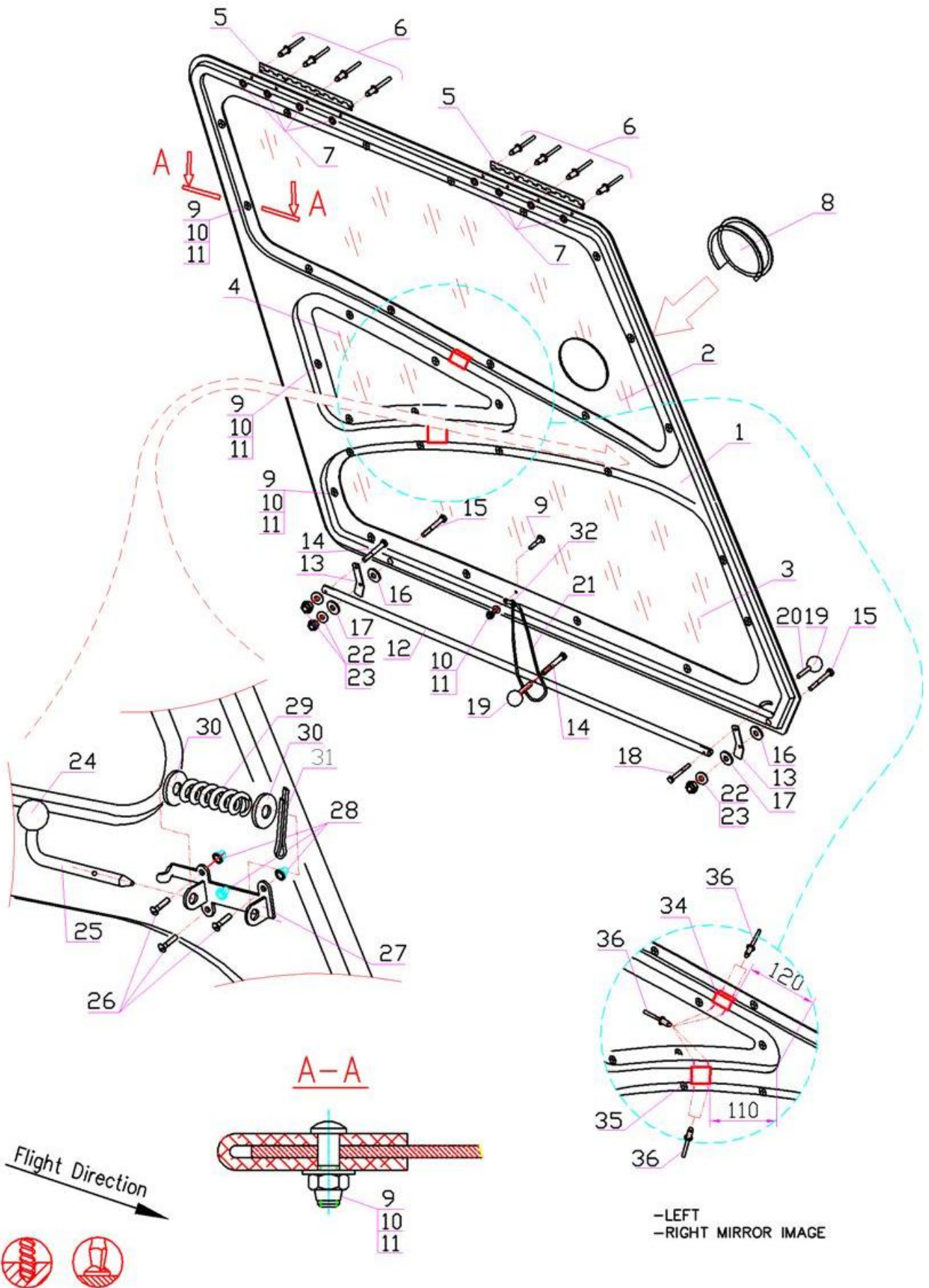
113_1 Door and window holes



Note: Start by drilling $\varnothing 3.2$ holes next to radius points and then use them as your reference point
Tolerance distance ± 2 mm



113_2 Door assembly



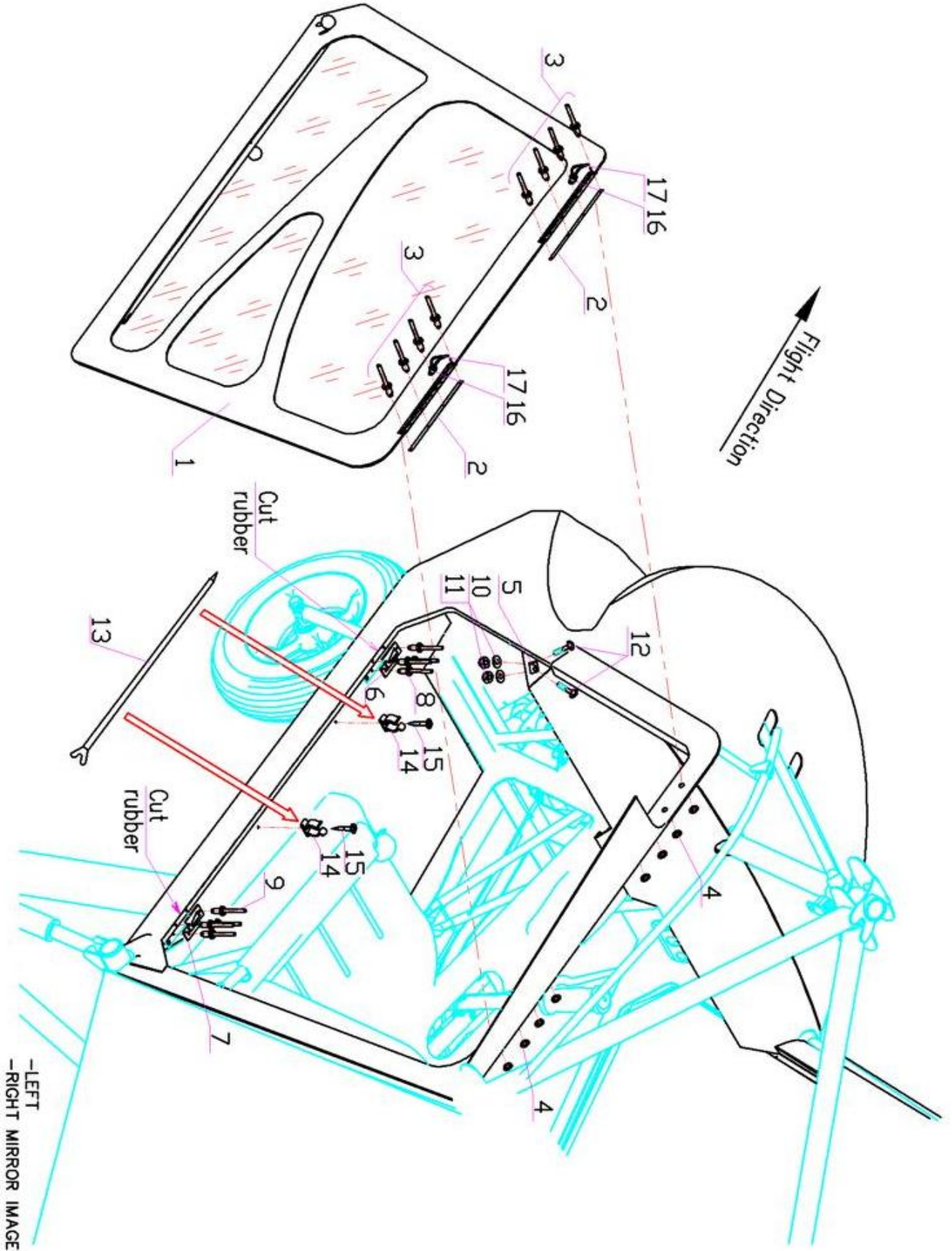


Section 114 Door installation

No.	Description	Qty each	Qty Total	Part No:
1	Section 114			
2	Hinge Back plate	2	2	CH-00-14402
3	Pop rivet 3,2 x 16 Aluminum	8	8	
4	Washer M3	8	8	
5	Lock slot	1	1	CH-00-19121
6	Lock slot	1	1	CH-00-19105
7	Lock slot	1	1	CH-00-19104
8	Pop rivet 3,2 x 16 Aluminum	4	4	
9	Pop rivet 3,2 x 10 Aluminum	4	4	
10	Washer M3	2	2	
11	Nylock nut M3	2	2	
12	Machine screws M3 x 10	2	2	
13	Door support	1	1	CH-00-04270
14	Clip Spring Tool 10mm	2	2	
15	Pozi Self Tap Screws M4 x 13	2	2	
16	Plate	2	2	CH-00-14011
17	Bungee cord di. 2.5 x 120	2	2	



114_1 Door installation



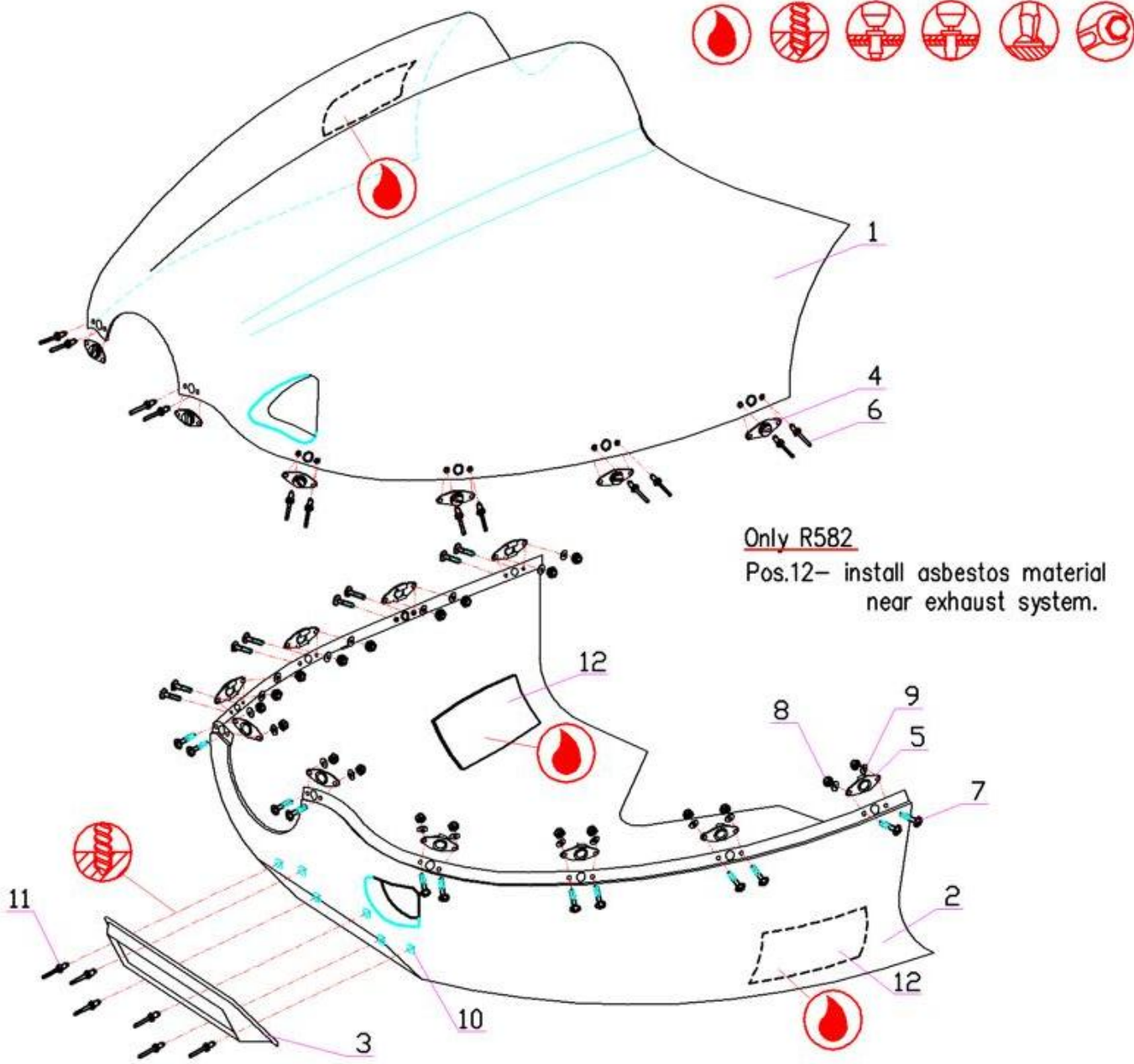


Section 115 Cowling assembly

No.	Description	Qty each	Qty Total	Part No:
1	Top cowling – Rotax 582	1	1	CH-00-19311
1	Top cowling – Rotax 912	1	1	CH-00-19321
1	Top cowling – Jabiru 2200	1	1	CH-00-19331
2	Bottom cowling	1	1	CH-00-19201
3	Radiator cover	1	1	CH-00-19204/5
4	Top clip	10	10	CH-00-19810
5	Bottom clip	10	10	CH-00-19820
6	Pop rivet 4.8 x 6 Aluminum	20	20	
7	Screw M4 x 12 CSK	20	20	
8	M4 Nylock nut	20	20	
9	M4 washer	20	20	
10	M3 washer	3	3	
11	Pop rivet 3.2 x 10 Aluminum	3	3	
12	Heat reflective material –Rotax 582	4	4	CH-00-19203



115_1 Cowling assembly



Only R582
Pos.12- install asbestos material near exhaust system.

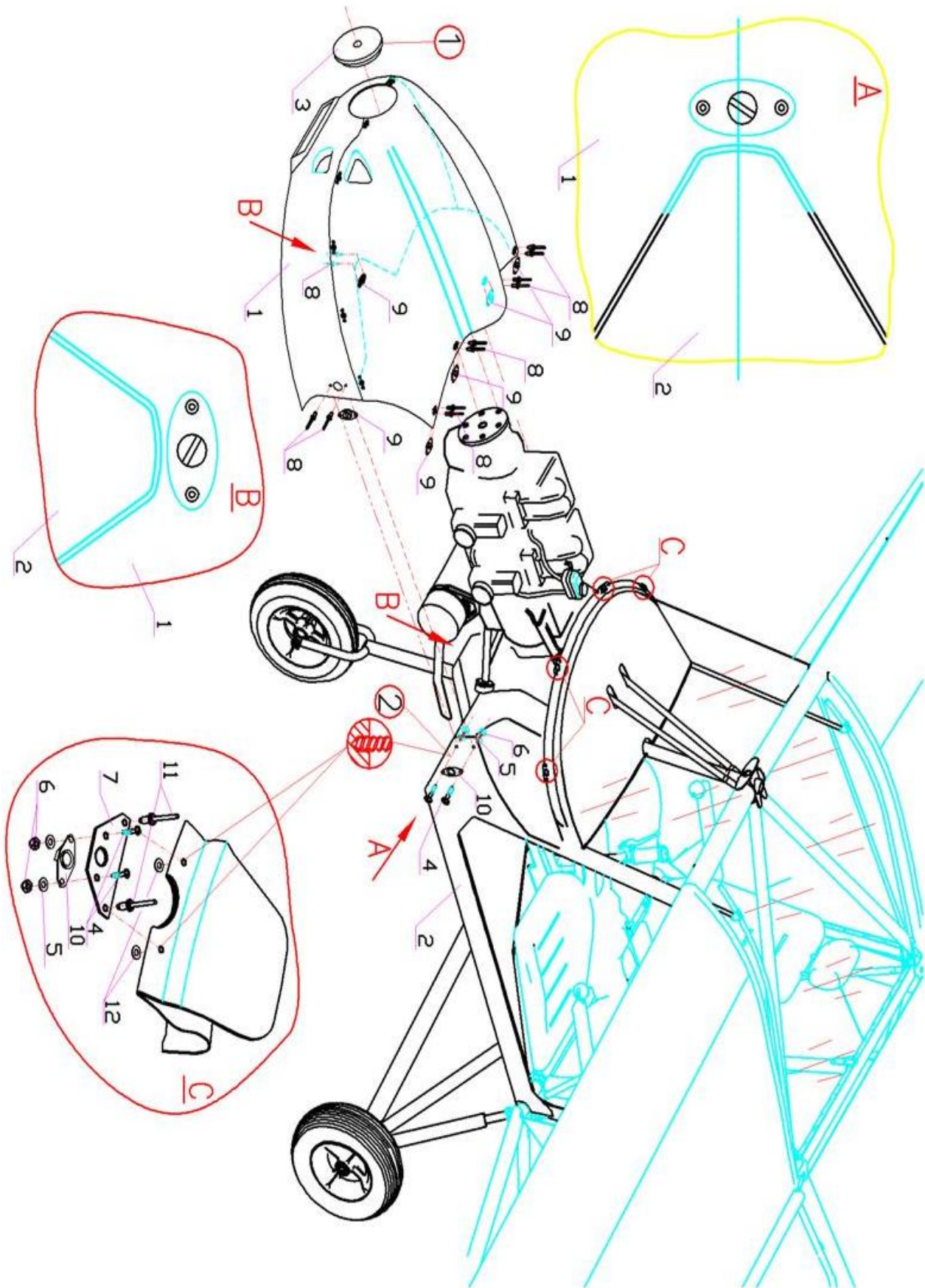


Section 116 Cowling installation

No.	Description	Qty each	Qty Total	Part No:
1	Bottom cowling	1	1	CH-00-19311
2	Main fairing	1	1	CH-00-19321
3	Wooden flange	1	1	CH-00-19310
4	Screw M4 x 12 CSK	12	12	
5	M4 washer	12	12	
6	M4 lock nut	12	12	
7	Plate	4	4	CH-00-19125
8	Pop rivet 3.2 x 10 Aluminum	14	14	
9	Male clip	7	7	CH-00-19810
10	Female clip	7	7	CH-00-19820
11	Pop rivet 3.2 x 12 Aluminum	8	8	
12	M3 washer	8	8	



116_1 Cowling installation



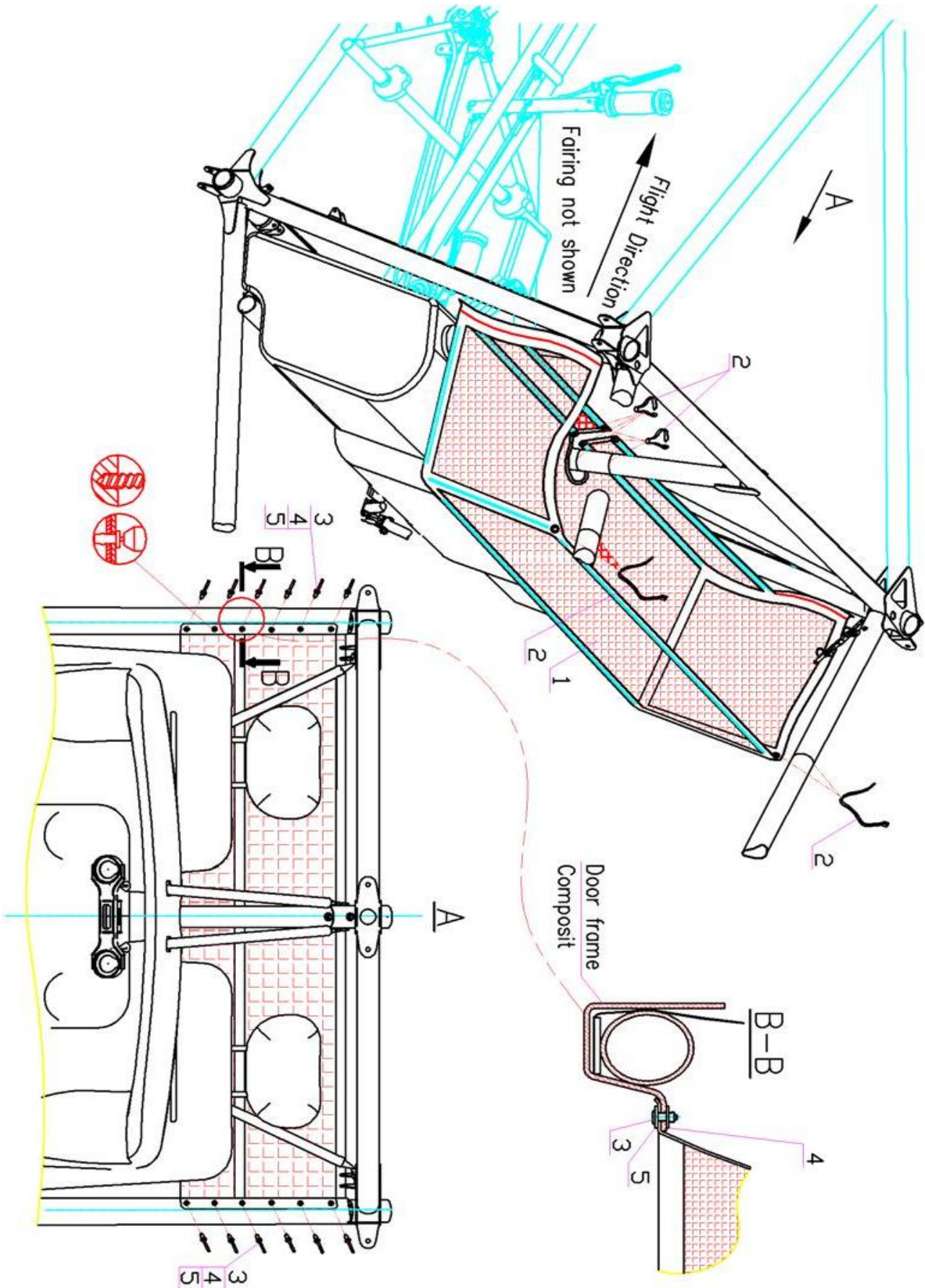


Section 117 Luggage compartment

No.	Description	Qty each	Qty Total	Part No:
1	Luggage compartment	1	1	CH-00-18000
2	Tie wrap 7.8 x 390	4	4	
3	Pop rivet 3.2 x 10 Aluminum	12	12	
4	M3 washer – inside	12	12	
5	M4 washer - outside	12	12	



117_1 Luggage compartment





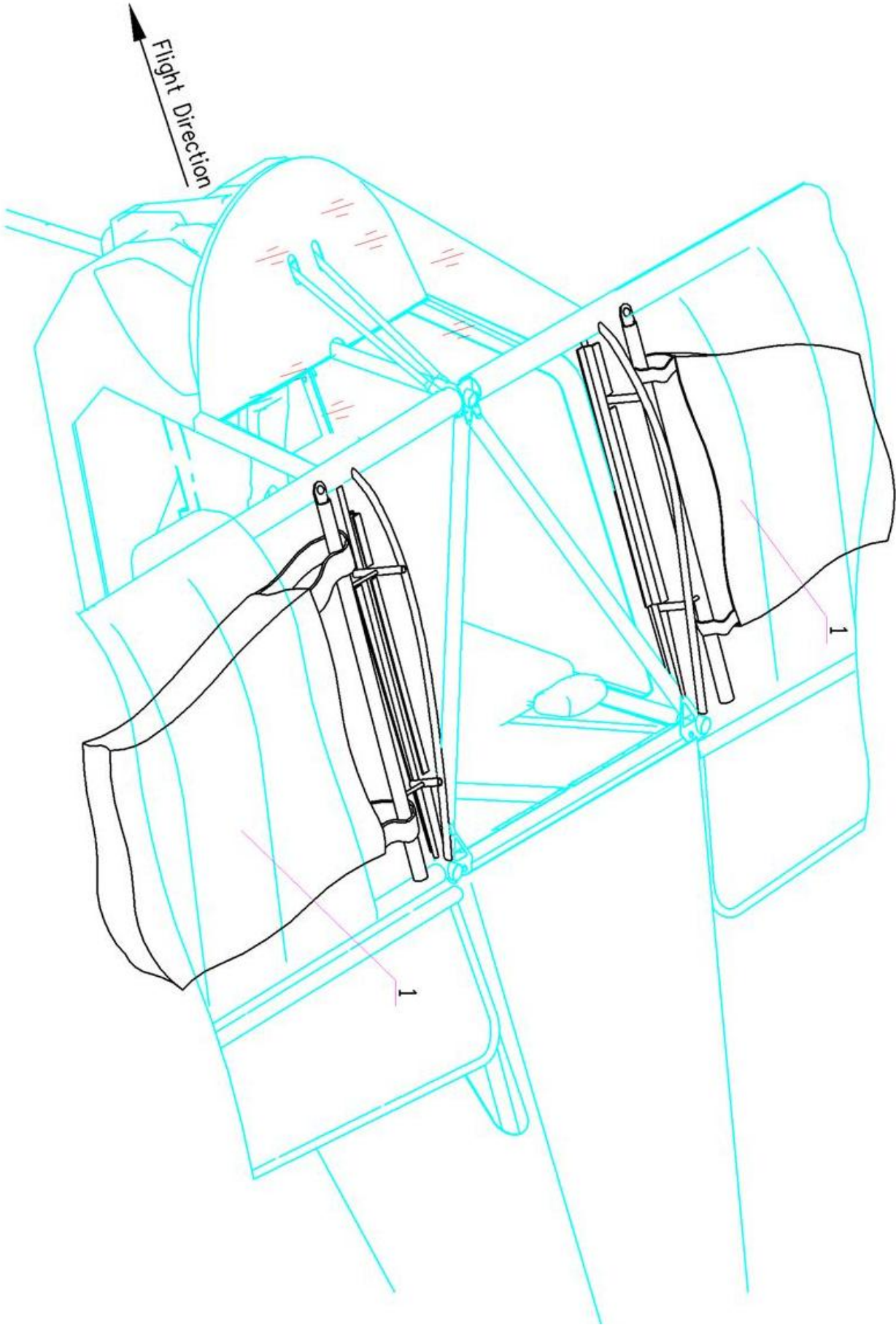
Section 118 Wing Luggage compartment

No.	Description	Qty each	Qty Total	Part No:
1	Wing Luggage compartment	1	1	CH-00-04390

Note: Cheetah wing luggage compartment is supplied on special request and doesn't form part of standard equipment supplied with Cheetah airframe kit.



118_1 Wing Luggage compartment



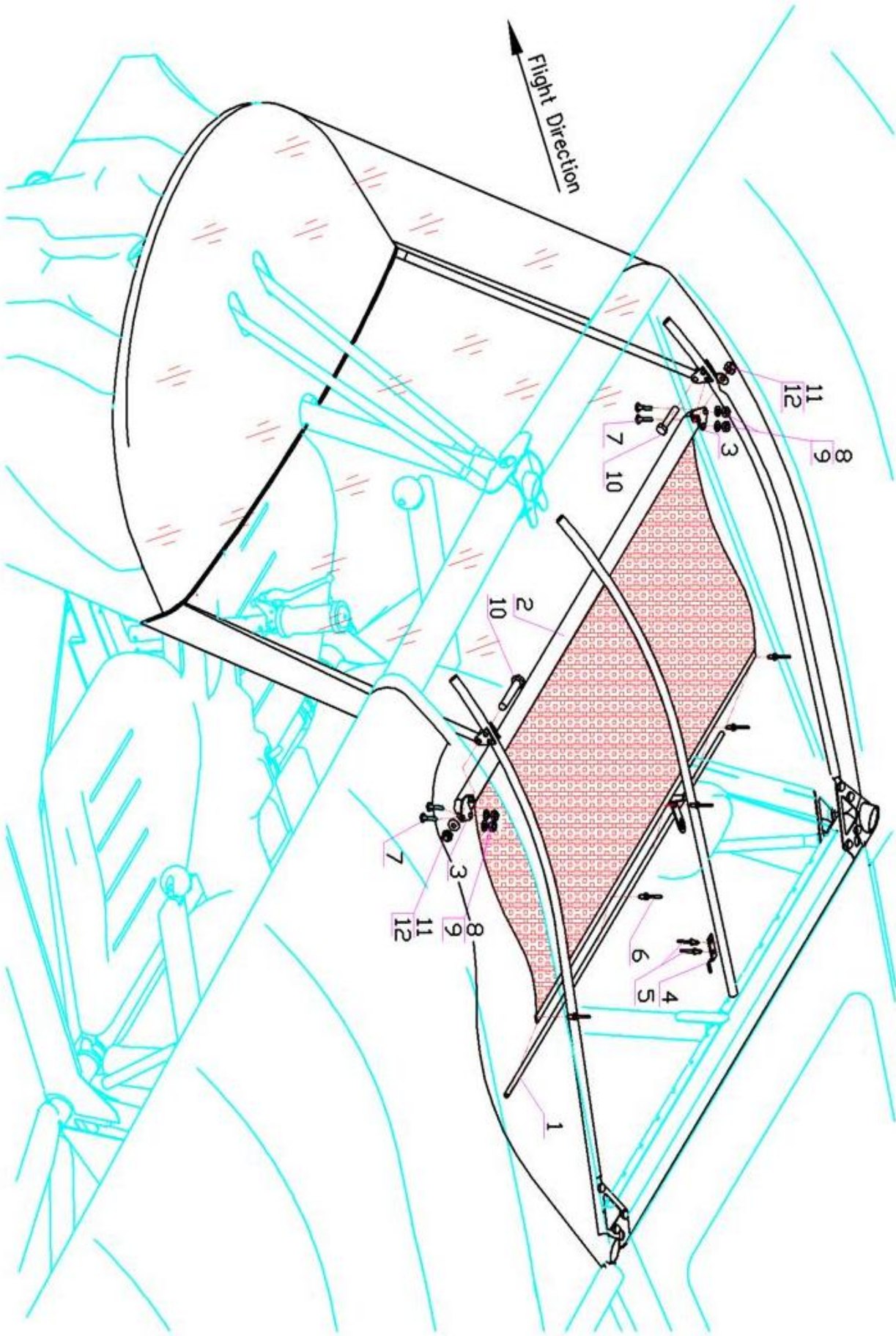


Section 119 Sun shield installation

No.	Description	Qty each	Qty Total	Part No:
1	Sun shield tube	1	1	CH-00-04373
2	Sun shield	1	1	CH-00-04370
3	Sun shield bracket	2	2	CH-00-04372- 01/02
4	Sun shield hook	1	1	CH-00-15012
5	Pop rivet 3.2 x 8 Aluminum	2	2	
6	Pop rivet 3.2 x 10 Aluminum	5	5	
7	Machine screws M5 x 12	4	4	
8	Washer M5 x 10	4	4	
9	M5 Nylock nut	4	4	
10	Bolt M4 x 30	2	2	
11	Washer M4	2	2	
12	M4 Nylock nut	2	2	



119_1 Sun shield installation





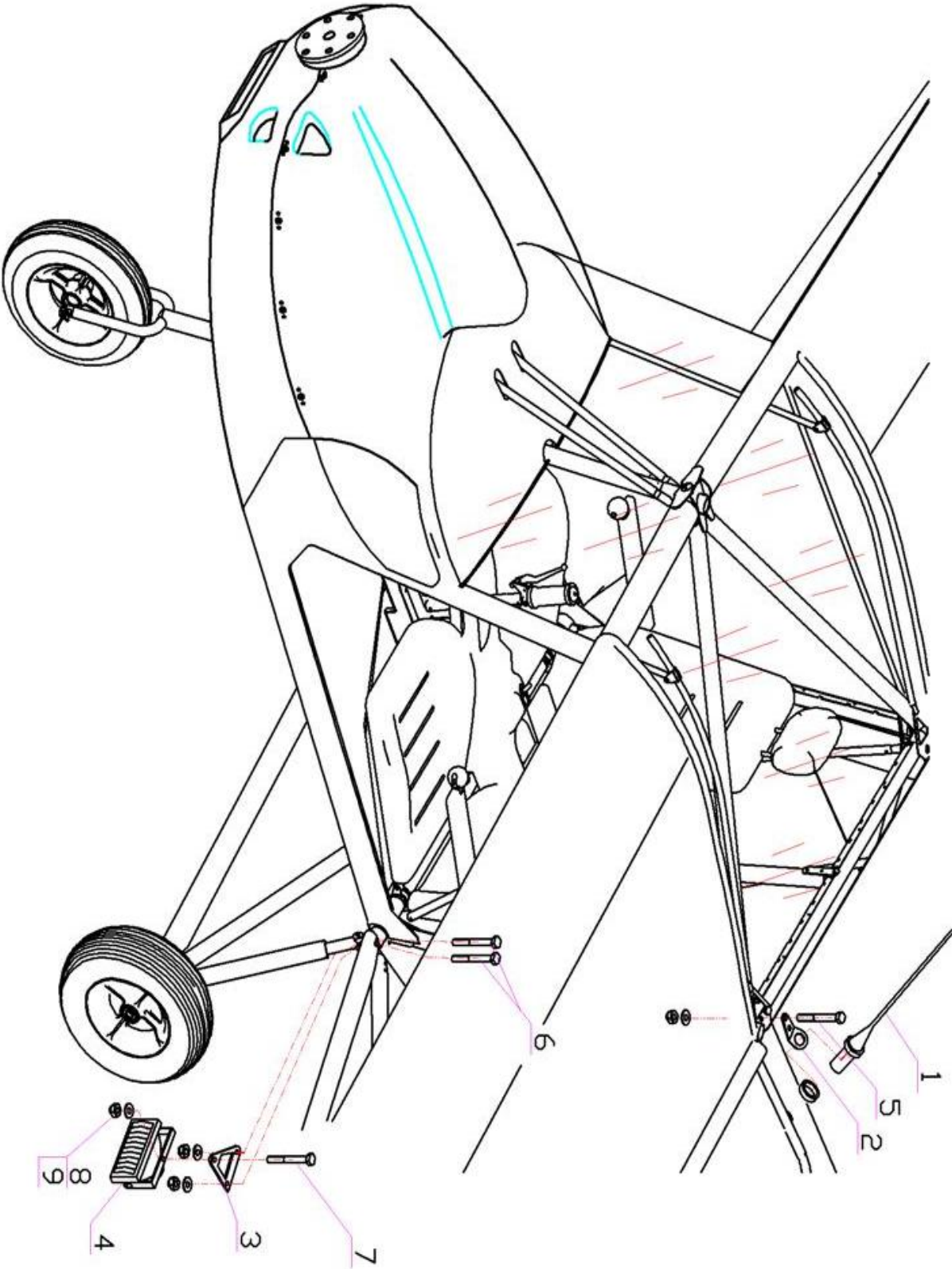
Section 120 Antenna and Spot light installation

No.	Description	Qty each	Qty Total	Part No:
1	Antenna	1	1	CH-00-04280
2	Antenna bracket	1	1	CH-00-00015
3	Spot light bracket	2	2	CH-00-00034
4	Spot light	2	2	
5	Bolt M6 x 60	1	1	
6	Bolt M6 x 45	4	4	
7	Bolt M6 x 15	2	2	
8	Washer M6 x 12	7	7	
9	M6 Nylock nut	7	7	

Note: Cheetah Antenna and Spot lights are supplied on special request and doesn't form part of standard equipment supplied with Cheetah airframe kit.



120_1 Antenna and Spot light installation





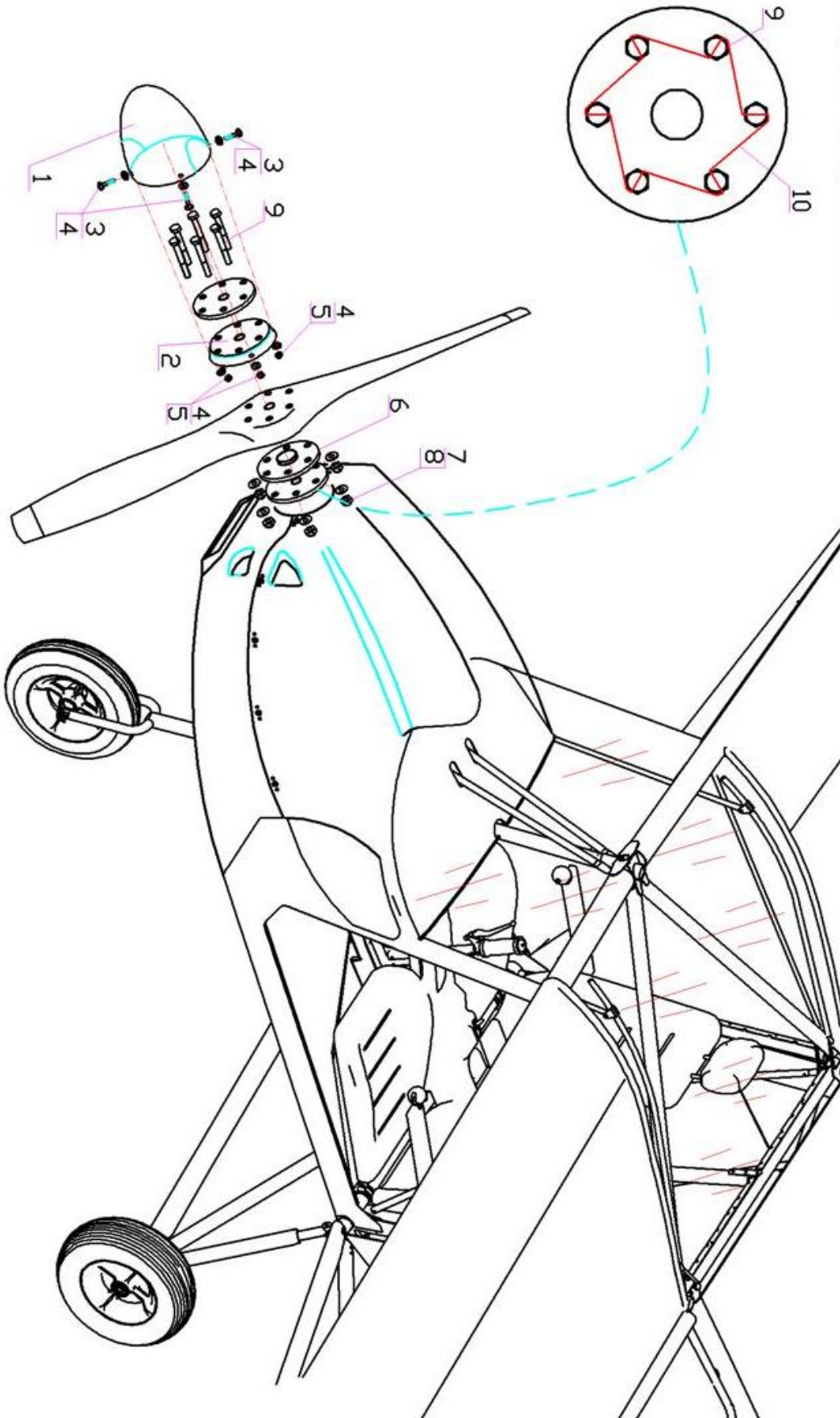
Section 121 Prop installation – (R582)

No.	Description	Qty each	Qty Total	Part No:
1	Prop spinner (depends on prop)	1	1	
2	Base (depends on prop)	1	1	
3	M4 washer / inside	4	4	
4	Machine screws M4 x 12	8	8	
5	M4 nylock nut	4	4	
6	Plate	1	1	
7	M8 nylock nut	6	6	
8	M8 washer	6	6	
9	Special bolt m8 x 130 (114 – for wood prop)	6	6	CH-00-51014
9	Bolt M8 x 90 – for warp drive prop	6	6	
10	Safety Wire \varnothing 1.0mm x 300mm	1	1	



121_1 Prop installation - (R582)

Insert Safety Wire through bolt heads





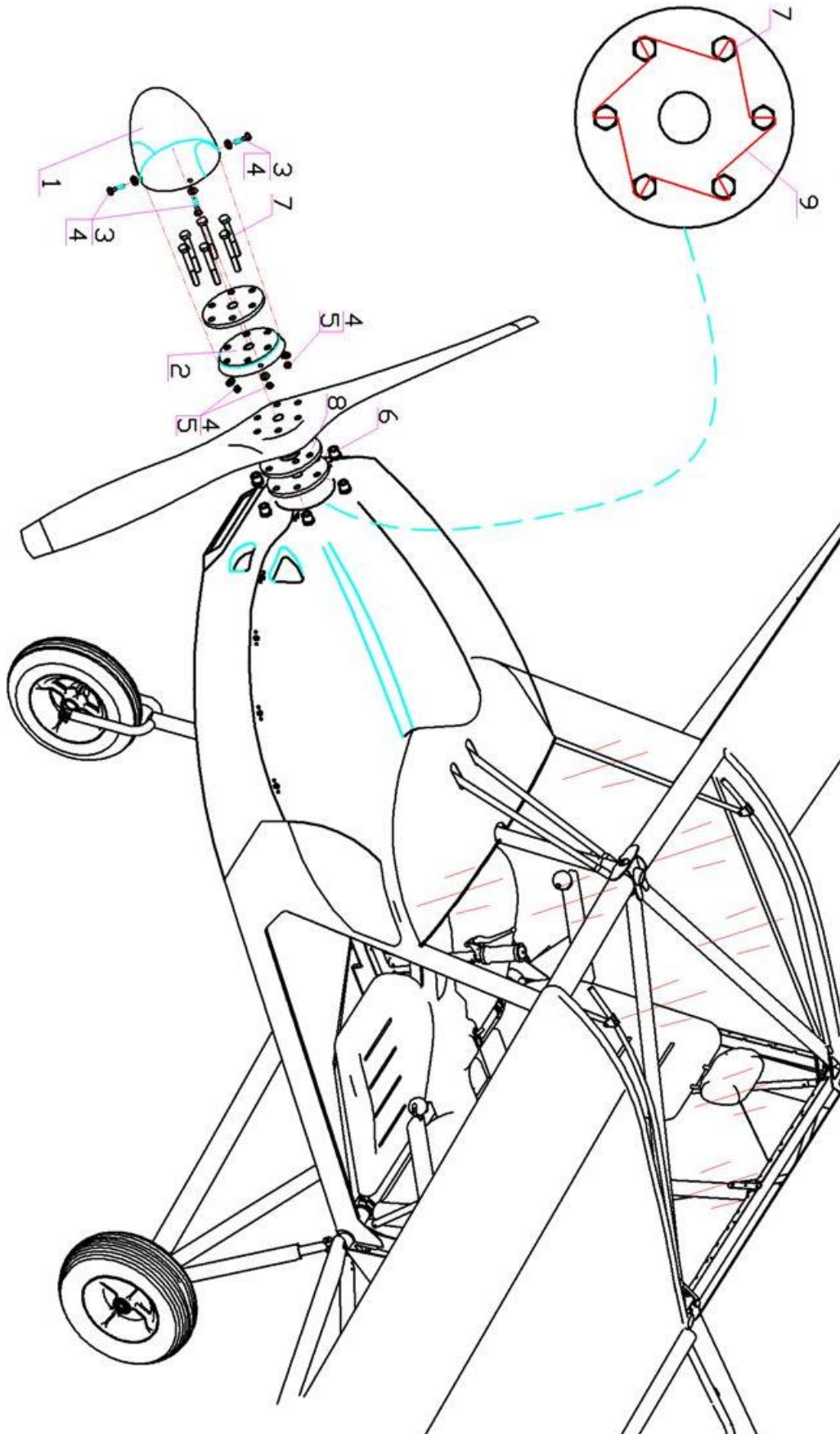
Section 122 Prop installation – (R912)

No.	Description	Qty each	Qty Total	Part No:
1	Prop spinner (depends on prop)	1	1	
2	Base (depends on prop)	1	1	
3	M4 washer / inside	4	4	
4	Machine screws M4 x 12	8	8	
5	M4 nylock nut	4	4	
6	bush	6	6	Engine
7	Bolt M8 x 120 (shank 90) – for wood prop	6	6	
7	Bolt M8 x 120 (shank 90) – for warp drive prop	6	6	
8	Plate	1	1	CH-00-52004
9	Safety Wire \varnothing 1.0mm x 300mm	1	1	



122_1 Prop installation - (R912)

Insert Safety Wire through bolt heads



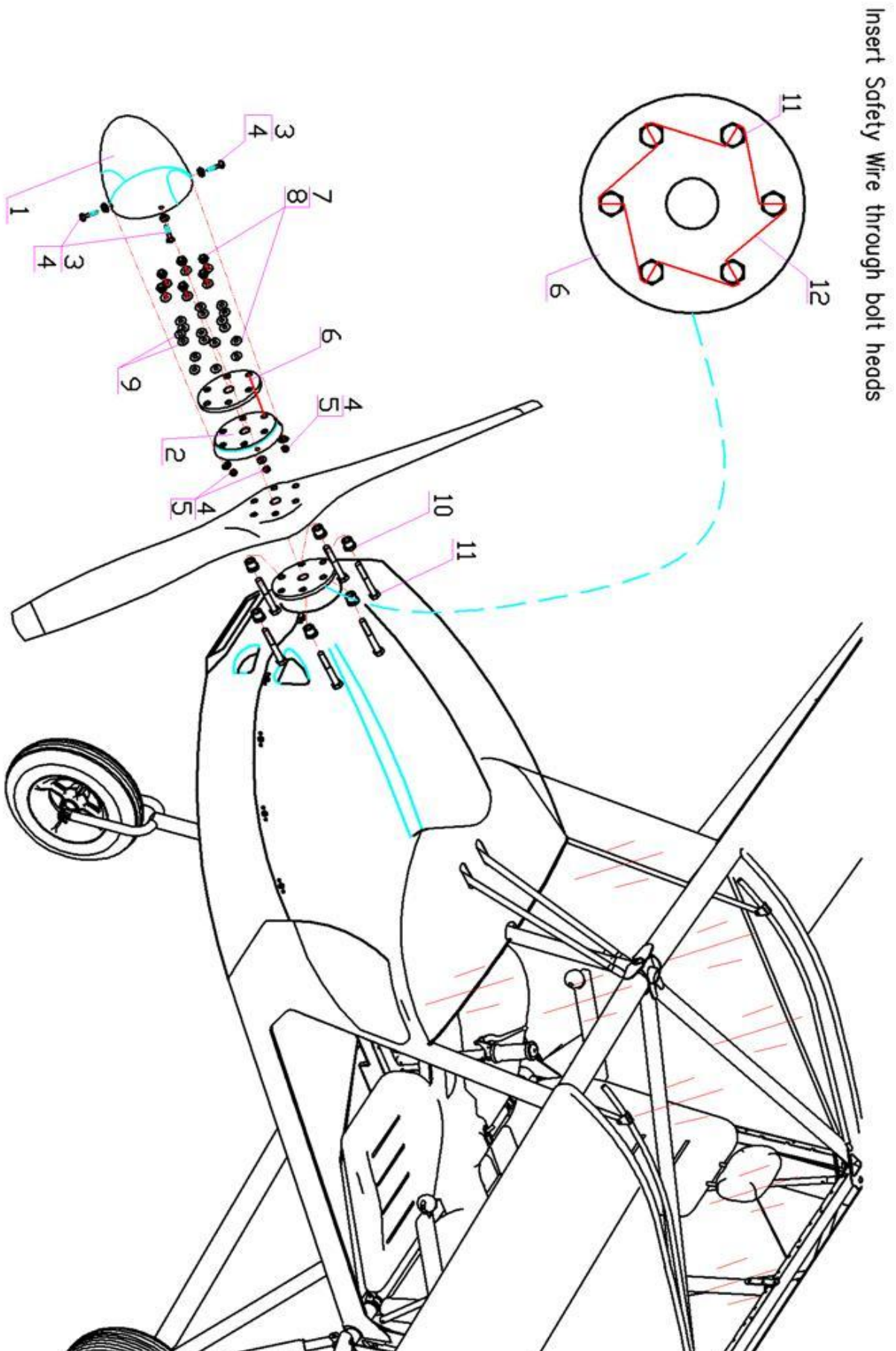


122_2 Prop installation - (Jabiru)

No.	Description	Qty each	Qty Total	Part No:
1	Prop spinner (depends on prop)	1	1	
2	Base (depends on prop)	1	1	
3	Machine screws M4 x 12	4	4	
4	M4 washer / inside	8	8	
5	M4 nylock nut	4	4	
6	Plate	1	1	CH-00-51111
7	M8 nylock nut	6	6	
8	M8 AN washer	12	12	
9	M8 Belvile washer	12	12	
10	Bush	6	6	CH-00-54123
11	Bolt M8 x 120 (shank 90)	6	6	
12	Safety Wire \varnothing 1.0mm x 300mm	1	1	



122_3 Prop installation - (Jabiru)



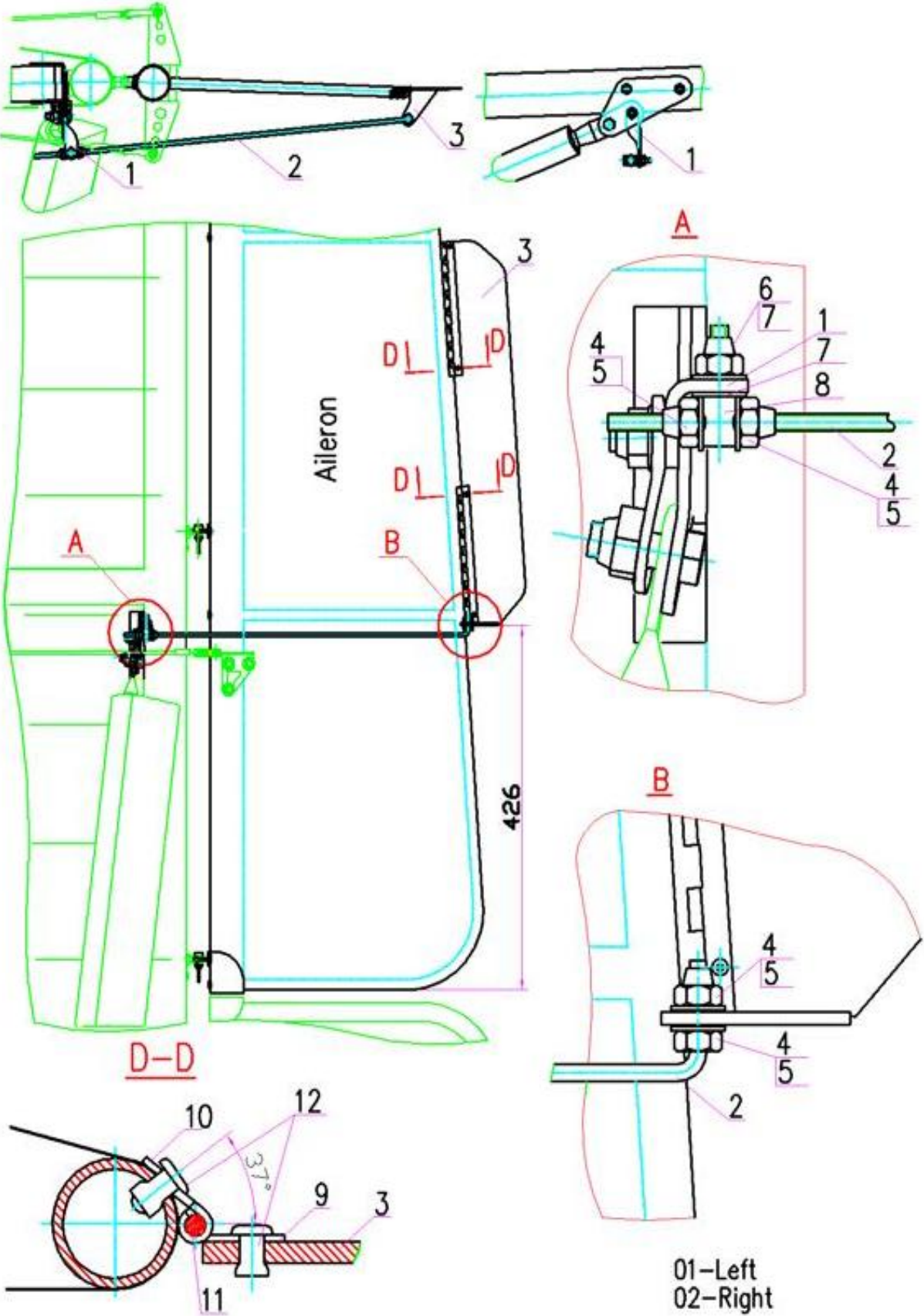


Section 123 Aileron aerodynamics compensation system

No.	Description	Qty each	Qty Total	Part No:
1	Bracket	1	2	CH-00-61702
2	Strap	1	2	CH-00-61720
3	Trimmer	1	2	CH-00-61710
4	Washer M4	4	8	
5	M4 nylock nut	2	4	
6	Special Washer M7	2	4	CH-00-00035
7	M6 nylock nut	1	2	
8	M6 Eye Bolt	1	2	
9	Piano Hinge	2	4	CH-00-61713
10	Piano Hinge	2	4	CH-00-61712
11	Pin	2	4	CH-00-61714
12	Pop Rivet di. 3.2 x 6 St Steel	12	24	



123_1 Aileron aerodynamic compensation system





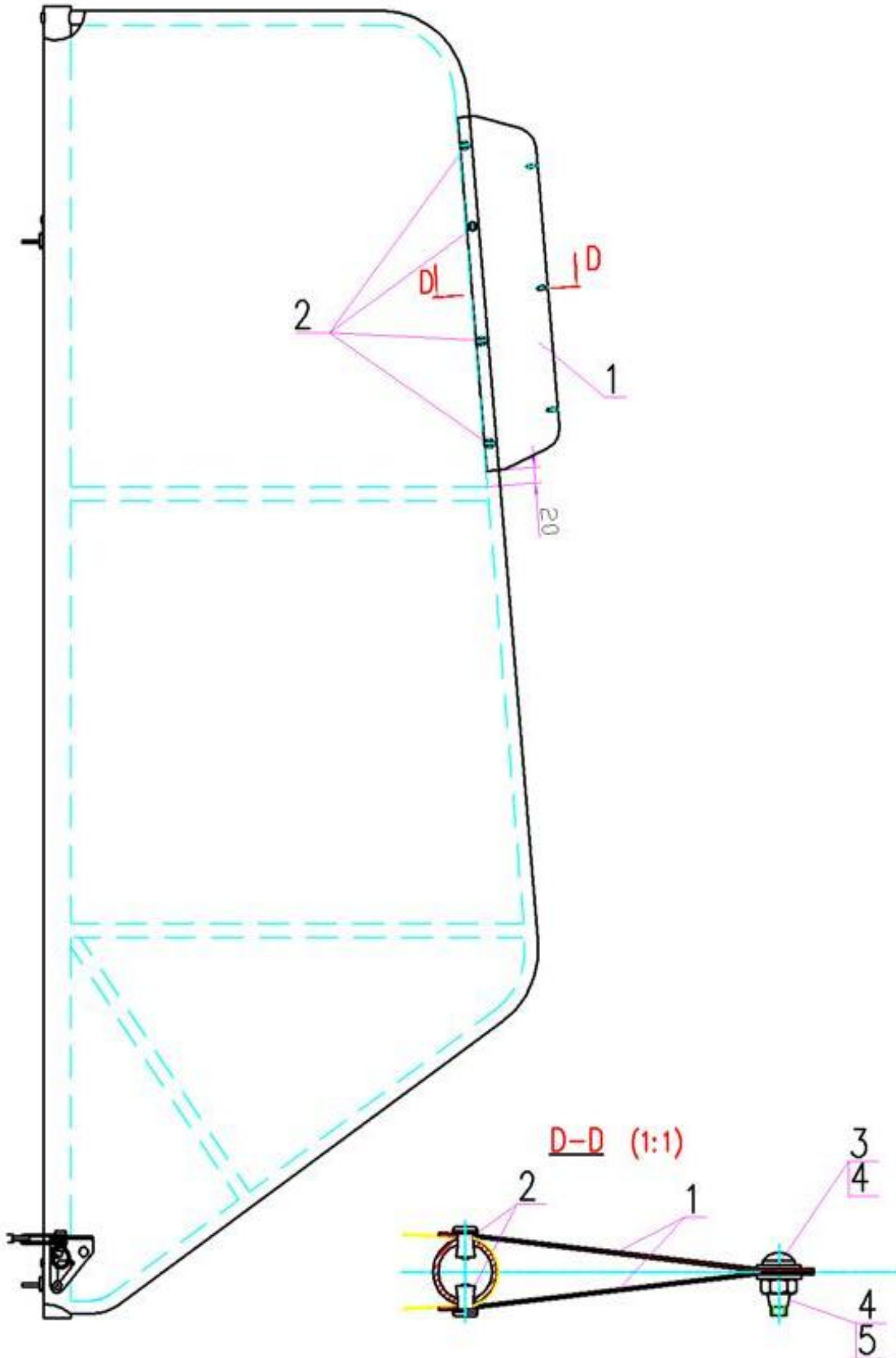
Section 124 Rudder trim system

No.	Description	Qty each	Qty Total	Part No:
1	Rudder trim system	2	2	CH-00-61702
2	Pop rivet di. 3.2 x 8 Aluminum	8	8	
3	Machine screw M3 x 10	3	3	
4	M3 Washer	6	6	
5	M3 nylock nut	3	3	

Note: Cheetah Aerodynamics compensating system is supplied on special request and doesn't form part of standard equipment supplied with Cheetah airframe kit.



124_1 Rudder trim system



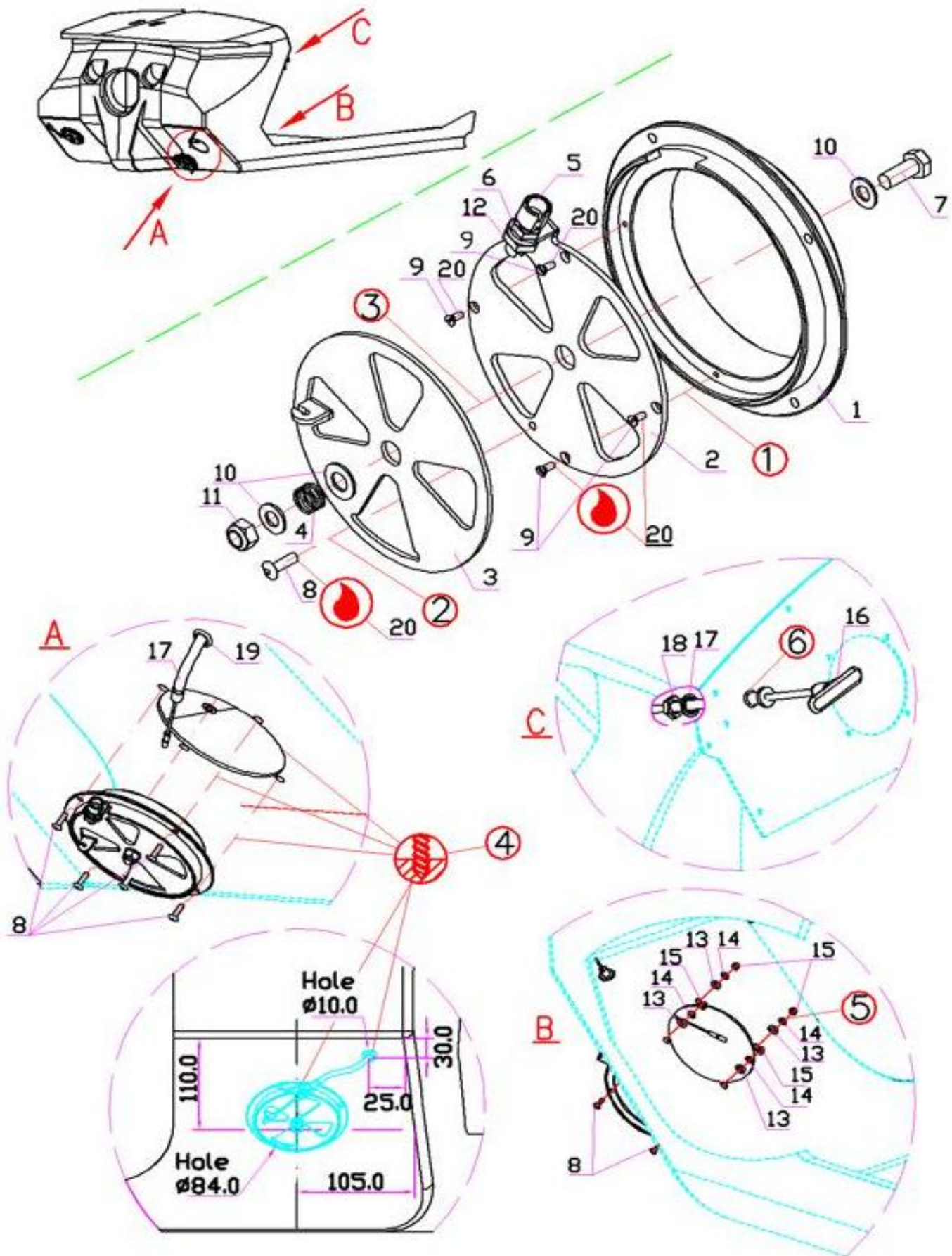


Section 125 Cabin heater system

No.	Description	Qty each	Qty Total	Part No:
1	Air – gate flange	1	2	CH-00-66211
2	Air – gate baffle plate	1	2	CH-00-66212
3	Air – gate shutter	1	2	CH-00-66213
4	Spring	1	2	CH-00-19810-13
5	Air – gate M6 adjuster bolt	1	2	CH-00-66214
6	M6 flat nut slotted	1	2	CH-00-66216
7	Bolt M6 x 16	1	2	
8	Machine screw M3 x 10	5	10	
9	Machine screw M2 x 4 CSK	4	8	CH-00-66215
10	M6 flat washer	3	6	
11	M6 lock nut	1	2	
12	M6 flat nut	1	2	
13	M4 flat washer	4	8	
14	M3 flat washer	4	8	
15	M3 nylock nut	4	8	
16	Air – gate control mechanism	1	2	CH-00-66220
17	Spring washer	1	2	CH-00-66223
18	Guiding rod nut	1	2	CH-00-66222
19	Grommet 10 x 6 x 1.6	1	2	
20	Loctite medium strength (not supplied)			



125_1 Cabin heater system

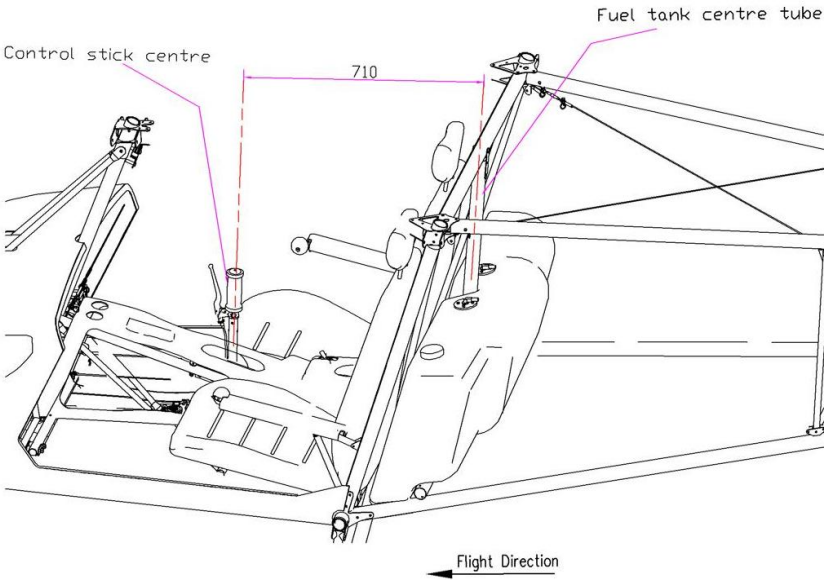




Section 126 Elevator setup



Step 1
 The vertical stabilizer
 And elevator must be
 Level as indicated in
 This picture.



Step 2
 Make sure the control stick
 Is in an upright position
 And make sure the distance
 between the centre of the
 control stick and the fuel
 Tank centre tube is 710mm
 +/- 5mm.

Step 3
 when step 1 and step 2 are
 correctly setup the control
 cables can be tensioned ,
 make sure these positions
 do not change while
 tensioning.

Control stick – Pushed forward (//)



Control stick – Pulled back





Section 127 Rudder setup



Step 1
Insert this Jig to align
The rudder controls, front
wheel must be straight.



Step 2
Make sure the vertical
stabilizer and Rudder are
inline as shown in this
picture.

Step 3
when step 1 and step 2 are
correctly setup the control
cables can be tensioned ,
make sure these positions
do not change while
tensioning.

Rudder in Full left turn



Rudder in Full right turn





Section 128 Aileron setup

**Step 1**

Insert clamps to align the ailerons with the Wing tip.

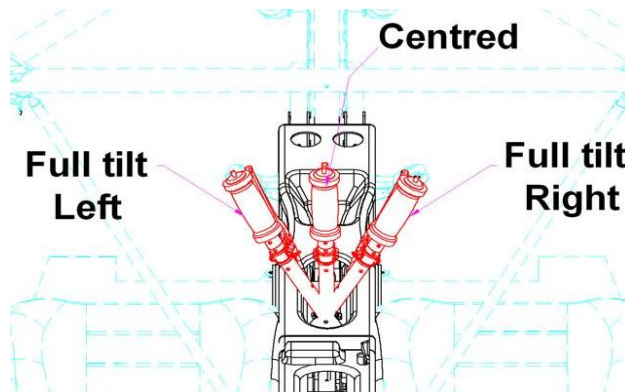
**Step 2**

Insert clamps to align the ailerons with The flaps.

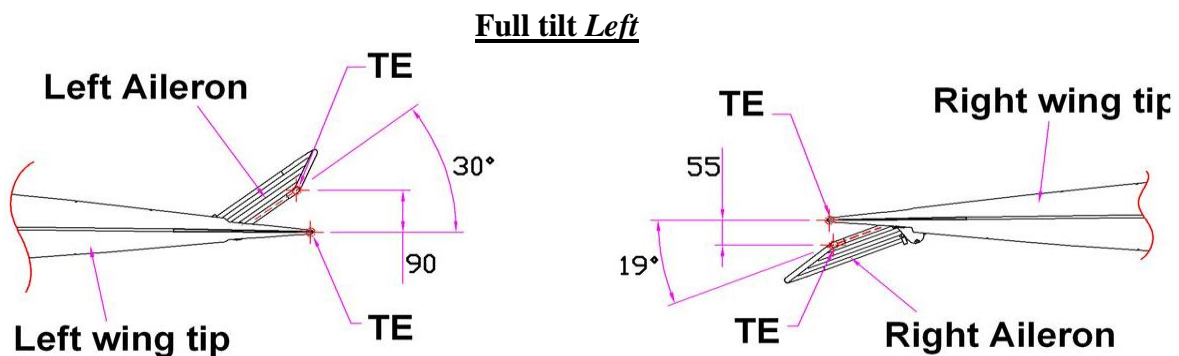
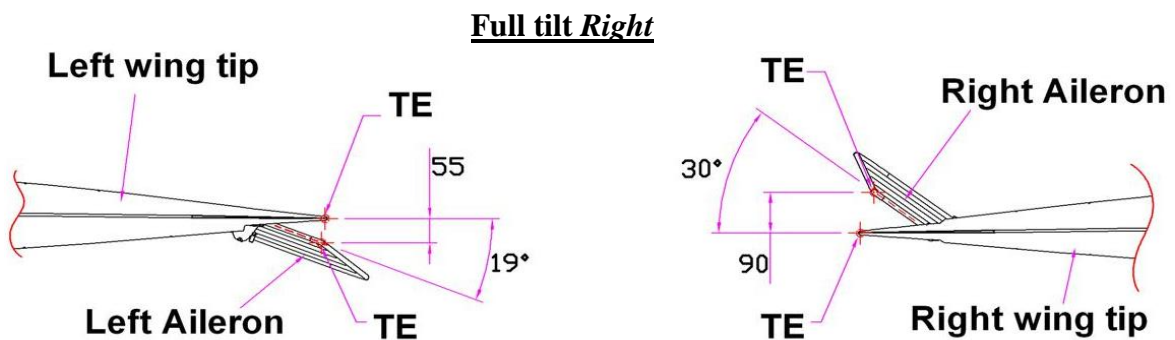
Step 3

Make sure the control stick is sitting upright and is in the centre of the consol .
When all these steps have been completed the aileron control cables
Can be tensioned .

*Deflection
Ratio = 1.7 : 1*



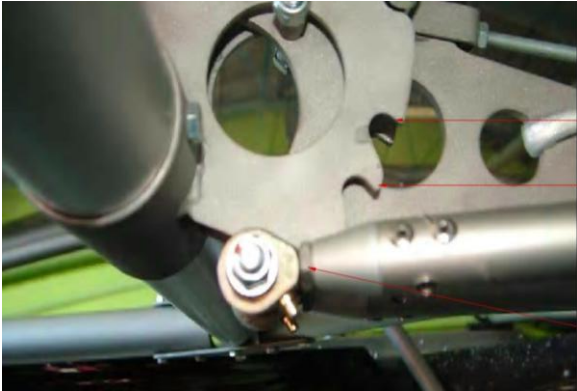
Note: It is not always easy to measure the angles so one can also measure the distance between the Trailing edge of the aileron and the Trailing edge of the wing tip to ensure the setup is correct. Measurements can differ by +/- 5.0mm .





Section 129 Flap setup

Flap control lever



Position 1

position 2

Push rods can be adjusted to fine tune The Flaps.

Note: Flap angles can differ by 3° depending on the adjustment of the push rods.

Flap position 1 - 18°

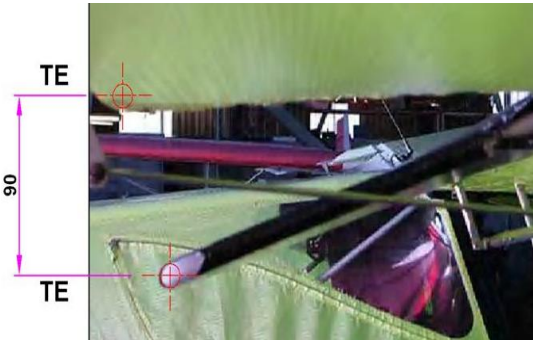


Flap position 2 - 26°



Note: It is not always easy to measure the angles so one can also measure the distance between the Trailing edge of the aileron and the Trailing edge of the flap to ensure The setup is correct. Measurements can differ by +/- 5.0mm

Flap position 1 – 90mm



Flap position 2 – 135mm





Section 130 Cable tensions



For an accurate Tension measurement use the correct cable tension gauge .e.g as indicated on the left.



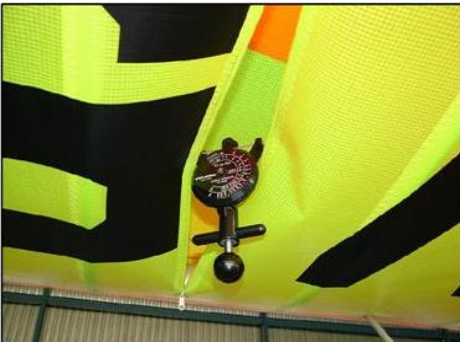
To get the correct tension reading for the vertical stabilizer top tension cable you need to position the cable tension gauge in the center of the cable as shown. The tension should be 60LBS on this cable.



To get the correct tension reading for the horizontal stabilizer bottom cable you need to position the cable tension gauge in the center of the cable as shown. The tension should be 60 LBS on this cable.



To get the correct tension reading for the fuselage tension cable you need to position the cable tension gauge in the center of the cable as shown. The tension should be 70 LBS on this cable.

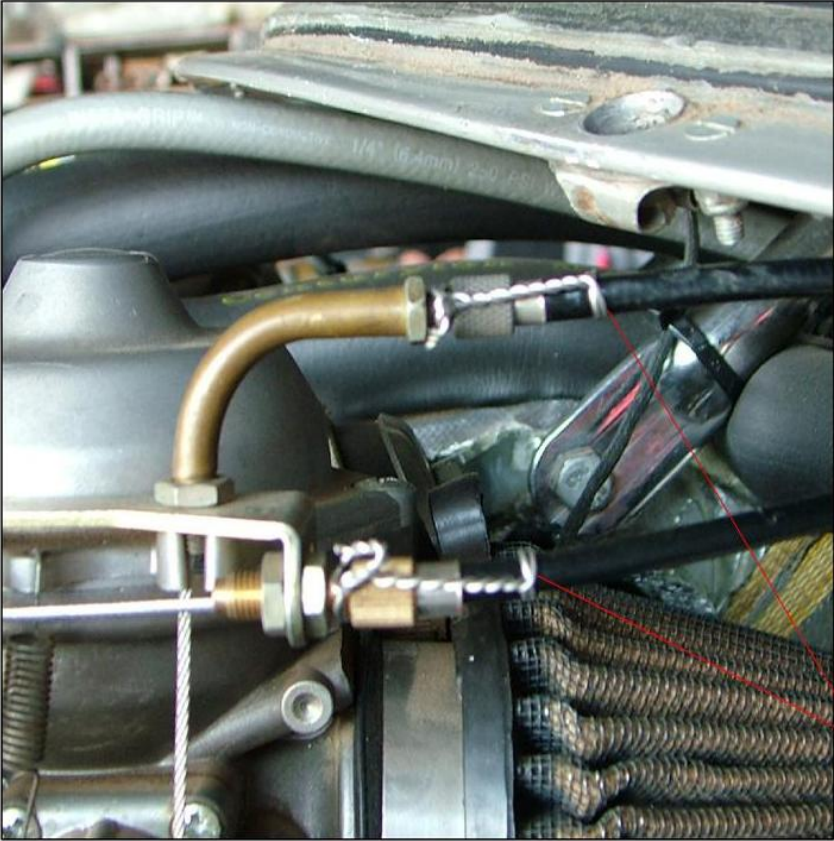


To get the correct tension reading for the main cable in the wing you need to position the cable tension gauge in the second zip from the cockpit,. The tension should be 350 LBS on this cable.

All the above tension readings can differ by 5%.

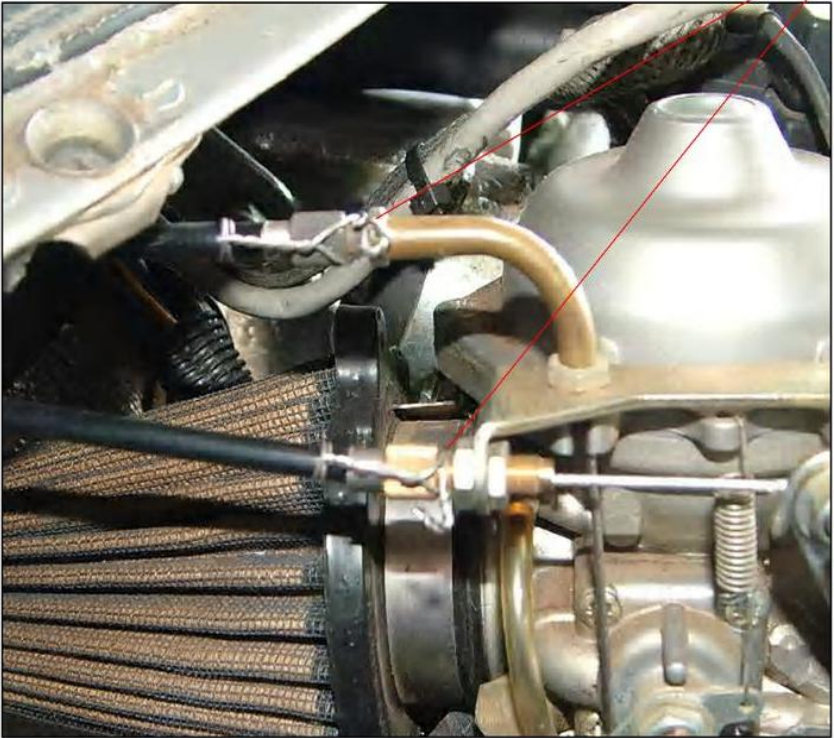


Section 131 Throttle and Choke Cable (Safety wire)



Apply safety wire of about 1.0mm in diameter around the cables and support brackets as indicated.

This will ensure that the throttle cables will not move or jump out of position .





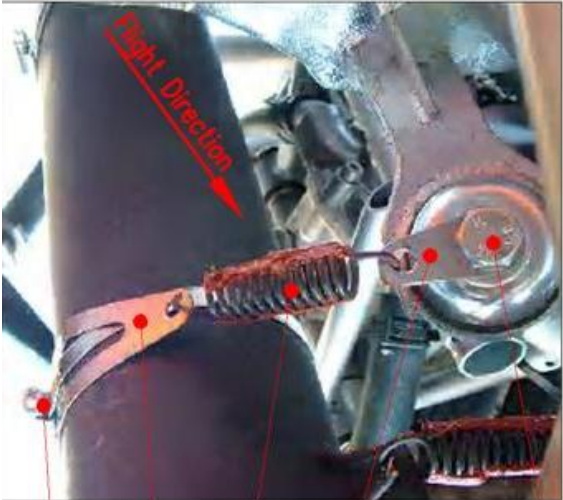
Section 132 Exhaust strap system

No.	Description	Qty each	Qty Total	Part No:
1	Bolt M10 x25	4	4	
2	M10 washer	4	4	
3	Plate	4	4	CH-00-68305
4	Spring	4	4	CH-00-68308
5	Strap	2	2	CH-00-68309
6	Hose clamps 60/80 + 20/23	2	2	

Note: Apply locktite 243 to all 4 bolts and washers.
Apply heat resistant silicone to all the springs on the exhaust and strap systems.

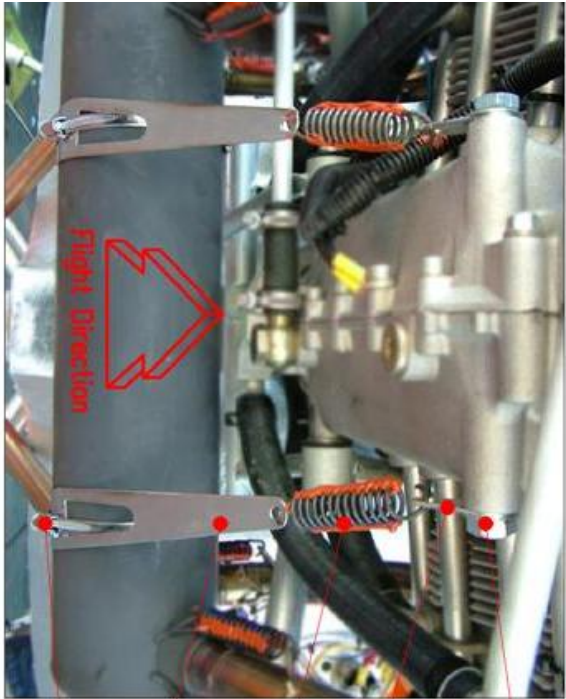


Section 132_1 Exhaust strap system



Rear view

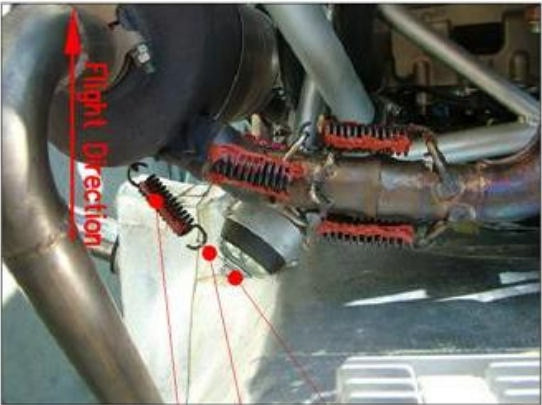
- 1
- 2
- 3
- 4
- 5
- 6



Front view

- 1
- 2
- 3
- 4
- 5
- 6

Locktite 243



Side view

- 1
- 2
- 3
- 4



Front view

- 1
- 2
- 3
- 4
- 5
- 6



Section 133 **Decals installation**

Cheetah

By Rainbow Aircraft

