

Electronic module with π -Filter, ROTAX Engine Series 912 A**Mandatory**

- Subject:** Exchange of both SMD electronic modules, part-no. 965 356.
- Engines affected:** All engines of series 912 A , from engine serial-no. 4,076.064 onwards to engine serial-no. 4,380.753, installed in aircraft certified to JAR-VLA or equivalent requirements. In serial production the new type electronic module is installed beginning with engine serial-no. 4,380,754 onwards, and therefore no action is required from that engine serial-no. and higher.
- Reason:** Electronic modules with integrated π -Filter protect the ignition unit from electromagnetic interference. Resulting from respective EMI-tests with modified electronic modules, the exchange of the electronic modules used up to engine serial no. 4,380.753 is considered necessary. All affected engines have to be retro-fitted therefore with the new modules part no. 965 358.
- Compliance:** On all engines affected, this measure has to be taken **at the next 100 hours check**, but at the **latest of 31th of december 1995**.
- Remedy:** Installation of the two electronic modules part-no. 965 358 according to the following instructions. These electronic modules are equal in size and shape and therefore directly exchangeable.
- Accomplishment:** The necessary measures have to be taken and confirmed by the engine producer or by persons entitled from the Aviation Authorities.
- Approval:** The statement of this Technical Bulletin has been approved by ACG at **24.08.1995**

Gunskirchen, 1995 08 16

Instructions

Consult also Illustration 1, 2, 3 and 4 on page 3 and 4.

- 1) Disconnect minus terminal of aircraft battery.
- 2) Cut snap tie ① of plug receptacle. Remove both Allen screws ② M5x25 along with lock washer ③ and washer ④ . Mark and unplug both 4-pole plug connections ⑤ of pick-up lines, the plug connection of the red charging lines ⑥ and the plug connection of the brown stop lines ⑦ Mark and unplug the plug connections of the yellow ⑧ and white line ⑨, of the threefold cable cord leading to the ignition coils. By removing hex. hd. screw ⑩ detach the grounding cables ⑪ (one each per electronic module). Both electronic modules can be taken off now.
- 3) Connect the new type of electronic modules part-no. ⑫ . 965 358 in reversed sequence according to the marking or as shown on the wiring diagram (Ill. 4) and place the two electronic modules back to back on ignition coil bracket ⑬.

◆ **NOTE:** The two modules are identical and are marked on the front side with a serial and part number. The 4-pole plug for ignition circuit "A", marked blue and red on end of insulation hose shall be connected to the top module.

Attach electronic modules along with both cable assemblies, cable clamps ⑮ and grounding cable ⑯ with Allen screw ② M5x25. Attachment on the other side by Allen screw ② M5x25 and lock washer ③ and washer ④.

■ **ATTENTION:** The metal braid ⑰ over the two cable assemblies has to rest completely in the cable clamp ⑮.

For traction relief secure again both 4-pole plugs with snap tie ①. Attach all 5 grounding cables with the hex.hd. screw ⑩ M6x16 and lock washer on intake manifold.

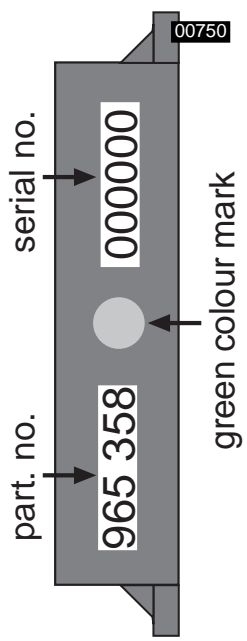
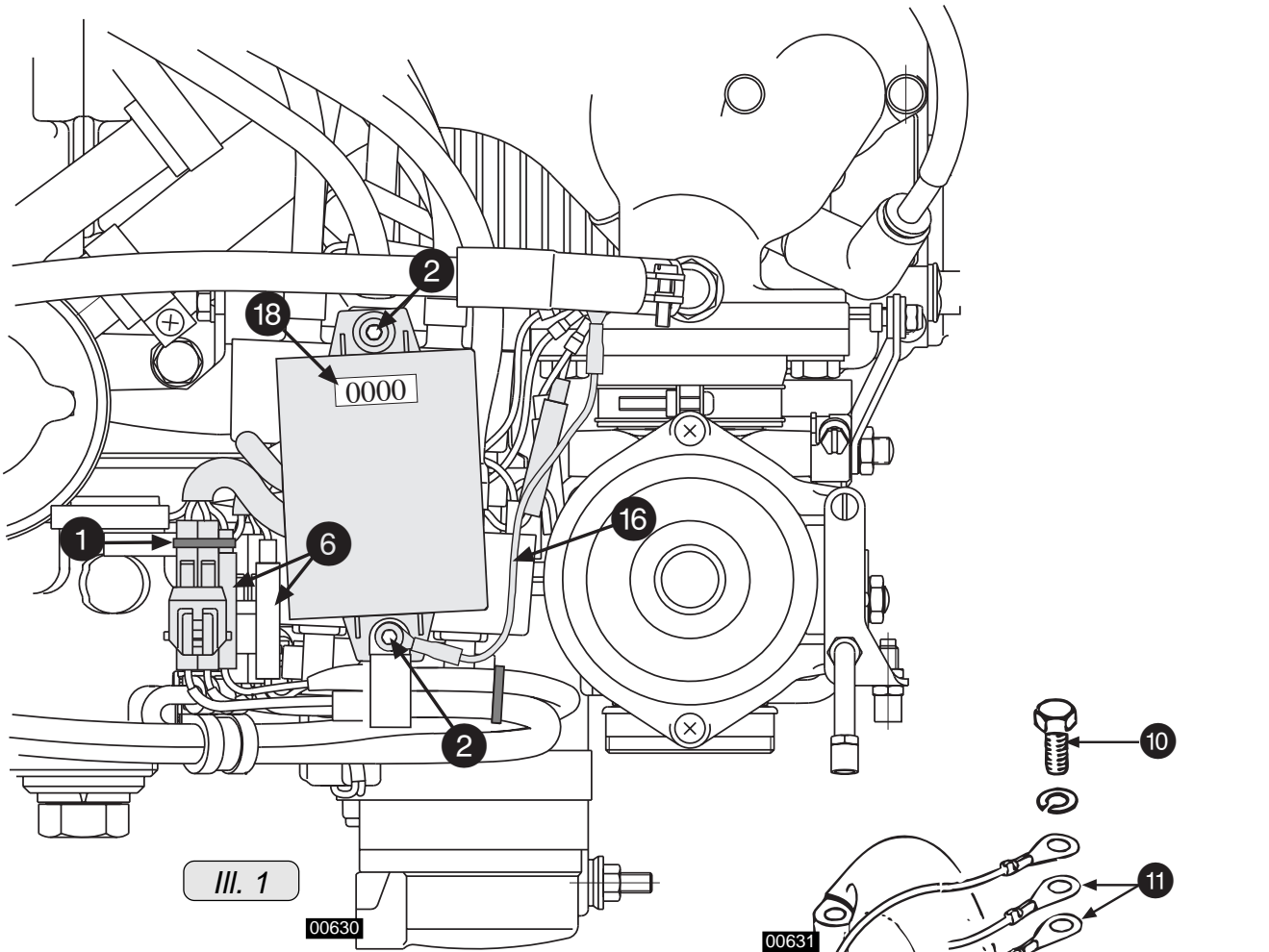
The complete ignition unit is company tested and furnished with a serial number ⑰.

◆ **NOTE:** This 4-digit number on top side of electronic module has to be fastened on the new type of electronic module.

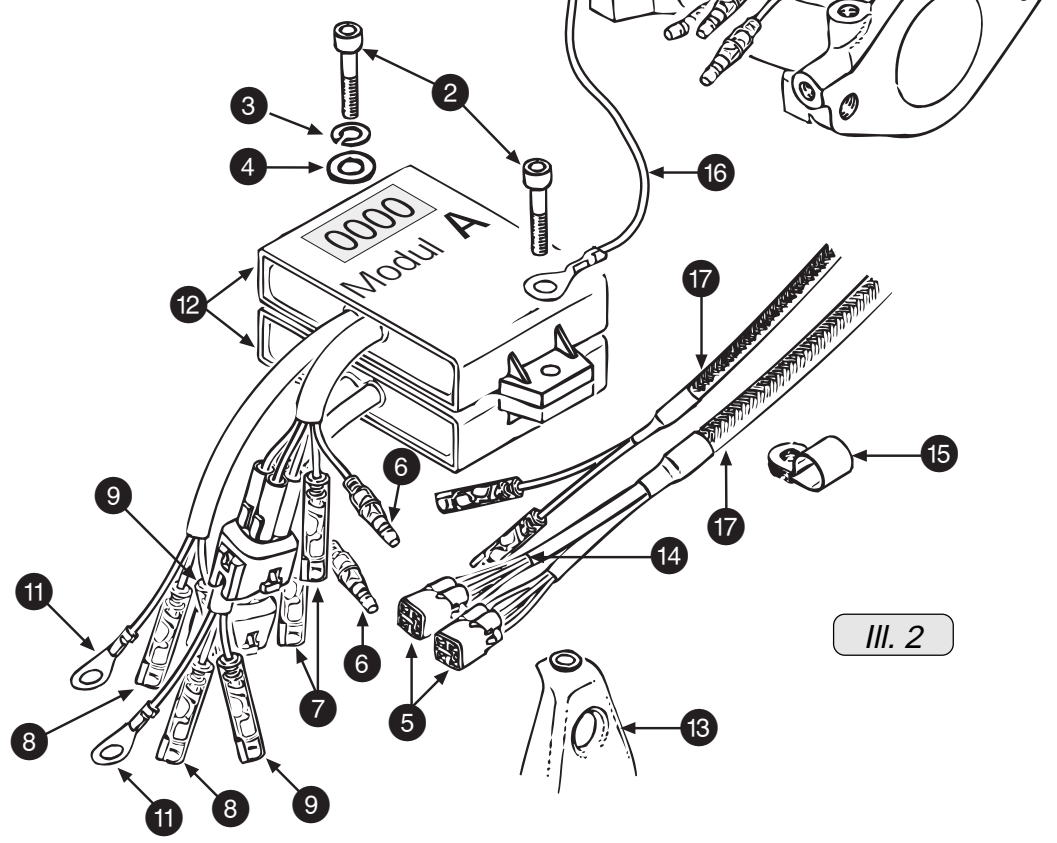
- 4) Reconnect minus terminal of the aircraft battery.
- 5) Conduct ignition check.
- 6) New parts necessary

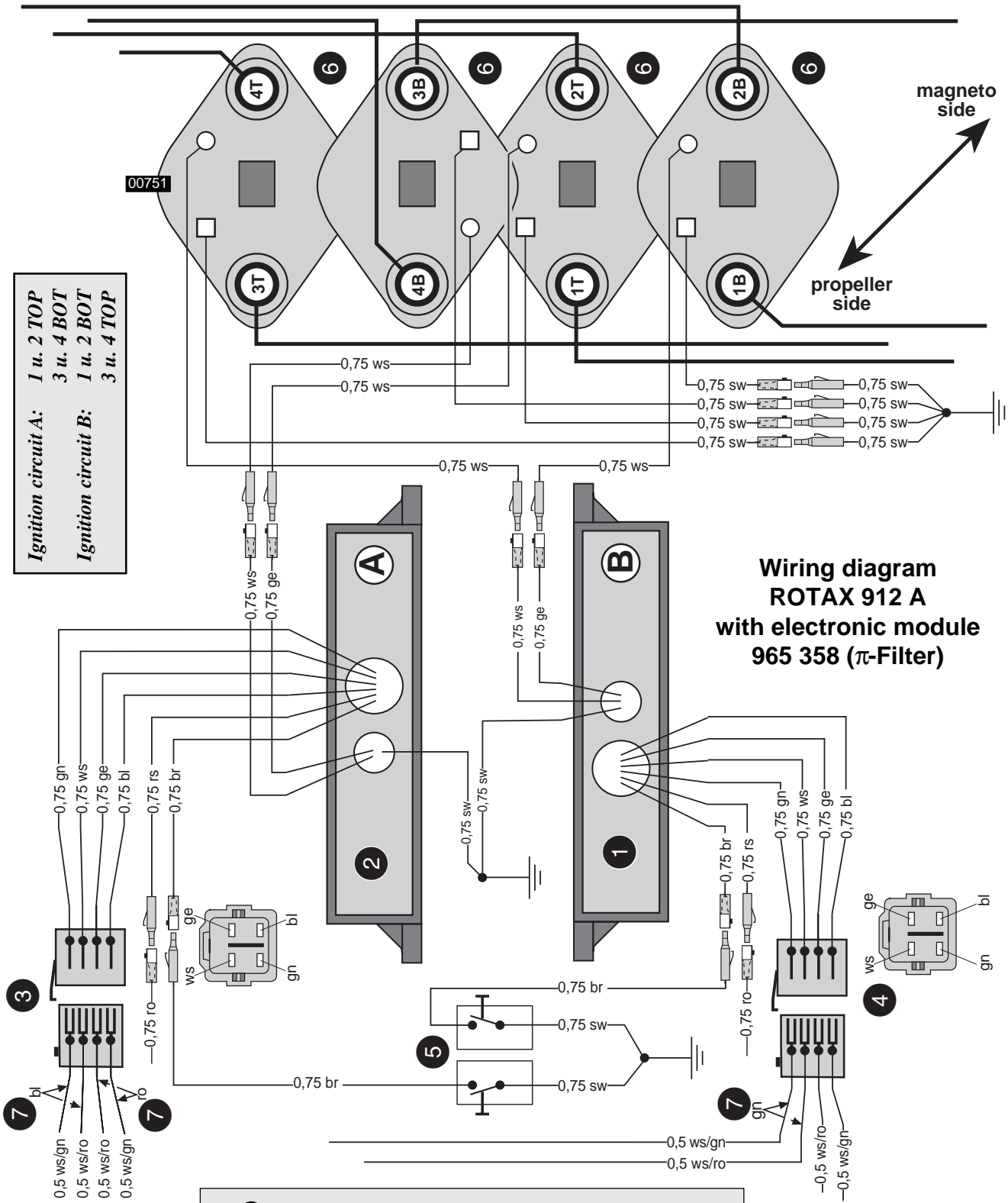
2x 965 358 electronic module
1x 866 710 cable strap

▲ **WARNING:** Failure to comply with this TB could result in engine damage and personal injury.



III. 3





Ignition circuit A: 1 u. 2 TOP
3 u. 4 BOT

Ignition circuit B: 1 u. 2 BOT
3 u. 4 TOP

**Wiring diagram
ROTAX 912 A
with electronic module
965 358 (π-Filter)**

- ① electronic module for ignition circuit "B"
- ② electronic module for ignition circuit "A"
- ③ 4-pole plug for ignition circuit "A"
- ④ 4-pole plug for ignition circuit "B"
- ⑤ stop switch for ignition circuit "A" and "B"
- ⑥ double ignition coil
- ⑦ colour marking

bl blue
br brown
ge yellow
gn green
ro red
rs rosa
sw black
ws white